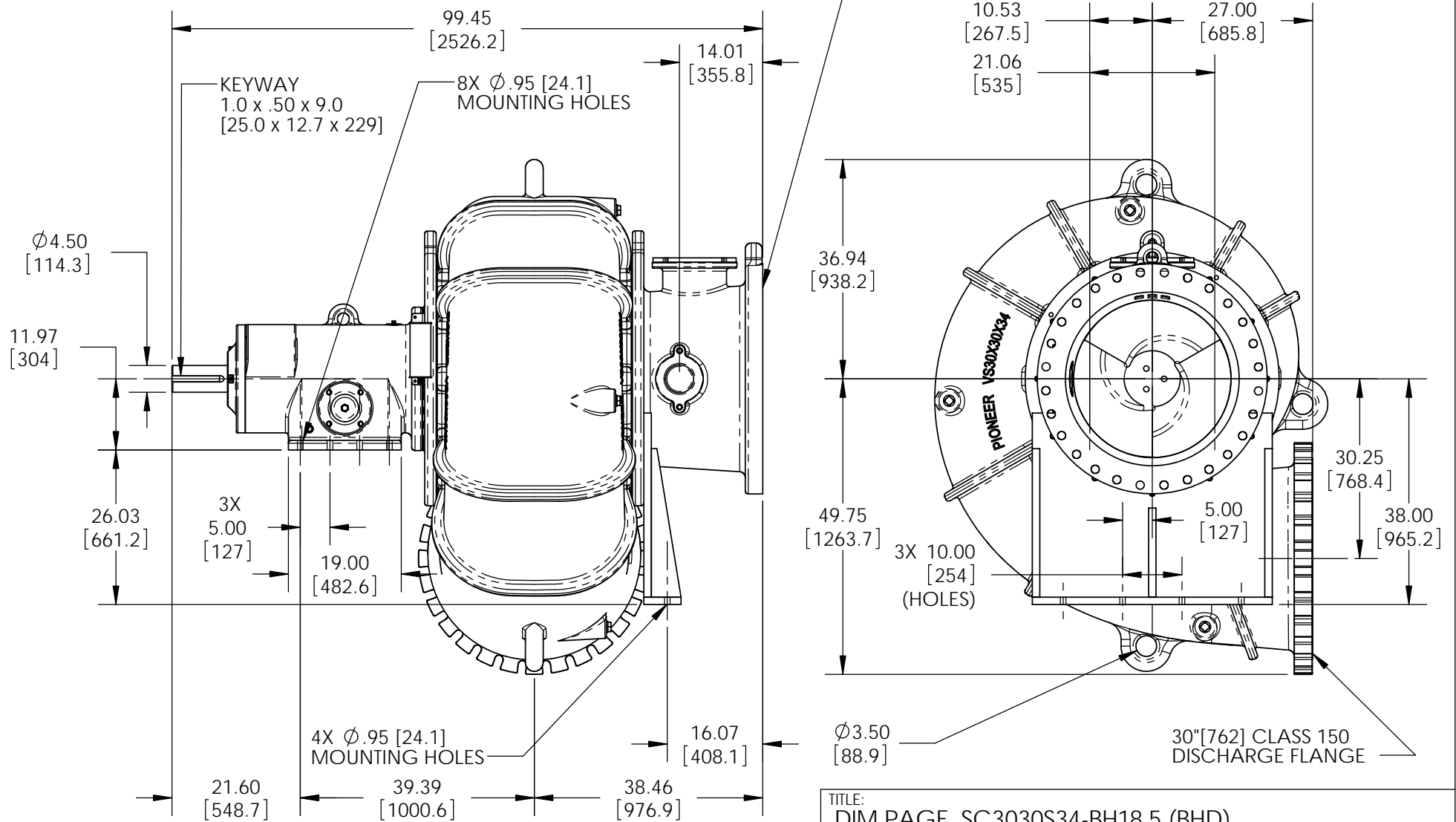


NOTES:

- PIONEER PUMP PART NUMBER IN ( ).
- CAPSCREWS NOT LISTED, USE GRADE 5 MATERIAL.

FITS 30"[762] CLASS 150  
SUCTION FLANGE



TITLE:  
DIM PAGE, SC3030S34-BH18.5 (BHD)

PROPRIETARY AND CONFIDENTIAL  
THE INFORMATION CONTAINED IN THIS DRAWING IS THE SOLE PROPERTY OF PIONEER PUMP, INC. ANY REPRODUCTION IN PART OR AS A WHOLE WITHOUT THE WRITTEN PERMISSION OF PIONEER PUMP, INC. IS PROHIBITED.



WEIGHT:	NAME	DATE	SIZE	DWG. NO.	REV.
	ESW	7/3/2013	<b>A</b>	<b>12530A</b>	<b>-.000</b>
CHECKED BY	XXX	X/X/XXXX	SCALE: 1:2	DO NOT SCALE DRAWING	SHEET 1 OF 1