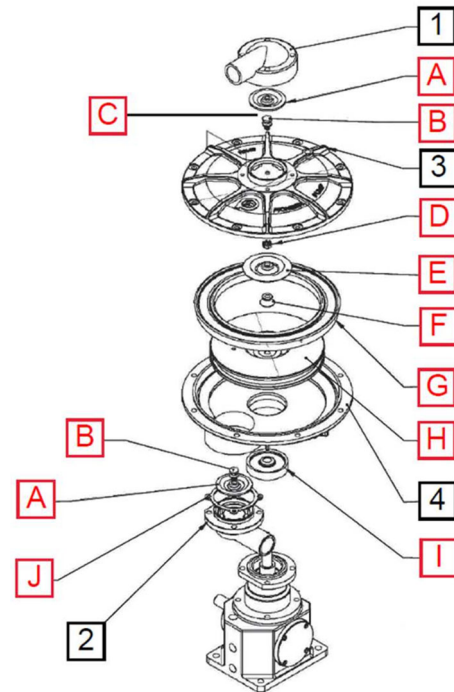


# VACUUM PUMP REBUILD

## UPPER CHAMBER KIT

The upper and lower vacuum pump rebuild kits are offered separately. We recommend ordering both kits for a major service.

PARTS DRAWING – 374000102 UPPER VACUUM PUMP KIT



374000102 – UPPER VACUUM PUMP KIT		
Qty.	Id	Description
2	A	INLET/EXHAUST VALVE
2	B	INLET/EXHAUST VALVE STUD
1	C	COTTER PIN
1	D	CASTLE NUT
1	E	ACTUATOR VALVE
1	F	ACTUATOR WASHER
1	G	ACTUATOR SEAL
1	H	ACTUATOR
1	I	NECK SEAL
1	J	INLET NOZZLE GASKET
8	-	HOUSING FASTENER
1	-	FLAT WASHER

NOT INCLUDED IN KIT		
Id	Description	Part No.
1	EXHAUST NOZZLE	33617320
2	INLET NOZZLE	33617318
3	UPPER HOUSING	33617310
4	LOWER HOUSING	33617309

### ORDERING INFORMATION

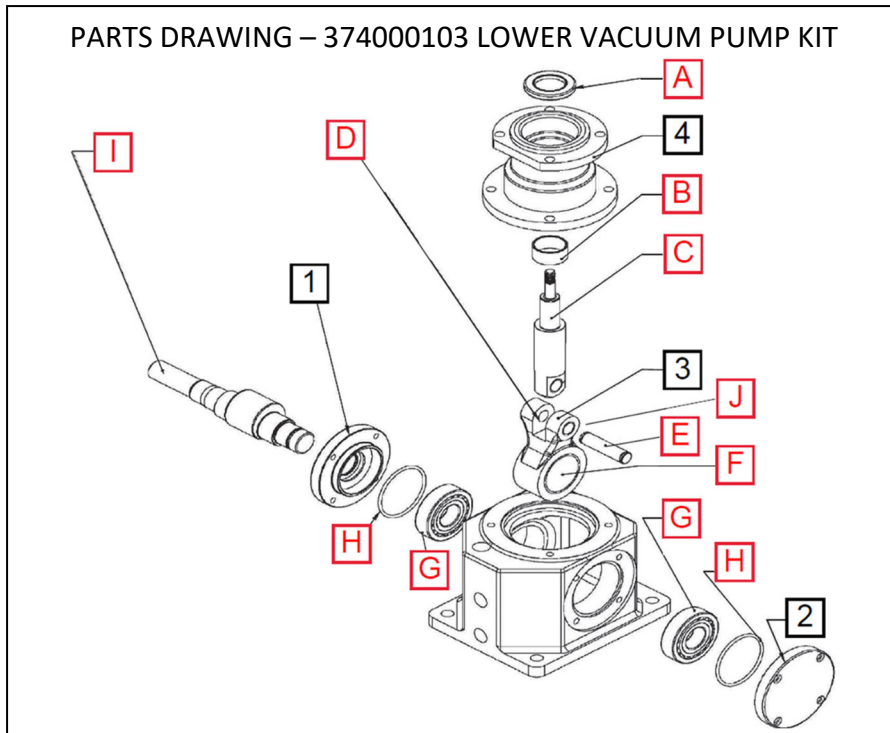
Most parts kits are in stock and available for shipment within 2 business days. You must have an active Franklin Electric account for order processing. Email orders to [PartsSales@pioneerpump.com](mailto:PartsSales@pioneerpump.com). For questions, please call Pioneer Pump at (503) 266-4115 or email us at the above email.

*NOTE: Part numbers listed reflect updated part numbers as of July 2022. Older documentation may have different part numbers. Please consult factory if differences appear. All parts included in kits are standard material. Please contact Pioneer Pump for any special requests regarding the material of component.*

# VACUUM PUMP REBUILD

## LOWER CHAMBER KIT

The upper and lower vacuum pump rebuild kits are offered separately. We recommend ordering both kits for a major service.



### ORDERING INFORMATION

Most parts kits are in stock and available for shipment within 2 business days. You must have an active Franklin Electric account for order processing. Email orders to [PartsSales@pioneerpump.com](mailto:PartsSales@pioneerpump.com). For questions, please call Pioneer Pump at (503) 266-4115 or email us at the above email.

374000103 – LOWER VACUUM PUMP KIT		
Qty.	Id	Description
1	A	ACTUATOR SHAFT LIP SEAL
1	B	ACTUATOR SHAFT GUIDE BUSHING
1	C	ACTUATOR SHAFT WITH BUSHING
2	D	CONNECTING ROD BUSHING, SMALL
1	E	FULCRUM PIN
1	F	CONNECTING ROD BEARING, LARGE
2	G	SHAFT END BEARING
2	H	BEARING CAP O-RING
1	I	CRANK SHAFT
1	J	FULCRUM PIN RETAINING RING
1	-	BEARING LOCKNUT
1	-	BEARING LOCKWASHER
1	-	BEARING CAP LIP SEAL
1	-	PEDESTAL O-RING
1	-	THUMBSCREW
4	-	STUD ASSEMBLY

NOT INCLUDED IN KIT		
Id	Description	Part No.
1	BEARING CAP, SHAFT END	33602316
2	CONNECTING ROD	33603314
3	PEDESTAL	33601312
4	BEARING CAP, REAR	33602317

*NOTE: Part numbers listed reflect updated part numbers as of July 2022. Older documentation may have different part numbers. Please consult factory if differences appear. All parts included in kits are standard material. Please contact Pioneer Pump for any special requests regarding the material of component.*