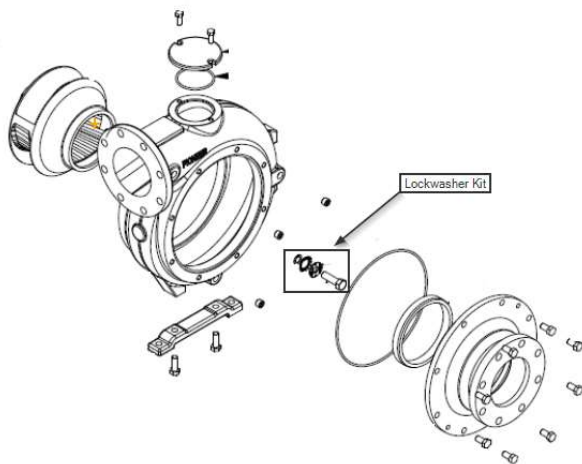


SERVICE PARTS KITS

LOCKWASHER KITS

The lock washer kits are offered separately based on pump model size. Note that not all pumps require the addition of a washer. For pumps not listed below please contact our parts department.



Pump (Clear)	Lock washer Kit#
315C75	37500100
32C10	37500100
32C75	37500100
425C10	37500100
425C75	37500100
43C10	37500100
43C21	37500121
43C75	37500100
44C75	37500100
53C14	37500121
54C75	37500100
63C17	37500121
64C10	37500100
64C14	37500121
64C17	37500121
64C21	37500121
66C14	37500121
86C14	37500121
86C17	37500121
86C17B	37500121
86C21	37500151
1010C14	37500121
108C18	37500121

Pump (Solids)	Lock washer Kit#
44S10	37500111
44S8	37500133
44S8B	37500133
64S12	37500121
64S17	37500141
66S10	37500133
66S12	37500121
66S14	37500121
86S17	37500141
88S12	37500121
108S17	37500161
128S20	37500111
128S22	37500111
1818S22	37500161

LOCK WASHER KIT ITEM#	
QTY	Component Description in Kit

37500121	
1	IMP SCRW .75-10UNCx2.50 17PH
1	IMPELLER LOCK WASHER .75 BORE
1	TONG WASHER, FORMED, 3/4-10 LW
1	WASHER FOR MS-172207

37500133	
1	IMP SCRW .75-10UNCx2.25 17PH
1	IMPELLER LOCK WASHER .75 BORE
1	TONG WASHER, FORMED, 3/4-10 LW
1	WASHER FOR MS-172207

37500141	
1	IMP SCRW .75-10UNCx2.50 17PH
1	IMPELLER LOCK WASHER .75 BORE
1	TONG WASHER, FORMED,

37500151	
1	IMP SCRW 1.0-8UNCx3.50 17-4
1	IMPELLER WASHER 86C21/108C24
1	TONG WASHER, FORMED, 1.0-8 LW,
1	WASHER FOR MS-172212

37500100	
1	IMP SCRW .50-13UNC x 1.50 17-4
1	LOCK WASHER, C75 THRU C10 IMPE
1	TONG LOCK WASHER, C75 THRU C1

37500111	
1	IMP SCRW .63-11UNC x 2.75 17-4
1	WASHER, IMPELLER LOCK.63 SCREW
1	TONG WASHER, FORMED, 3/4-10 LW
1	WASHER FOR .63 SCREW, MS-17220

37500161	
1	IMP SCREW 1.25-7UNCx3.0 316SS
1	IMPELLER LOCK WASHER FOR 1.25
1	WASHER, CENTERING FOR 1.25 DIA
1	TONG WASHER, FORMED, 1.25-7,

37500111	
1	IMP SCRW .63-11UNC x 2.25 17-4
1	WASHER, IMPELLER LOCK.63 SCREW
1	TONG WASHER, FORMED, 3/4-10 LW
1	WASHER FOR .63 SCREW, MS-17220

ORDERING INFORMATION

Most parts kits are in stock and available for shipment within 2 business days. You must have an active Franklin Electric account for order processing. Email orders to PartsSales@pioneerpump.com For questions, please call Pioneer Pump at (503) 266-4115 or email us at the above email.