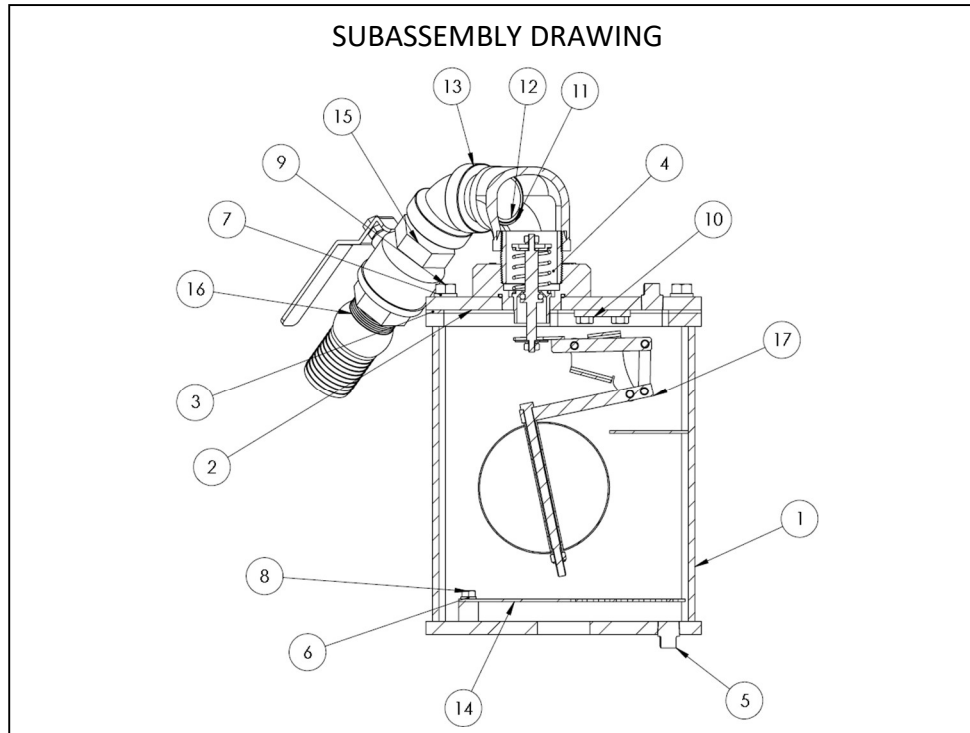


SERVICE SUBASSEMBLIES

MODELS: COMPACT PRIMING CHAMBER



Qty.	Kit No.	Description	Part Number
1	1	PRIMING CHAMBER	103156969
1	2	LID	104157207
1	3	GASKET, LID	318486974
1	4	VALVE, PRIMING, SUBASSY	106003704C
1	5	½" NPT PIPE PLUG	31138103
1	6	WASHER, SPLIT LOCK, 5/16" 304SS	37821213
1	7	WASHER, SPLIT LOCK, 1/2" PLATED	32839401
1	8	BOLT, 5/16-18 x 0.75" GR 5	37621031C075
1	9	BOLT, 1/2-13 x 1.25" GR 5	32632050C125
1	10	BOLT, 3/8-16 x 0.625" 304SS	37621038C062
1	11	ELBOW, 2" x 1-1/2" NPT, 90°	30838110
1	12	NIPPLE, 1-1/2" NPT, CLOSE	30638311
1	13	ELBOW, 1-1/2" NPT 45°	30838133
1	14	STRAINER PLATE	102216896
1	15	BALL VALVE, 1-1/2", BRONZE	32200102
1	16	KING NIPPLE 1-1/2" MPT x 2" HOSE	31638104
1	17	LINKAGE ASSEMBLY, GEN3 FIXED BALL	1060016945

ORDERING INFORMATION

Most parts kits are in stock and available for shipment within 2 business days. You must have an active Franklin Electric account for order processing. Email orders to PartsSales@pioneerpump.com. For questions, please call Pioneer Pump at (503) 266-4115 or email us at the above email.

NOTE: Part numbers listed reflect updated part numbers as of July 2022. Older documentation may have different part numbers. Please consult factory if differences appear. All parts included in kits are standard material. Please contact Pioneer Pump for any special requests regarding the material of component.