

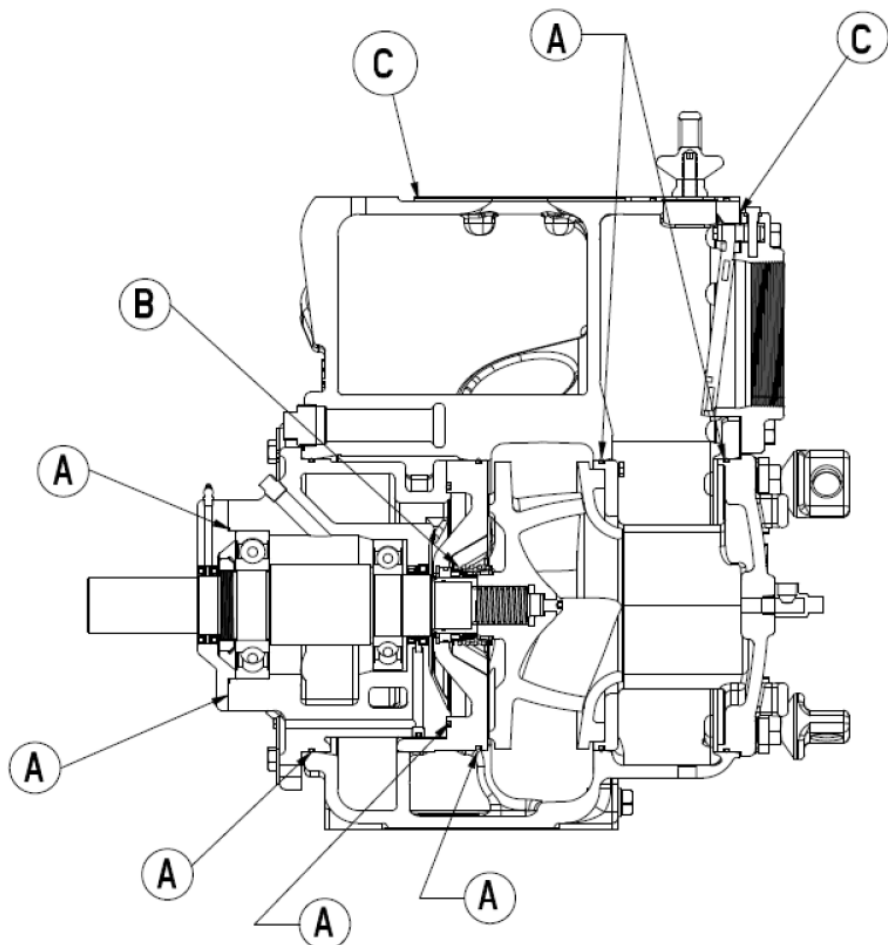


SEAL PARTS KIT

PUMP MODEL: GT6

The mechanical seal kit and bearing frame kits are offered separately. We recommend ordering both kits for a major service. Both the Mechanical Seal and Bearing Frame kits include all O-rings needed for service.

PARTS DRAWING – 372000138 MECHANICAL SEAL PARTS KIT



372000138 - Mechanical Seal Kit

| Qty | Id | Description |
|-----|----|---------------------------|
| 1 | A | O-RING SET |
| 1 | B | MECHANICAL SEAL |
| 1 | C | SUCTION/DISCH. GASKETS |
| 1 | - | P-80 LUBRICANT, 10ML TUBE |

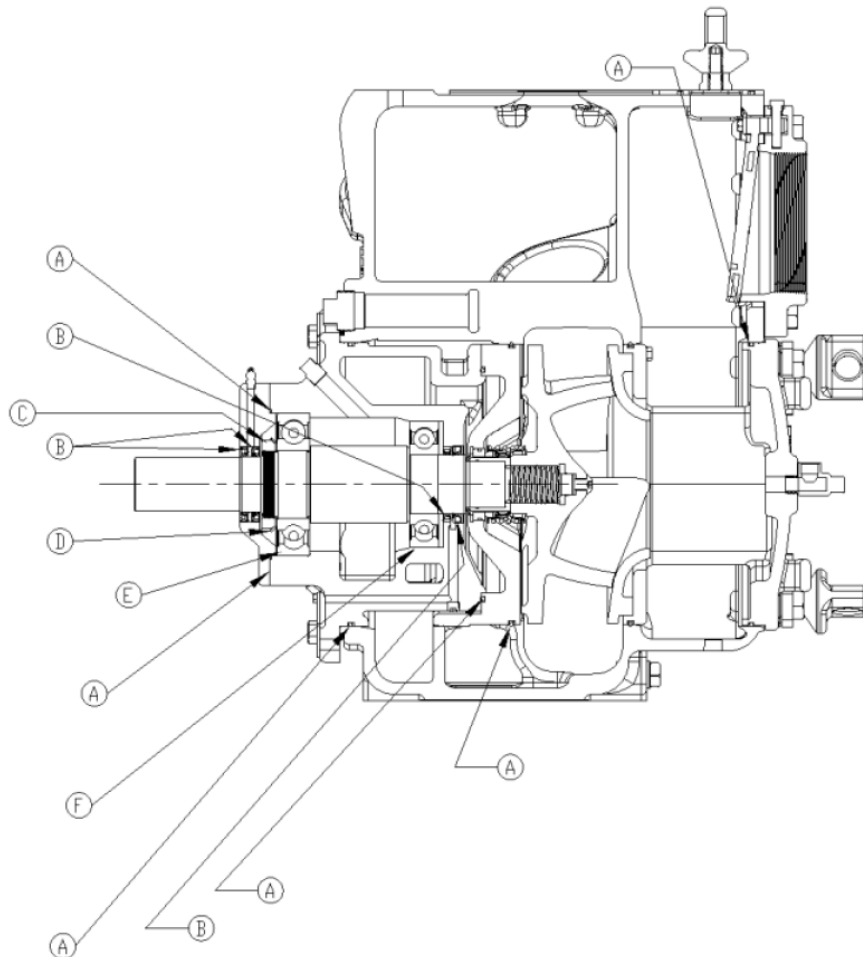


BEARING PARTS KIT

PUMP MODEL: GT6

The mechanical seal kit and bearing frame kits are offered separately. We recommend ordering both kits for a major service. Both the Mechanical Seal and Bearing Frame kits include all O-rings needed for service.

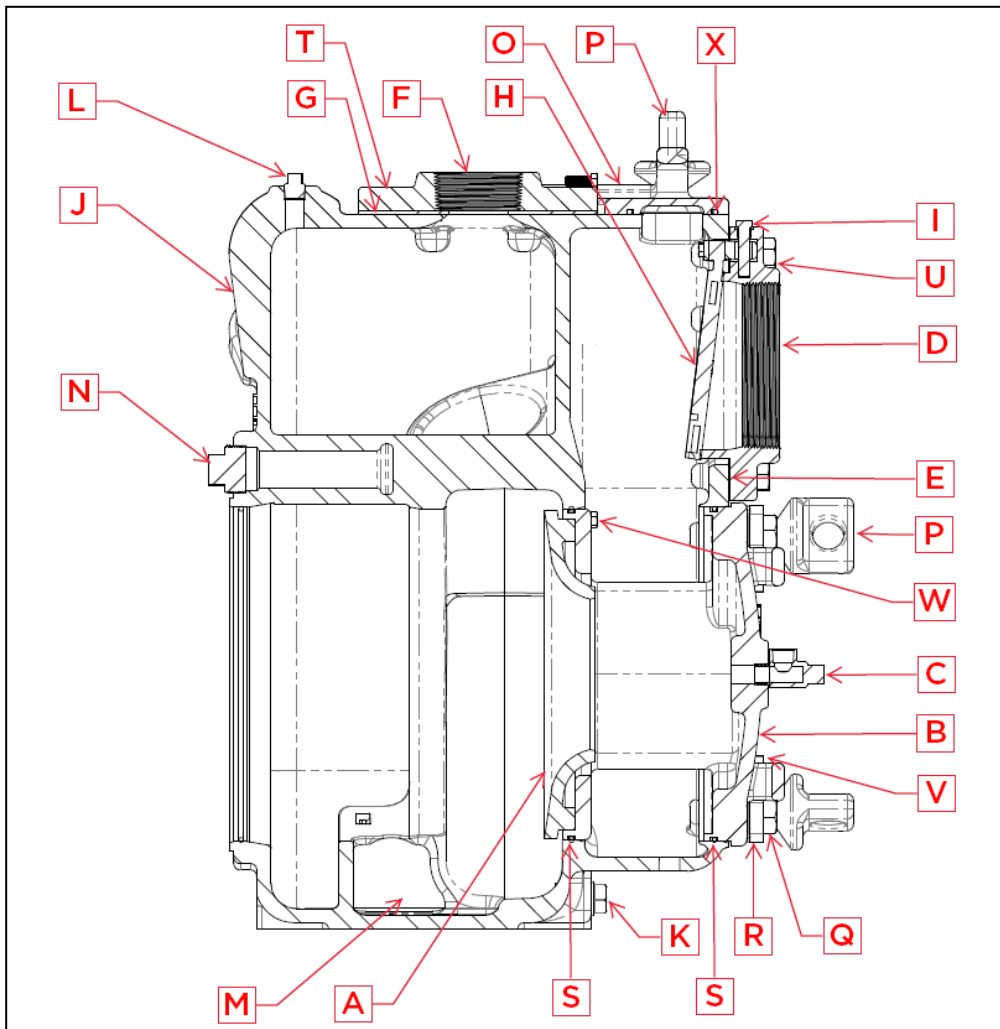
PARTS DRAWING – 373000136 BEARING FRAME PARTS KIT



| 373000136 – Bearing Frame Kit | | |
|-------------------------------|----|------------------|
| Qty | Id | Description |
| 1 | A | O-RINGS |
| 4 | B | LIP SEALS |
| 1 | C | BEARING NUT |
| 1 | D | BEARING WASHER |
| 1 | E | OUTBOARD BEARING |
| 1 | F | INBOARD BEARING |
| 1 | - | SHAFT KEY |

WET END PARTS

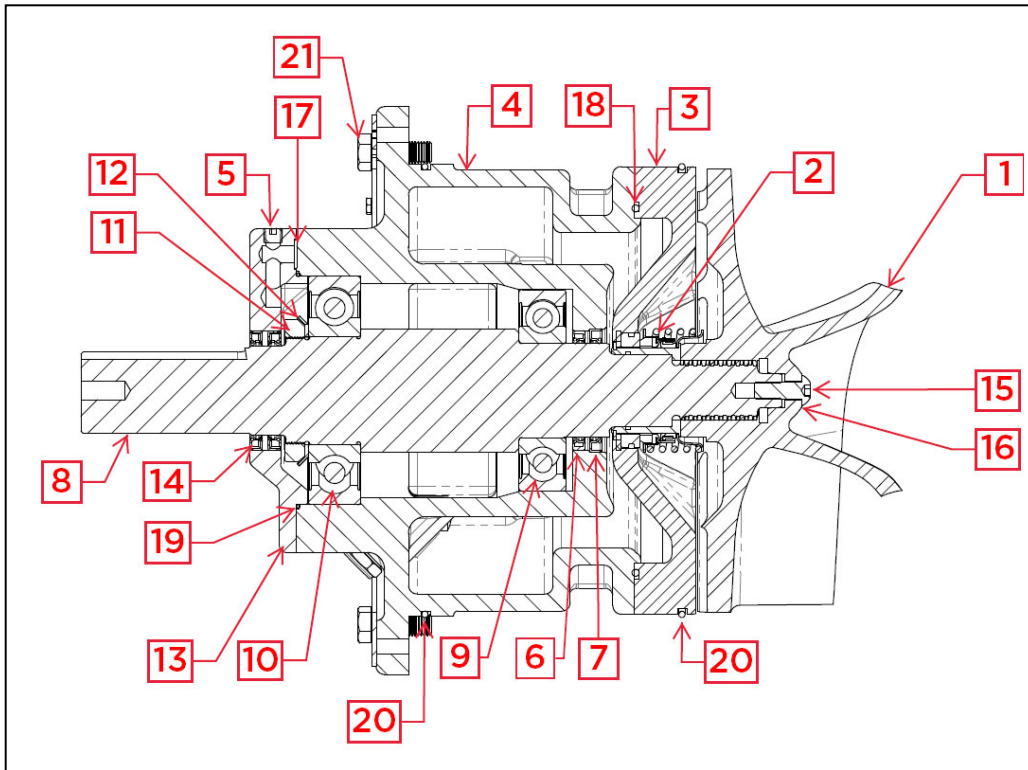
PUMP MODEL: GT6 (STD MATERIALS)



| Qty | Id | Item # | Description |
|-----|----|--------------|------------------------------|
| 1 | A | 2340115029 | WEAR PLATE GT6 CI |
| 1 | B | 2080113292 | INSPECTION COVER |
| 1 | C | 32216122 | RELIEF VALVE 1/2 NPT 150 PSI |
| 1 | D | 2520114688 | COMPANION FLANGE SUCTION |
| 1 | E | 3185214225 | GASKET, SUCTION N-400 |
| 1 | F | 2520114692 | COMPANION FLANGE DISCH. |
| 1 | G | 31871102 | 6" FULL FACE FLANGE GASKET |
| 1 | H | 2314715367 | FLAPPER VALVE, BUNA SOFT |
| 1 | I | 2381314346 | PIN, FLAPPER VALVE 1045 |
| 1 | J | 2100414829 | CASE VOLUTE, DI |
| 1 | K | 31138105 | PLUG SQ. HD. 1" NPT |
| 1 | L | 31138103 | PLUG SQ. HD. 1/2" NPT |
| 1 | M | 31138104 | PLUG SQ. HD. 3/4" NPT |
| 1 | N | 31138120 | PLUG FLUSH 1-1/2" NPT |
| 1 | O | 2110113467 | FLAPPER ACCESS COVER |
| 6 | P | 2400113483 | KNOB STUD ASSEMBLY |
| 4 | Q | 3263213476 | BOLT CUSTOM 1-12UNF x1.25" |
| 4 | R | 2357213474 | RETAINER ADJ SCREW |
| 2 | S | 30147381 | O-RING 2-381 BUNA-N70 |
| 8 | T | 32632075C200 | BOLT .75-10UNC x 2.00 G5 PL |
| 8 | U | 32632075C200 | BOLT .75-10UNC x 2.00 G5 PL |
| 4 | V | 32632038C100 | BOLT .38-16UNC x 1.00 G5 PL |
| 6 | W | 37622038C100 | BOLT .38-16UNC x 1.00 316SS |
| 1 | X | 30147367 | O-RING 2-367 BUNA-N70 |

ROTATING ASSY PARTS

PUMP MODEL: GT6



| Qty | Id | Item # | Description |
|-----|----|------------|---------------------|
| 2 | - | 31339103 | LEVEL PLUG 3/4" NPT |
| 1 | - | 2512114181 | PORT LABEL PLATE |
| 1 | - | 31858118 | TAPERED RUBBER PLUG |

| Qty | Id | Item # | Description |
|-----|----|---------------|-----------------------------|
| 1 | 1 | 2120415031 | IMPELLER, DI |
| 1 | 2 | 3040014842 | SEAL ASSEMBLY, 2.50 ID |
| 1 | 3 | 2150114836 | BACKPLATE, CI |
| 1 | 4 | 2170114833 | BEARING HOUSING, CI |
| 1 | 5 | 31138116 | PLUG FLUSH 1/4" NPT |
| 1 | 6 | 30500194 | LIP SEAL, 3.50" OD |
| 1 | 7 | 30500182 | LIP SEAL, 3.75" OD |
| 1 | 8 | 2202714820 | SHAFT, 17-4PH |
| 1 | 9 | 31900102 | BEARING, IMPELLER END |
| 1 | 10 | 31900135 | BEARING, DRIVE END |
| 1 | 11 | 32100103 | NUT, BEARING |
| 1 | 12 | 32000103 | WASHER, BEARING |
| 1 | 13 | 11801134 | BEARING FRAME COVER |
| 2 | 14 | 30500193 | LIP SEAL |
| 1 | 15 | 37621050SC175 | IMPELLER SCREW |
| 1 | 16 | 114271323 | WASHER, IMPELLER 17-4PH |
| 1 | 17 | 30147018 | O-RING 2-018 BUNA-N70 |
| 1 | 18 | 30147378 | O-RING 2-378 BUNA-N70 |
| 1 | 19 | 30147165 | O-RING 2-165 BUNA-N70 |
| 2 | 20 | 30147381 | O-RING 2-381 BUNA-N70 |
| 8 | 21 | 37621062C200 | BOLT .62-11UNC x 2.00 304SS |
| 4 | - | 32632062C125 | BOLT .62-11UNC x 1.25 G5 PL |
| 1 | - | 31439101 | GREASE FITTING 1/8" NPT STR |
| 4 | - | 37722601 | NUT HVY HEX .62-11UNC 316SS |
| 4 | - | 330214235 | STUD .62-11 x 2.50 304SS |
| 4 | - | 37822602 | WASHER SPLIT LOCK .62 316SS |
| 2 | - | 31138103 | PLUG SQ. HD. 1/2" NPT |



Franklin Electric is a global leader in the manufacturing and distribution of products and systems focused on the movement and management of water.

We offer pumps, motors, drives, and controls for use in a wide variety of agricultural, commercial, industrial, municipal, and residential applications.
