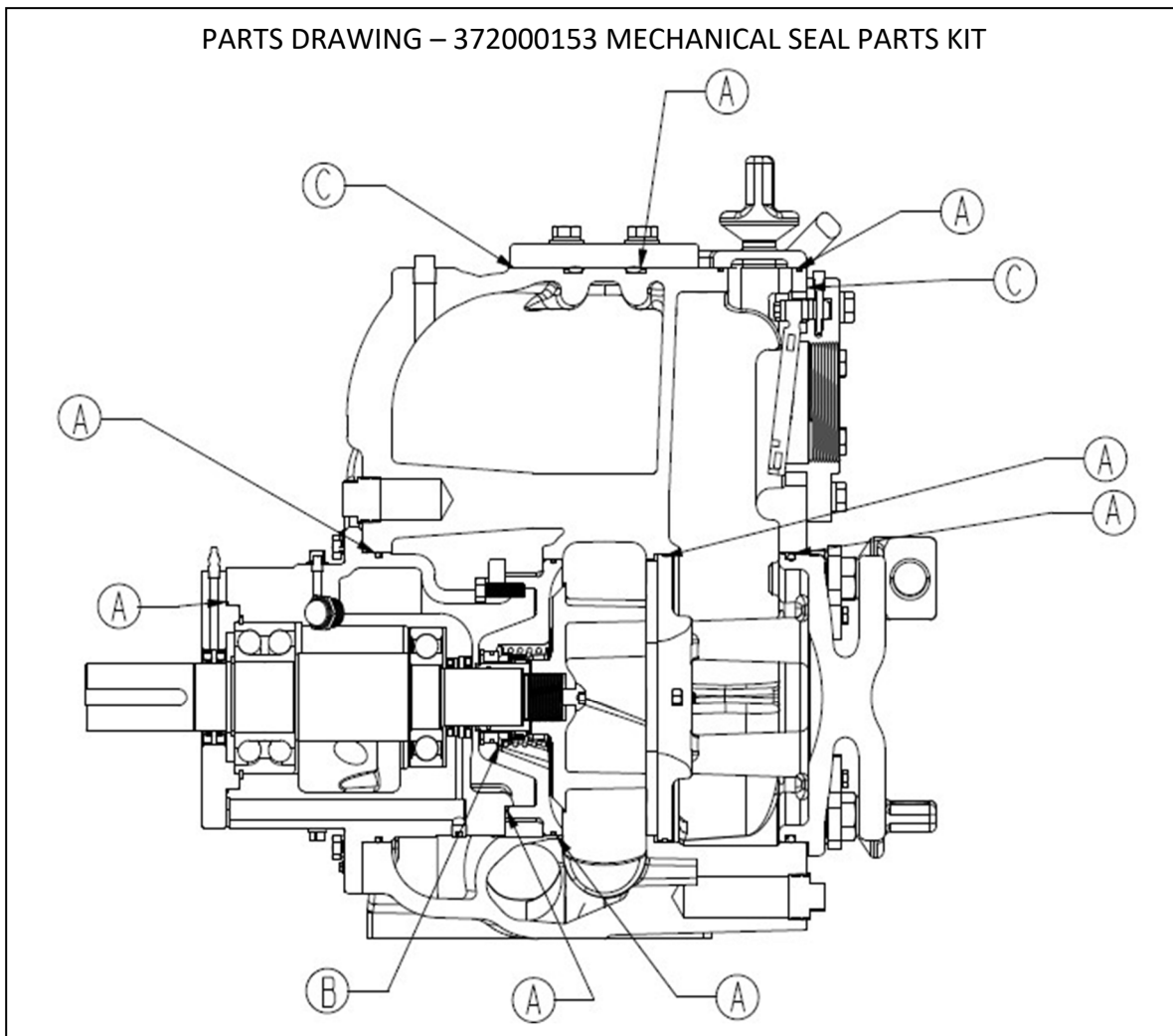




SEAL PARTS KIT

PUMP MODEL: GT4

The mechanical seal kit and bearing frame kits are offered separately. We recommend ordering both kits for a major service. Both the Mechanical Seal and Bearing Frame kits include all O-rings needed for service.



372000153 - Mechanical Seal Kit		
Qty	Id	Description
1	A	O-RING SET
1	B	MECHANICAL SEAL
1	C	SUCTION/DISCH. GASKETS
1	-	P-80 LUBRICANT, 10ML TUBE

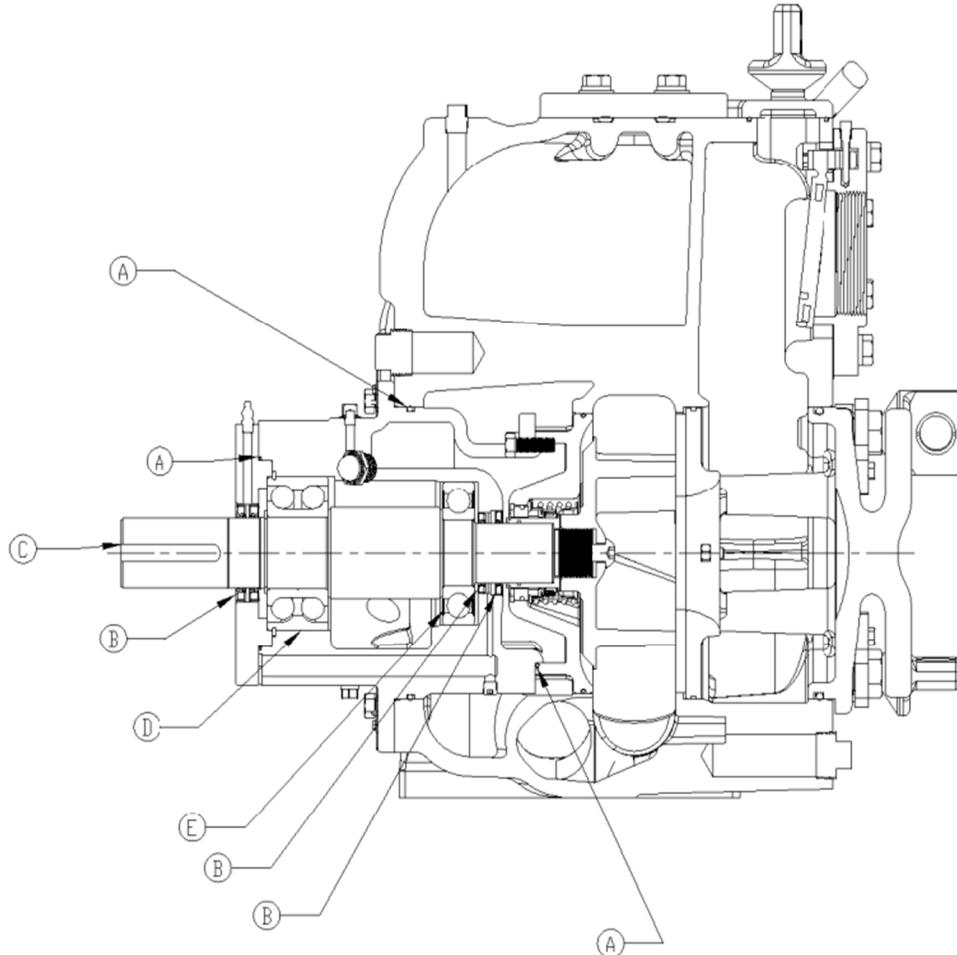


BEARING PARTS KIT

PUMP MODEL: GT4

The mechanical seal kit and bearing frame kits are offered separately. We recommend ordering both kits for a major service. Both the Mechanical Seal and Bearing Frame kits include all O-rings needed for service.

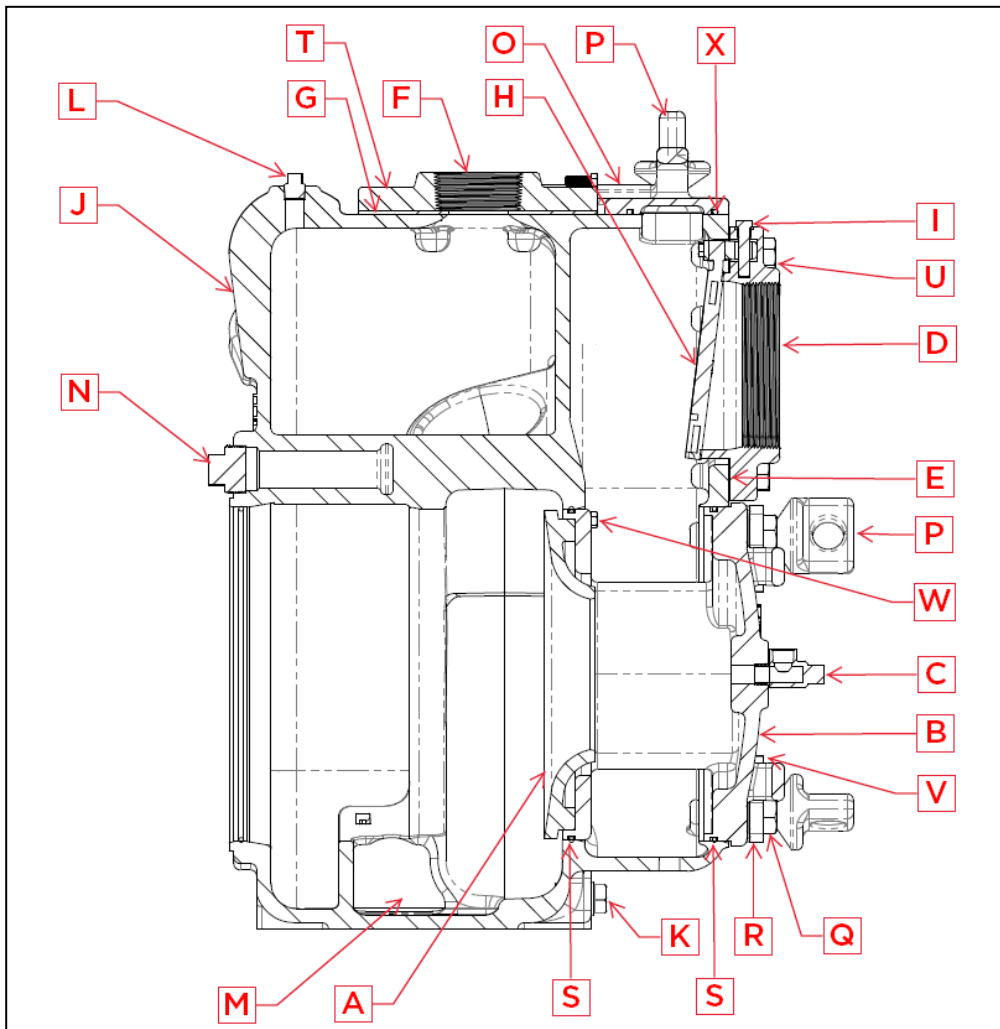
PARTS DRAWING – 373000145 BEARING FRAME PARTS KIT



373000145 – Bearing Frame Kit		
Qty	Id	Description
1	A	O-RING SET
4	B	LIP SEALS
1	C	SHAFT KEY
2	D	OUTBOARD BEARING
1	E	INBOARD BEARING

WET END PARTS

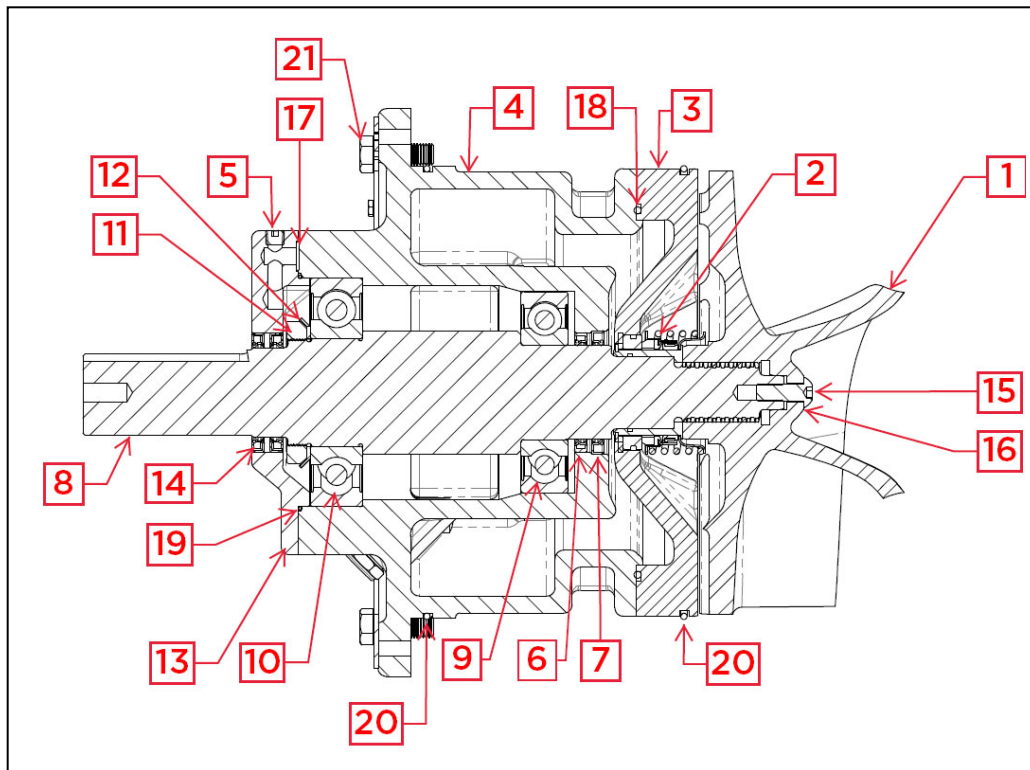
PUMP MODEL: GT4 (STD MATERIALS)



Qty	Id	Item #	Description
1	A	23411693	WEAR PLATE GT4 1018 STEEL
1	B	2080116585	INSPECTION COVER
1	C	32216122	RELIEF VALVE 1/2 NPT 150 PSI
1	D	25201702	COMPANION FLANGE SUCTION
1	E	31852909	GASKET, SUCTION N-400
1	F	2520114743	COMPANION FLANGE DISCH.
1	G	30147359	O-RING 2-359 BUNA-N70
1	H	2314715369	FLAPPER VALVE, BUNA SOFT
1	I	23822704	PIN, FLAPPER VALVE
1	J	2100416583	CASE VOLUTE, DI
1	K	31138112	PLUG SQ. HD. 1-1/4" NPT
1	L	31138111	PLUG SQ. HD. 3/8" NPT
1	M	31138111	PLUG SQ. HD. 3/8" NPT
1	N	31138112	PLUG SQ. HD. 1-1/4" NPT
1	O	2110116586	FLAPPER ACCESS COVER
6	P	2400113483	KNOB STUD ASSEMBLY
4	Q	3263213476	BOLT CUSTOM 1-12UNF x1.25"
4	R	2357213474	RETAINER ADJ SCREW
2	S	30147449	O-RING 2-449 BUNA-N70
8	T	32632062C200	BOLT .62-11UNC x 2.00 G5 PL
8	U	32632062C200	BOLT .62-11UNC x 2.00 G5 PL
4	V	32632038C100	BOLT .38-16UNC x 1.00 G5 PL
6	W	32632050C150	BOLT .50-13UNC x 1.50 G5 PL
1	X	30147258	O-RING 2-258 BUNA-N70

ROTATING ASSY PARTS

PUMP MODEL: GT4



Qty	Id	Item #	Description
1	1	2120416225	IMPELLER, DI
1	2	3040014842	SEAL ASSEMBLY, 2.50 ID
1	3	2280116577	SEAL PLATE, CI
1	4	2170116579	BEARING HOUSING, CI
1	5	31138116	PLUG FLUSH 1/4" NPT
1	6	30500186	LIP SEAL, 2.88" OD
1	7	30500187	LIP SEAL, 3.00" OD
1	8	2202716132	SHAFT, 17-4PH
1	9	31900128	BEARING, IMPELLER END
1	10	31900136	BEARING, DRIVE END
1	11	35300104	SNAP RING
1	13	2180116580	BEARING FRAME COVER
2	14	30500198	LIP SEAL
1	15	32921063C150	IMPELLER SCREW
1	18	30147265	O-RING 2-265 BUNA-N70
1	19	30147165	O-RING 2-165 BUNA-N70
1	20	30147273	O-RING 2-273 BUNA-N70
8	21	32635062SC150	BOLT .62-11UNC x 1.50 G5 PL
2	-	31339103	LEVEL PLUG 3/4" NPT
1	-	2512114724	PORT LABEL PLATE



Franklin Electric is a global leader in the manufacturing and distribution of products and systems focused on the movement and management of water.

We offer pumps, motors, drives, and controls for use in a wide variety of agricultural, commercial, industrial, municipal, and residential applications.
