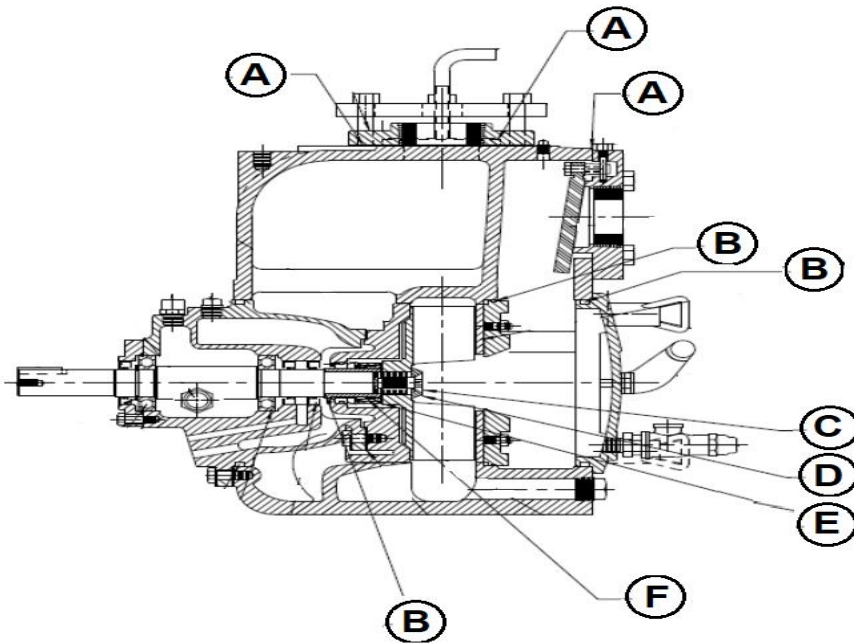


# SERVICE PARTS KITS

## PUMP MODEL: GS3

The mechanical seal kit and bearing frame kits are offered separately. We recommend ordering both kits for a major service. Both the Mechanical Seal and Bearing Frame kits include all O-rings needed for service.

PARTS DRAWING – 372000136 MECHANICAL SEAL PARTS KITS



372000136 - Mechanical Seal Kit		
Qty.	Kit No.	Description
1	A	GASKET KIT, COMPLETE
1	B	O-RING KIT, COMPLETE
1	C	IMPELLER SCREW
1	D	IMPELLER WASHER
1	E	SHIM KIT, COMPLETE
1	F	CARTRIDGE SEAL ASSY

### ORDERING INFORMATION

Most parts kits are in stock and available for shipment within 2 business days. You must have an active Franklin Electric account for order processing. Email orders to [PartsSales@pioneerpump.com](mailto:PartsSales@pioneerpump.com). For questions, please call Pioneer Pump at (503) 266-4115 or email us at the above email.

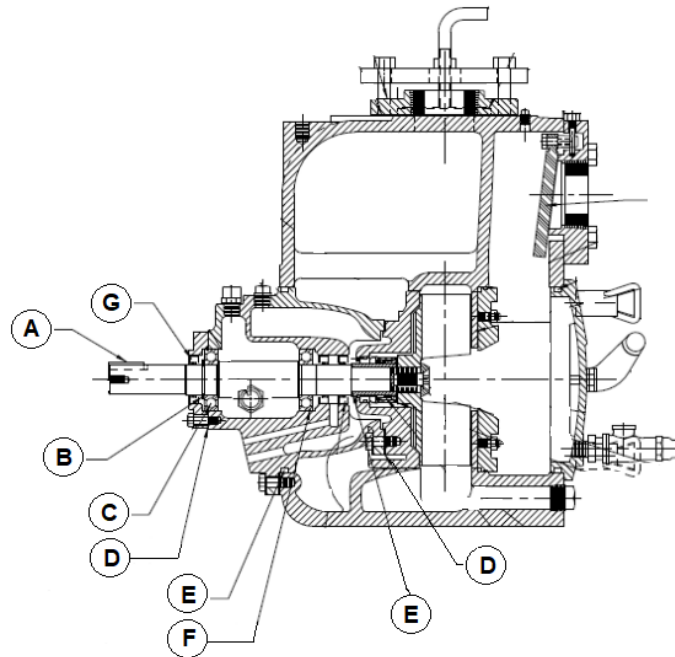
*NOTE: Part numbers listed reflect updated part numbers as of July 2022. Older documentation may have different part numbers. Please consult factory if differences appear. All parts included in kits are standard material. Please contact Pioneer Pump for any special requests regarding the material of component.*

# SERVICE PARTS KITS

## PUMP MODEL: GS3

The mechanical seal kit and bearing frame kits are offered separately. We recommend ordering both kits for a major service. Both the Mechanical Seal and Bearing Frame kits include all O-rings needed for service.

PARTS DRAWING – 373000133 BEARING FRAME KIT



373000133 - BEARING FRAME KIT		
Qty.	Kit No.	Description
1	A	KEY
1	B	SNAP RING
1	C	OUTBOARD BEARING
1	D	GASKET KIT COMPLETE
1	E	O-RING KIT COMPLETE
1	F	INBOARD BEARING
3	G	LIP SEAL

### ORDERING INFORMATION

Most parts kits are in stock and available for shipment within 2 business days. You must have an active Franklin Electric account for order processing. Email orders to [PartsSales@pioneerpump.com](mailto:PartsSales@pioneerpump.com). For questions, please call Pioneer Pump at (503) 266-4115 or email us at the above email.

*NOTE: Part numbers listed reflect updated part numbers as of July 2022. Older documentation may have different part numbers. Please consult factory if differences appear. All parts included in kits are standard material. Please contact Pioneer Pump for any special requests regarding the material of component.*