

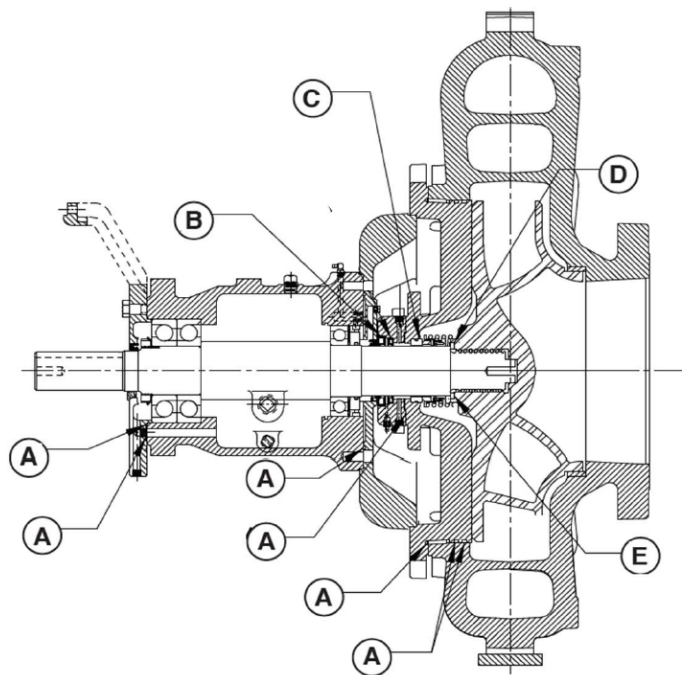


SEAL PARTS KIT

PUMP MODEL: 128S20, 128S22, 108C24

The mechanical seal kit and bearing frame kits are offered separately. We recommend ordering both kits for a major service. Both the Mechanical Seal and Bearing Frame kits include all O-rings needed for service.

PARTS DRAWING – 372000122 MECHANICAL SEAL PARTS KIT



372000122 - Mechanical Seal Kit

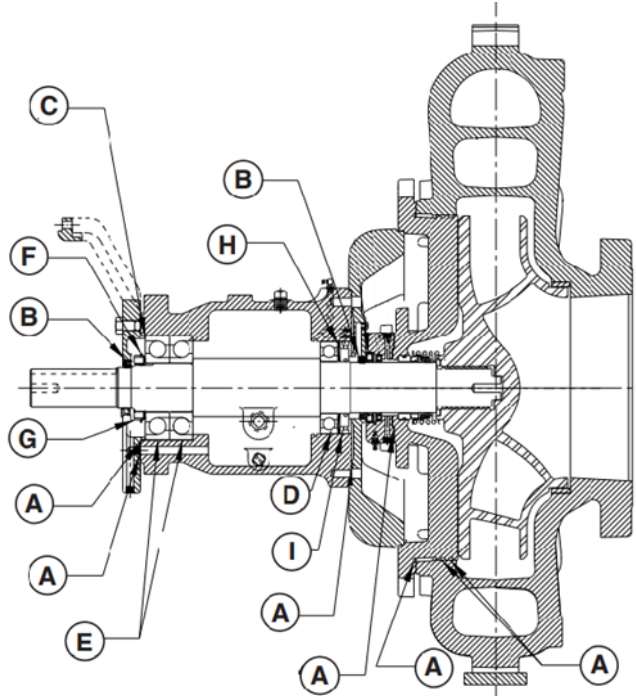
Qty.	Id	Description
1	A	O-RINGS
1	B	CASSETTE SEAL, RUN DRY
1	C	MECHANICAL SEAL
1	D	THRUST WASHER
1	E	IMPELLER SHIM SET
1	-	LOCKWASHER KIT
1	-	SEAL SLEEVE
1	-	P-80 LUBRICANT, 10ML TUBE

BEARING PARTS KIT

PUMP MODEL: 128S22

The mechanical seal kit and bearing frame kits are offered separately. We recommend ordering both kits for a major service. Both the Mechanical Seal and Bearing Frame kits include all O-rings needed for service.

PARTS DRAWING – 373000148 BEARING FRAME KIT



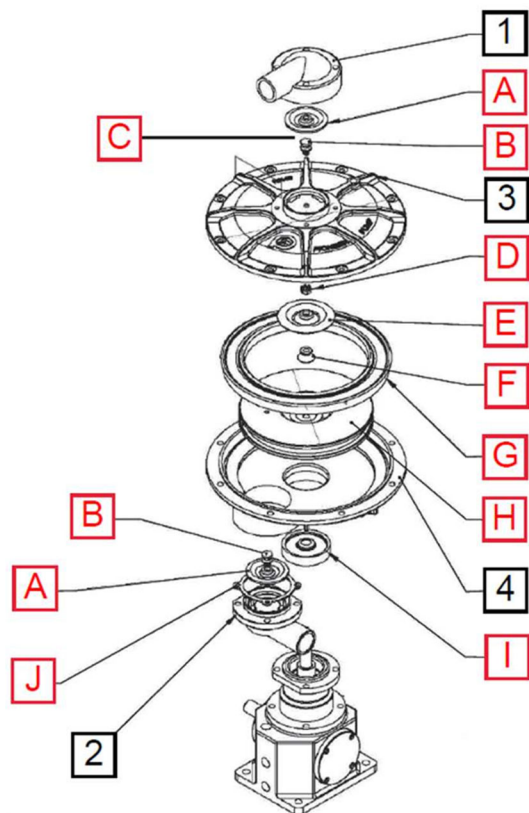
373000148- BEARING FRAME KIT		
Qty.	Id	Description
1	A	O-RING KIT, COMPLETE
1	B	CASSETTE SEAL KIT, 3 PCS
1	C	SHIM KIT, COMPLETE
1	D	PUMP END BEARING
3	E	DRIVE END BEARING
1	F	WASHER, BEARING
1	G	NUT, BEARING
1	H	WAVE SPRING
1	I	BORE SPACER
3	N/A	TAPERED RUBBER PLUG



VACUUM PUMP REBUILD

UPPER CHAMBER KIT

PARTS DRAWING – 374000102 UPPER VACUUM PUMP KIT



374000102 – UPPER VACUUM PUMP KIT

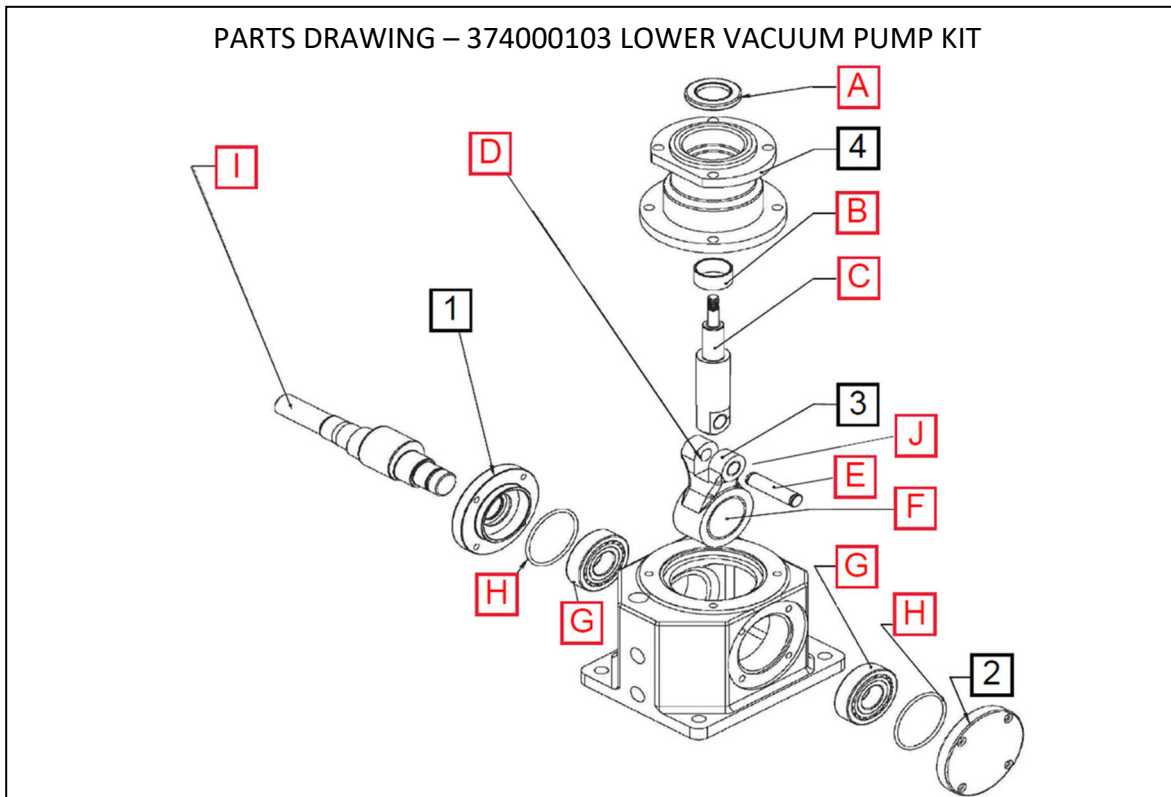
Qty.	Id	Description
2	A	INLET/EXHAUST VALVE
2	B	INLET/EXHAUST VALVE STUD
1	C	COTTER PIN
1	D	CASTLE NUT
1	E	ACTUATOR VALVE
1	F	ACTUATOR WASHER
1	G	ACTUATOR SEAL
1	H	ACTUATOR
1	I	NECK SEAL
1	J	INLET NOZZLE GASKET
8	-	HOUSING FASTENER
1	-	FLAT WASHER

NOT INCLUDED IN KIT

Id	Description	Part No.
1	EXHAUST NOZZLE	33617320
2	INLET NOZZLE	33617318
3	UPPER HOUSING	33617310
4	LOWER HOUSING	33617309

VACUUM PUMP REBUILD

LOWER CHAMBER KIT

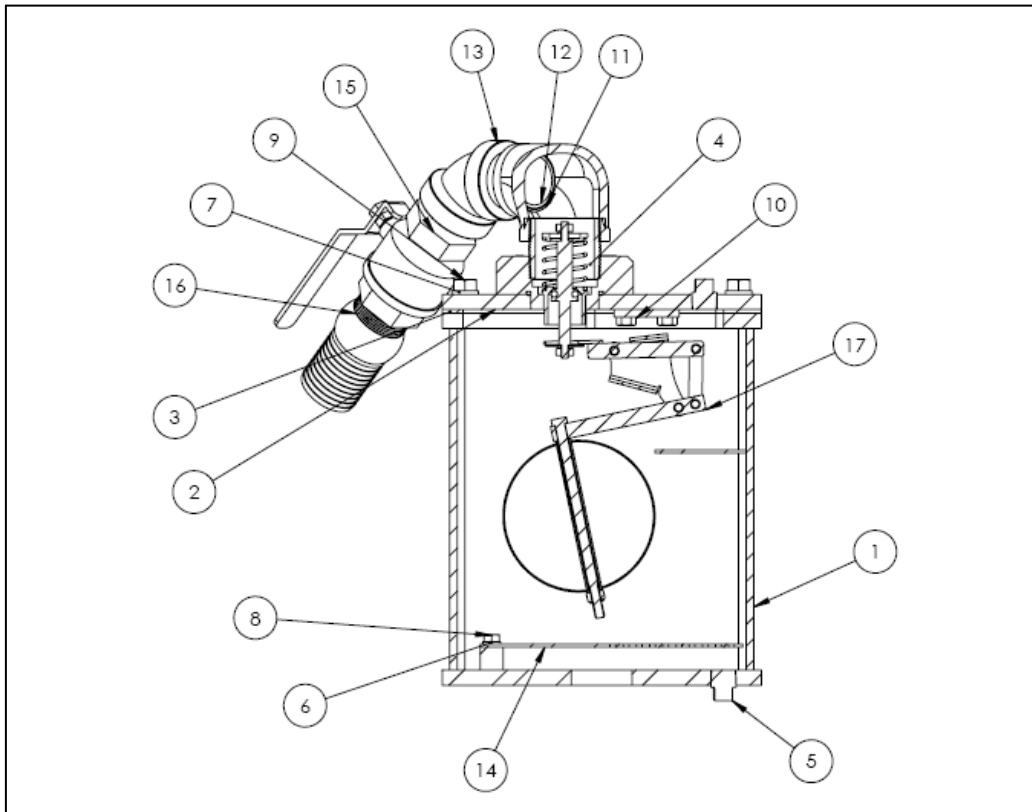


374000103 – LOWER VACUUM PUMP KIT		
Qty.	Id	Description
1	A	ACTUATOR SHAFT LIP SEAL
1	B	ACTUATOR SHAFT GUIDE BUSHING
1	C	ACTUATOR SHAFT WITH BUSHING
2	D	CONNECTING ROD BUSHING, SMALL
1	E	FULCRUM PIN
1	F	CONNECTING ROD BEARING, LARGE
2	G	SHAFT END BEARING
2	H	BEARING CAP O-RING
1	I	CRANK SHAFT
1	J	FULCRUM PIN RETAINING RING
1	-	BEARING LOCKNUT
1	-	BEARING LOCKWASHER
1	-	BEARING CAP LIP SEAL
1	-	PEDESTAL O-RING
1	-	THUMBSCREW
4	-	STUD ASSEMBLY

NOT INCLUDED IN KIT		
Id	Description	Part No.
1	BEARING CAP, SHAFT END	33602316
2	CONNECTING ROD	33603314
3	PEDESTAL	33601312
4	BEARING CAP, REAR	33602317

PRIMING CHAMBER

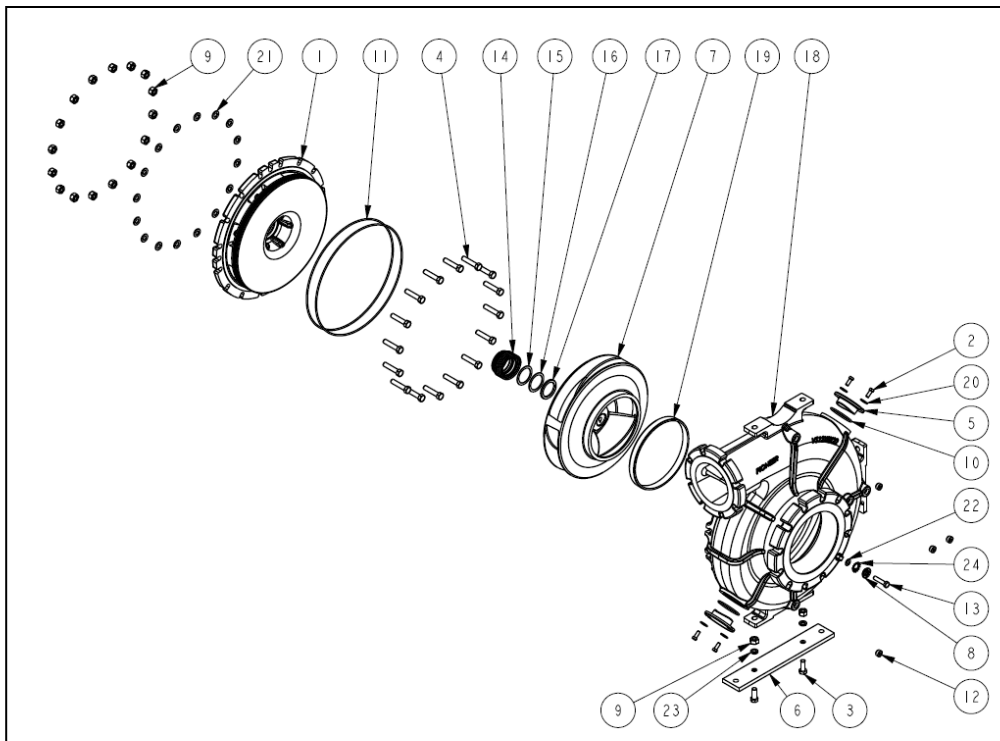
SUBASSEMBLIES (STANDARD BUILD)



Item #	Id	Description
13156969	1	PRIMING CHAMBER
104157207	2	PRIMING CHAMBER LID
318486974	3	LID GASKET
106003704C	4	PRIMING VALVE SUB-ASSY
31138103	5	PIPE PLUG, ½ NPT SQUARE HEAD
37821213	6	.31 SPLIT LOCK WASHER
32839401	7	.50 SPLIT LOCK WASHER
37621031C075	8	BOLT, .31-18UNC x .75
32632050C125	9	BOLT, .50-13UNC x 1.25
37621038C062	10	BOLT, .38-16UNC x .63
30838110	11	ELBOW, 2" x 1-1/2" NPT, 90°
30638311	12	NIPPLE, 1-1/2", CLOSE
30838133	13	ELBOW, 1-1/2" NPT, 45°
102216896	14	STRAINER PLATE
32200102	15	BALL VALVE, 1-1/2"
31638104	16	KING NIPPLE, 1-1/2" MPT x 2" HO
1060016945	17	LINKAGE ASSY, GEN3 FIXED BALL

WET END PARTS

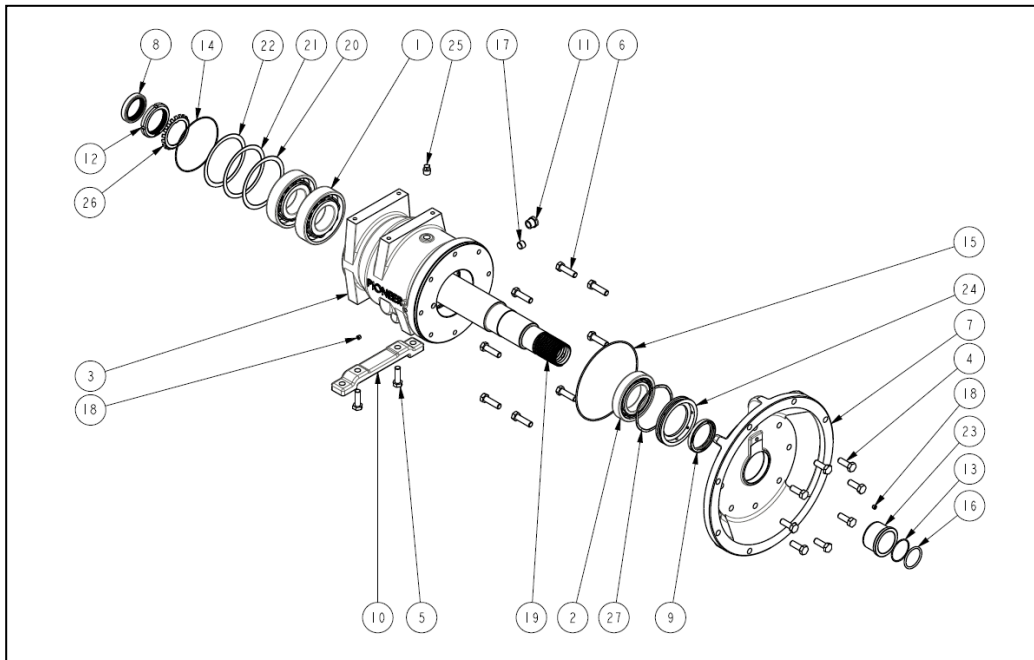
PUMP MODEL: 128S22 (STD. MATERIALS)



Qty	Id	Item #	Description
1	1	1150412536	BACKPLATE, DI
4	2	32632050C125	BOLT .50-13UNC x 1.25 G5 PL
2	3	32632075C200	BOLT .75-10UNC x 2.00 G5 ZINC
16	4	32632075C350	BOLT .75-10UNC x 3.50 G5 ZINC
2	5	11104335	CLEANOUT COVER, DI
1	6	11904141	FOOT, MOUNTING
1	7	1123013104	IMPELLER, CA6 FULL TRIM
1	8	37500111	LOCK WASHER KIT
18	9	32739701	NUT NYLOCK .75-10UNC STLPL
1	10	KIT00199	O-RING KIT E
1	11	KIT00199	O-RING KIT E
4	12	31138108	PLUG FLUSH 3/4" NPT
1	13	SEE ID 8	LOCK WASHER KIT
1	14	30400190	MECHANICAL SEAL 3.25 ID
1	15, 16	SHIM-IMP7	SHIM SET 3.62 x 2.83
1	17	1142711319	THRUST WASHER
1	18	1100412539	VOLUTE, DI
1	19	10902247	WEAR RING, OPEN
4	20	32839402	FLAT WASHER, .50 G5 ZINC
16	21	32839803	FLAT WASHER, .75 G5 ZINC
1	22	SEE ID 8	LOCK WASHER KIT
1	23	32839701	SPLIT WASHER, 3/4"
1	24	SEE ID 8	LOCK WASHER KIT

BEARING FRAME PARTS

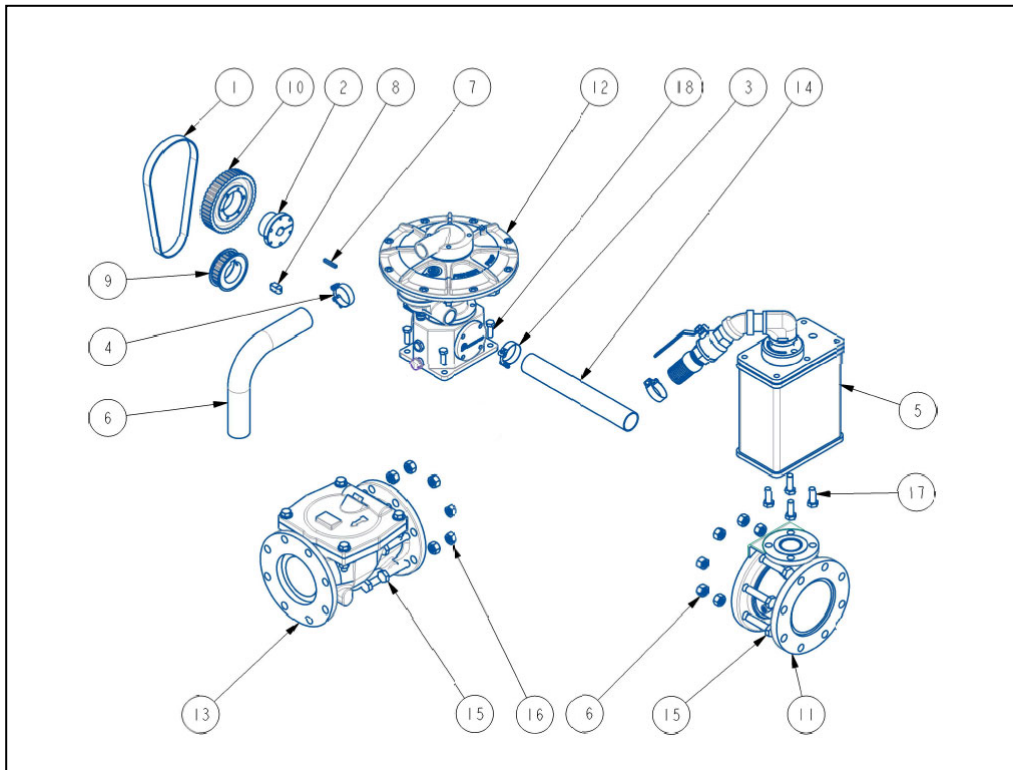
PUMP MODEL: 128S22



Qty	Id	Item #	Description
3	1	31900201	BEARINGS, DRIVE END
1	2	31900130	BEARING, IMPELLER END
1	3	11701131	BEARING HOUSING
8	4	32632062C175	BOLT .62-11UNC x 1.75 G5 PL
2	5	32632062C200	BOLT .62-11UNC x 2.00 G5 PL
8	6	32632062C225	BOLT .62-11UNC x 2.25 G5 PL
1	7	1160412921	BRACKET, DI
1	8	30500176	CASSETTE SEAL 2.625" ID
2	9	30500185	CASSETTE SEAL 3.25" ID
1	10	11904141	FOOT MOUNTING BHF1.0 DI
1	11	31339103	LEVEL PLUG 3/4" NPT
1	12	32100103	NUT, BEARING
1	13-16	KIT00199	O-RING KIT E
1	17	31138107	PLUG FLUSH 1/2" NPT
3	18	31138115	PLUG FLUSH 1/8" NPT HEX
1	19	1207517933	SHAFT, ACME THD, 4340 QT
1	20-22	SHIM-BF2	SHIM SET 6.68 x 5.69
1	23	1322717507	SEAL SLEEVE
2	24	1211517756	RETAINER HALF FOR 128S22
1	25	31138922	VENT PLUG 1/2" NPT
1	26	32000103	WASHER, BEARING
1	27	12100102	WAVE SPRING

PRIMING SYSTEM

TOP MOUNT, COMPACT, 12" x 8"



Qty	Id	Item #	Description
1	1	323360H100	BELT TIMING 360H100 (TOP MNT)
1	2	32500101	BUSHING, 1.0 BORE
1	3	31621103	CLAMP 2.5IN HOSE T-BOLT SS304
1	4	31621103	CLAMP 2.5IN HOSE T-BOLT SS304
1	5	1060015894	PRIMING CHAMBER ASSY
1	6	31700103	HOSE 2IN X 90 DEG X 6IN LEG
1	7	12222103	KEY 1/4 x 1/4 x 1.75 LONG
1	8	12211989	KEY 5/8 SQ WEDGE KEY
1	9	32400386	PULLEY 26H100
1	10	32400102	PULLEY 44H100
1	11	1011510106	SPOOL, PRIMING
1	12	33600101	VACUUM PUMP
1	13	32200106	VALVE 8" CHECK
1	14	31700130	HOSE 2" ID SUCTION x 48"
12	15	32632087C500	BOLT .88-9UNC x 5.00 G5 PL
8	15.1	32632075C350	BOLT .75-10UNC x 3.50 G5 PL
12	16	32739801	NUT HVY HEX .88-9UNC STLPL
8	16.1	32739701	NUT HVY HEX .75-10UNC STLPL
4	17	32632062C175	BOLT .62-11UNC x 1.75 G5 PL
4	18	32632050C150	BOLT .50-13UNC x 1.50 G5 PL



Franklin Electric is a global leader in the manufacturing and distribution of products and systems focused on the movement and management of water. We offer pumps, motors, drives, and controls for use in a wide variety of agricultural, commercial, industrial, municipal, and residential applications.
