

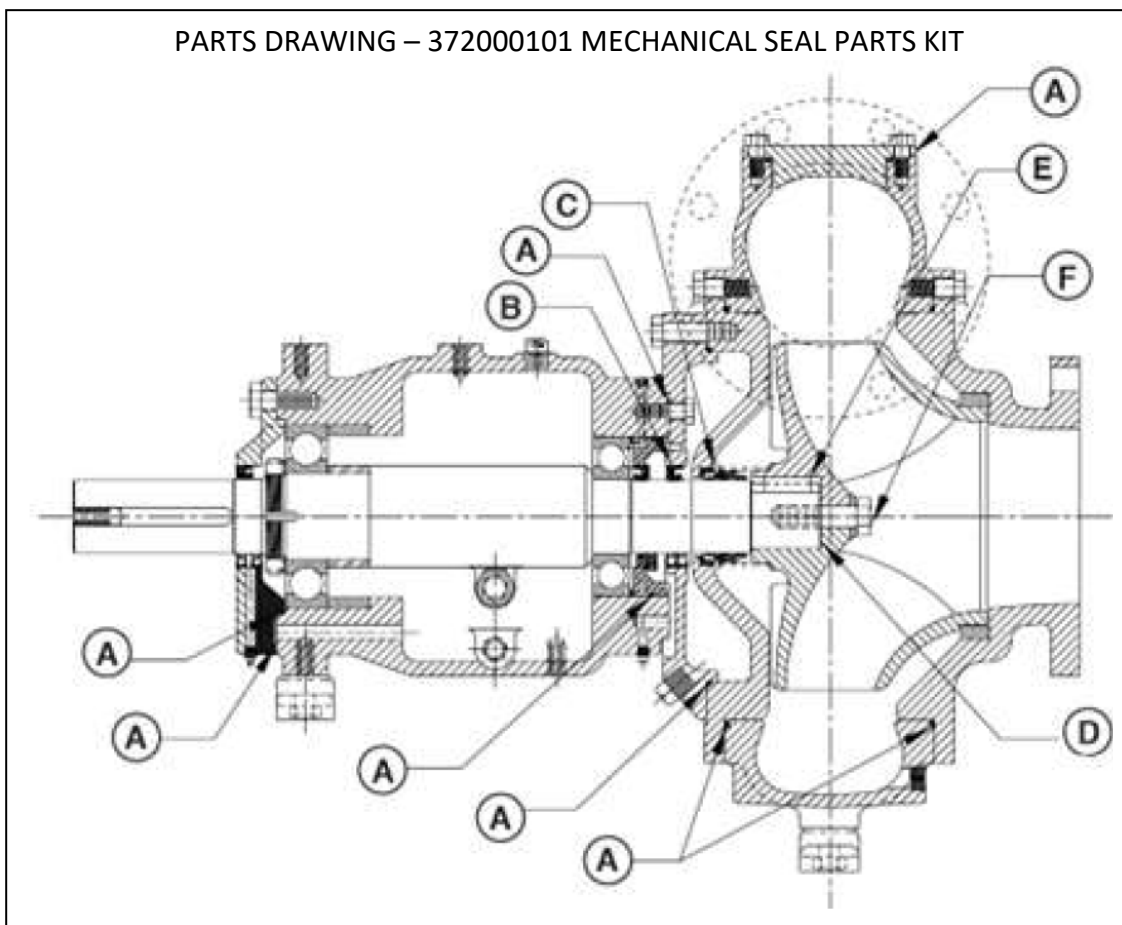


# SEAL PARTS KIT

**PUMP MODELS: 88S12/66S12/66S14**

The mechanical seal kit and bearing frame kits are offered separately. We recommend ordering both kits for a major service. Both the Mechanical Seal and Bearing Frame kits include all O-rings needed for service.

PARTS DRAWING – 372000101 MECHANICAL SEAL PARTS KIT



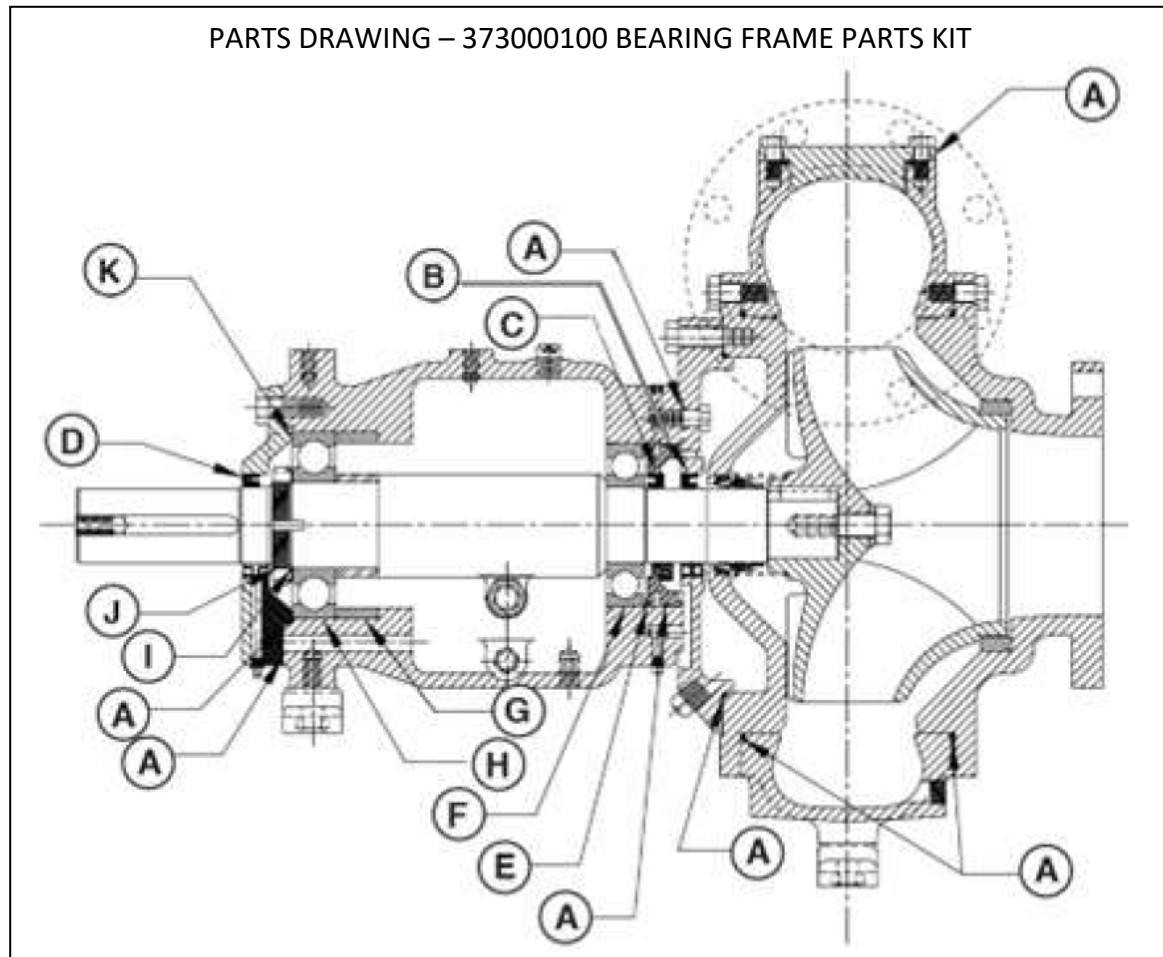
372000101 - Mechanical Seal Kit		
Qty.	Id	Description
1	A	O-RING KIT, COMPLETE
1	B	CASSETTE SEAL, RUN DRY
1	C	MECHANICAL SEAL, T31
1	D	KIT, IMPELLER SHIM
1	E	KEY, IMPELLER
1	F	KIT, LOCKWASHER
1	-	P-80 LUBRICANT, 10ML TUBE



# BEARING PARTS KIT

**PUMP MODELS: 88S12/66S12/66S14/64S12**

The mechanical seal kit and bearing frame kits are offered separately. We recommend ordering both kits for a major service. Both the Mechanical Seal and Bearing Frame kits include all O-rings needed for service.



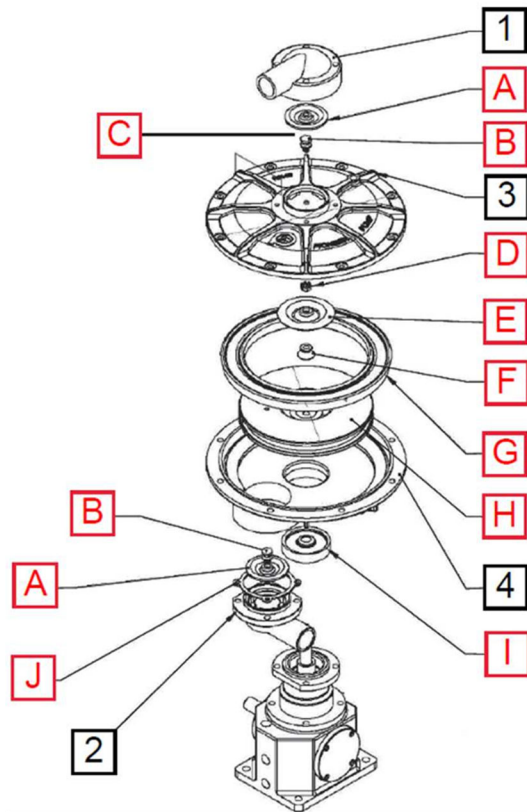
373000100 – Bearing Frame Kit		
Qty.	Id	Description
1	A	O-RING KIT, COMPLETE
1	B	CASSETTE SEAL, RUN DRY
1	C	CASSETTE SEAL, IMPELLER END
1	D	CASSETTE SEAL, DRIVE END
1	E	WAVE SPRING
1	F	BEARING, IMPELLER END
1	G	SPACER, BEARING
1	H	BEARING, DRIVE END
1	I	WASHER, BEARING
1	J	NUT, BEARING
1	K	SHIM KIT, BEARING
3	-	TAPERED PLUG, SIZE 000



# VACUUM PUMP REBUILD

## UPPER CHAMBER KIT

PARTS DRAWING – 374000102 UPPER VACUUM PUMP KIT

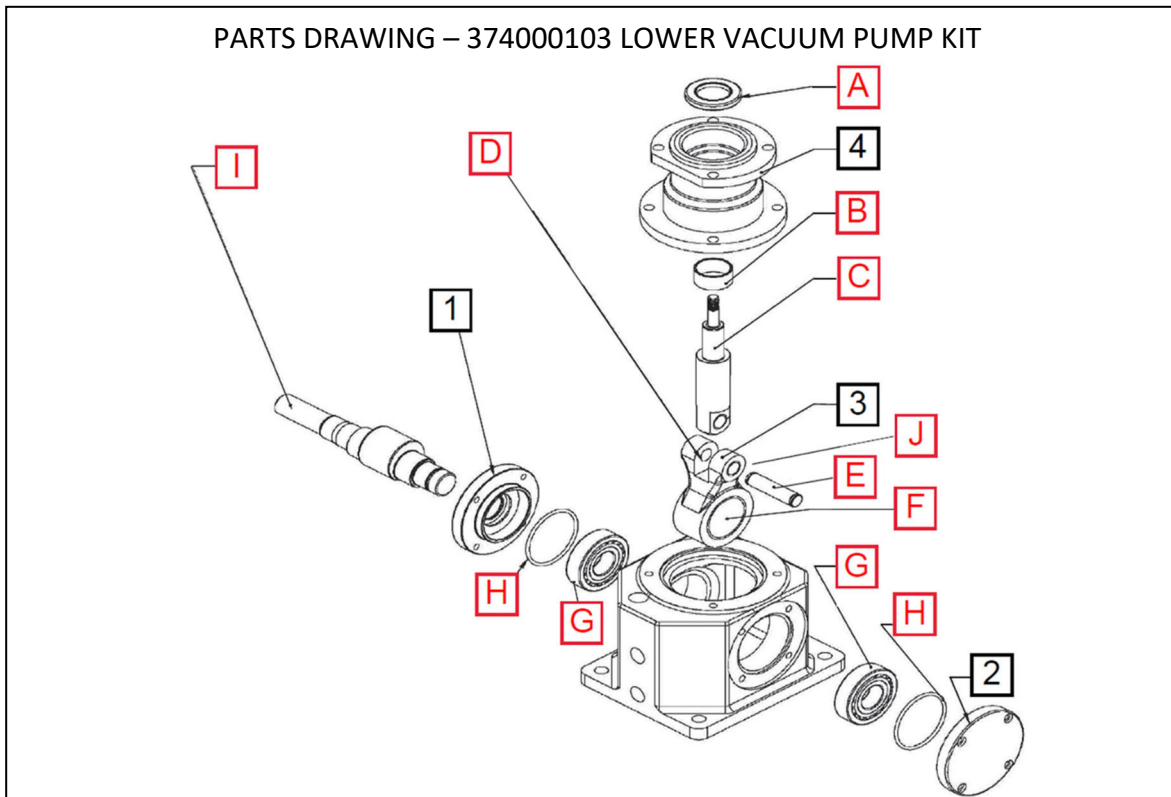


374000102 – UPPER VACUUM PUMP KIT		
Qty.	Id	Description
2	A	INLET/EXHAUST VALVE
2	B	INLET/EXHAUST VALVE STUD
1	C	COTTER PIN
1	D	CASTLE NUT
1	E	ACTUATOR VALVE
1	F	ACTUATOR WASHER
1	G	ACTUATOR SEAL
1	H	ACTUATOR
1	I	NECK SEAL
1	J	INLET NOZZLE GASKET
8	-	HOUSING FASTENER
1	-	FLAT WASHER

NOT INCLUDED IN KIT		
Id	Description	Part No.
1	EXHAUST NOZZLE	33617320
2	INLET NOZZLE	33617318
3	UPPER HOUSING	33617310
4	LOWER HOUSING	33617309

# VACUUM PUMP REBUILD

## LOWER CHAMBER KIT

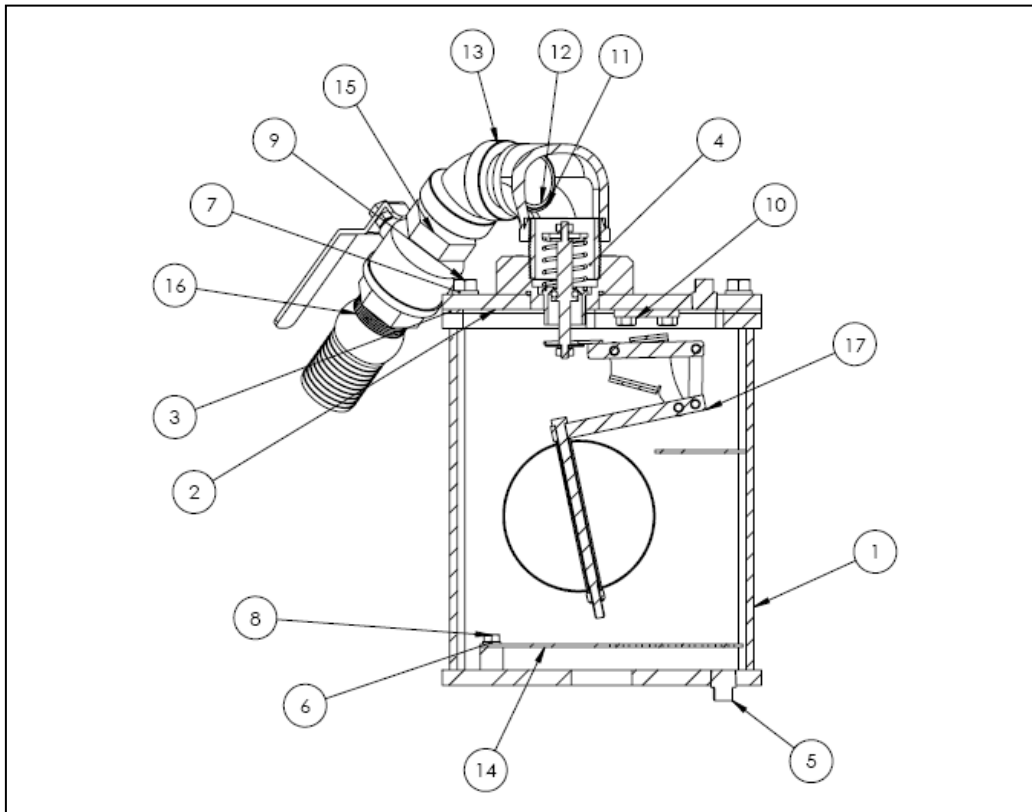


374000103 – LOWER VACUUM PUMP KIT		
Qty.	Id	Description
1	A	ACTUATOR SHAFT LIP SEAL
1	B	ACTUATOR SHAFT GUIDE BUSHING
1	C	ACTUATOR SHAFT WITH BUSHING
2	D	CONNECTING ROD BUSHING, SMALL
1	E	FULCRUM PIN
1	F	CONNECTING ROD BEARING, LARGE
2	G	SHAFT END BEARING
2	H	BEARING CAP O-RING
1	I	CRANK SHAFT
1	J	FULCRUM PIN RETAINING RING
1	-	BEARING LOCKNUT
1	-	BEARING LOCKWASHER
1	-	BEARING CAP LIP SEAL
1	-	PEDESTAL O-RING
1	-	THUMBSCREW
4	-	STUD ASSEMBLY

NOT INCLUDED IN KIT		
Id	Description	Part No.
1	BEARING CAP, SHAFT END	33602316
2	CONNECTING ROD	33603314
3	PEDESTAL	33601312
4	BEARING CAP, REAR	33602317

# PRIMING CHAMBER

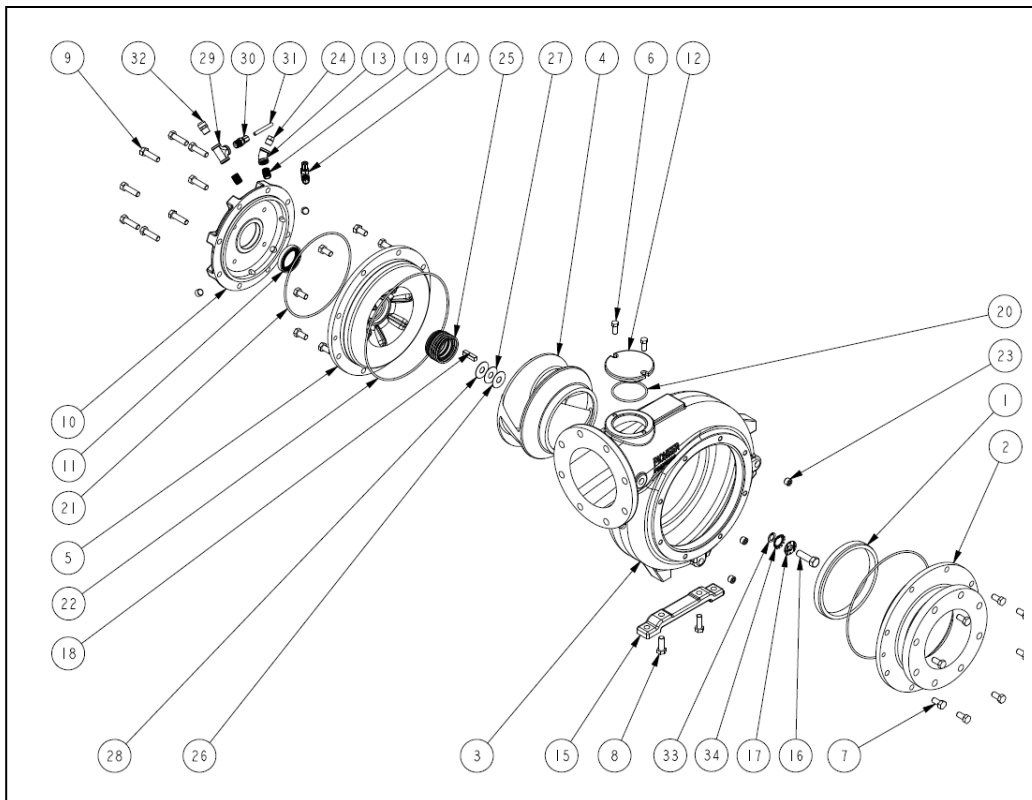
## SUBASSEMBLIES (STANDARD BUILD)



Item #	Id	Description
13156969	1	PRIMING CHAMBER
104157207	2	PRIMING CHAMBER LID
318486974	3	LID GASKET
106003704C	4	PRIMING VALVE SUB-ASSY
31138103	5	PIPE PLUG, ½ NPT SQUARE HEAD
37821213	6	.31 SPLIT LOCK WASHER
32839401	7	.50 SPLIT LOCK WASHER
37621031C075	8	BOLT, .31-18UNC x .75
32632050C125	9	BOLT, .50-13UNC x 1.25
37621038C062	10	BOLT, .38-16UNC x .63
30838110	11	ELBOW, 2" x 1-1/2" NPT, 90°
30638311	12	NIPPLE, 1-1/2", CLOSE
30838133	13	ELBOW, 1-1/2" NPT, 45°
102216896	14	STRAINER PLATE
32200102	15	BALL VALVE, 1-1/2"
31638104	16	KING NIPPLE, 1-1/2" MPT x 2" HO
1060016945	17	LINKAGE ASSY, GEN3 FIXED BALL

# WET END PARTS

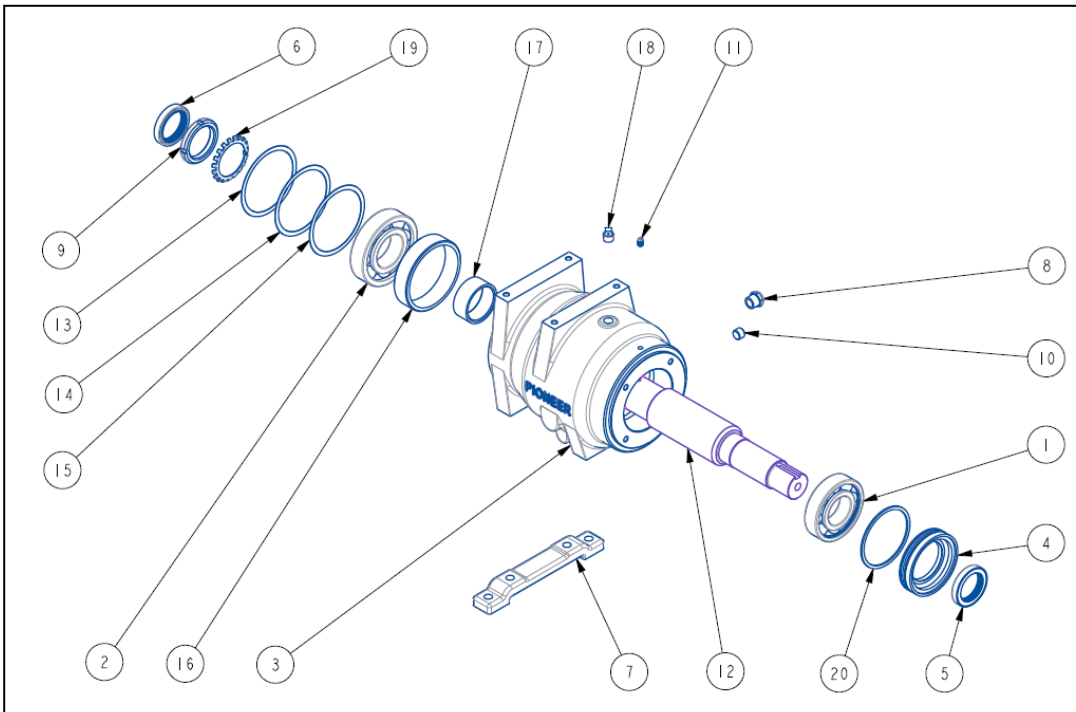
PUMP MODEL: 88S12 (STD. MATERIALS)



Qty	Id	Item #	Description
1	1	10902270	WEAR RING
1	2	108041246	SUCTION COVER, DI
1	3	110041151	VOLUTE, DI
1	4	112301143	IMPELLER, FULL TRIM, CA6
1	5	11504153	BACKPLATE, DI
2	6	32632050C125	BOLT .50-13UNC x 1.25 G5 PL
16	7	32632062C125	BOLT .62-11UNC x 1.25 G5 PL
2	8	32632062C175	BOLT .62-11UNC x 1.75 G5 PL
8	9	32632062C225	BOLT .62-11UNC x 2.25 G5 PL
1	10	116011531	BRACKET, CI
1	11	30500179	CASSETTE SEAL 2.50" ID
1	12	11104335	CLEANOUT COVER, DI
1	13	30838101	ELBOW 1/2" NPT 45 DEG
1	14	31516102	TUBE FITTING 1/2NPT x 3/8
1	15	11904141	FOOT, MOUNTING
1	16, 17	37500121	LOCKWASHER KIT
1	18	12227109	KEY 1/2 x 1/2 x 2.00 LONG
2	19	30638301	NIPPLE 1/2" NPT x CLOSE
1	20-22	KIT00198	O-RING KIT D
5	23	31138107	PLUG FLUSH 1/2" NPT
1	24	31122103	PLUG, SQ HEAD 1/2" NPT
1	25	30400172	MECHANICAL SEAL, 2.50 ID
1	26-28	SHIM-IMP1	SHIM SET 2.18 x .78
1	29	31038101	TEE 1/2" NPT
1	30	31516101	TUBE FITTING 1/2NPT x3/8 TUBE
1	31	31708110	TUBING FEP, 3/8" x 16" LONG
1	32	31339101	VENT 1/2" NPT
1	33, 34	SEE ID 16, 17	LOCKWASHER KIT

# BEARING FRAME PARTS

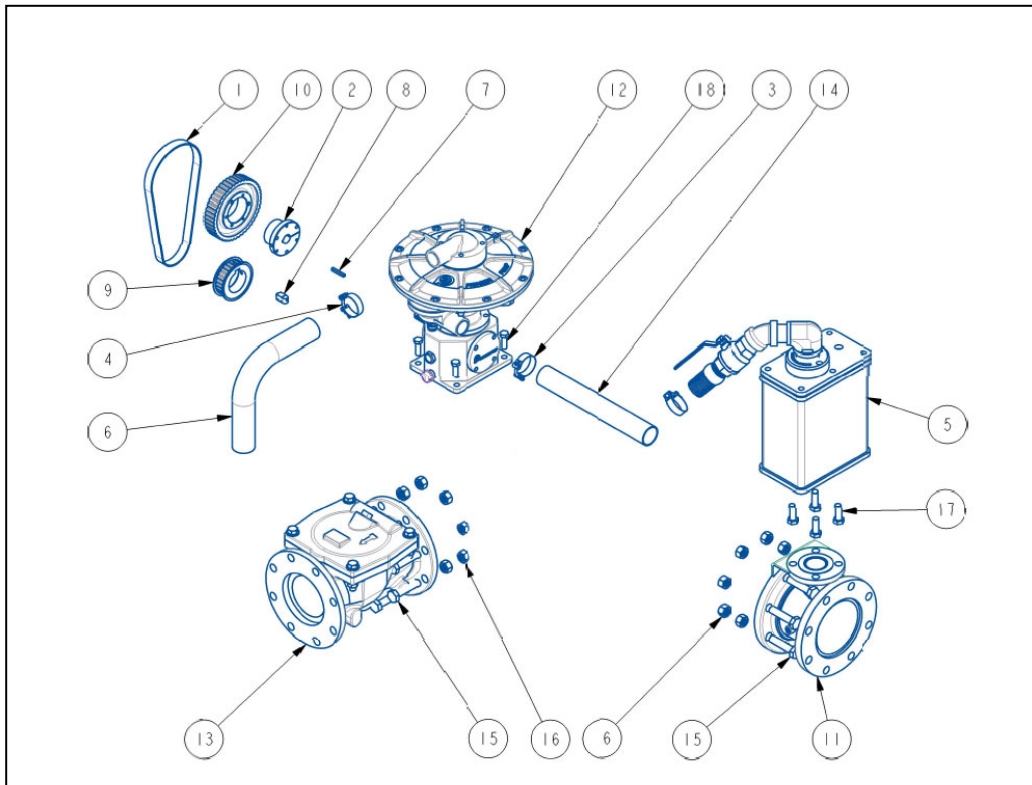
PUMP MODELS: 88S12, 66S12, 66S14, 64S12



Qty	Id	Item #	Description
1	1	31900101	BEARING, IMPELLER END
1	2	31900103	BEARING, DRIVE END
1	3	11701133	BEARING HOUSING
1	4	121021539	CARRIER LABARYNTH SEAL
1	5	30500179	CASSETTE SEAL, 2.50" ID
1	6	30500176	CASSETTE SEAL, 2.625" ID
1	7	11904141	FOOT, MOUNTING
1	8	31339103	LEVEL PLUG 3/4" NPT
1	9	32100102	NUT, BEARING
1	10	31138107	PLUG, FLUSH 1/2" NPT
1	11	31138101	PLUG, SQ. HD. 1/8" NPT
1	12	1202714125	SHAFT, 17-4 SS
1	13-15	SHIM-BF1	SHIM SET 6.28 x 5.50
1	16	12113177	SPACER, BEARING
1	17	121131654	SPACER, BEARING SHAFT
1	18	31138922	VENT PLUG 1/2" NPT
1	19	32000102	WASHER BEARING
1	20	12100101	WAVE SPRING

# PRIMING SYSTEM

## SIDE MOUNT, COMPACT, 8"



Qty	Id	Item #	Description
1	1	323420H100	BELT TIMING 420H100 (SIDE MNT)
1	2	32500101	BUSHING, 1.0 BORE
1	3	31621103	CLAMP 2.5IN HOSE T-BOLT SS304
1	4	31621103	CLAMP 2.5IN HOSE T-BOLT SS304
1	5	1060015894	PRIMING CHAMBER ASSY
1	6	31700103	HOSE 2IN X 90 DEG X 6IN LEG
1	7	12222103	KEY 1/4 x 1/4 x 1.75 LONG
1	8	12211989	KEY 5/8 SQ WEDGE KEY
1	9	32400386	PULLEY 26H100
1	10	32400102	PULLEY 44H100
1	11	1501508578	SPOOL, PRIMING
1	12	33600101	VACUUM PUMP
1	13	32200106	VALVE 8" CHECK
1	14	31700130	HOSE 2" ID SUCTION x 48"
16	15	32632075C350	BOLT .75-10UNC x 3.50 G5 PL
16	16	32739701	NUT HVY HEX .75-10UNC STLPL
4	17	32632062C175	BOLT .62-11UNC x 1.75 G5 PL
4	18	32632050C150	BOLT .50-13UNC x 1.50 G5 PL





---

*Franklin Electric is a global leader in the manufacturing and distribution of products and systems focused on the movement and management of water. We offer pumps, motors, drives, and controls for use in a wide variety of agricultural, commercial, industrial, municipal, and residential applications.*

---