

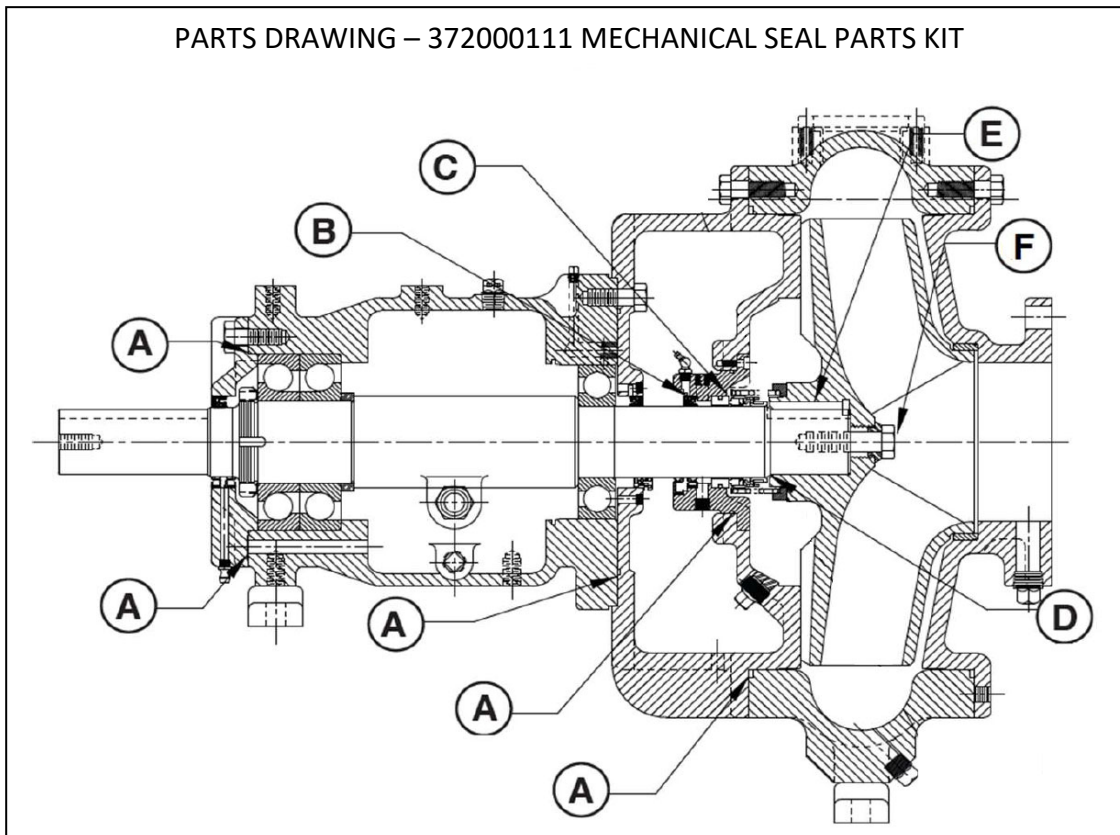


SEAL PARTS KIT

PUMP MODELS: 86S17, 64S17

The mechanical seal kit and bearing frame kits are offered separately. We recommend ordering both kits for a major service. Both the Mechanical Seal and Bearing Frame kits include all O-rings needed for service.

PARTS DRAWING – 372000111 MECHANICAL SEAL PARTS KIT



372000111 - Mechanical Seal Kit		
Qty.	Id	Description
1	A	O-RINGS
1	B	CASSETTE SEAL, RUN DRY
1	C	MECHANICAL SEAL
1	D	IMPELLER SHIM SET
1	E	SPRING GUIDE
1	G	IMPELLER KEY
1	H	LOCKWASHER KIT
1	-	P-80 LUBRICANT, 10ML TUBE

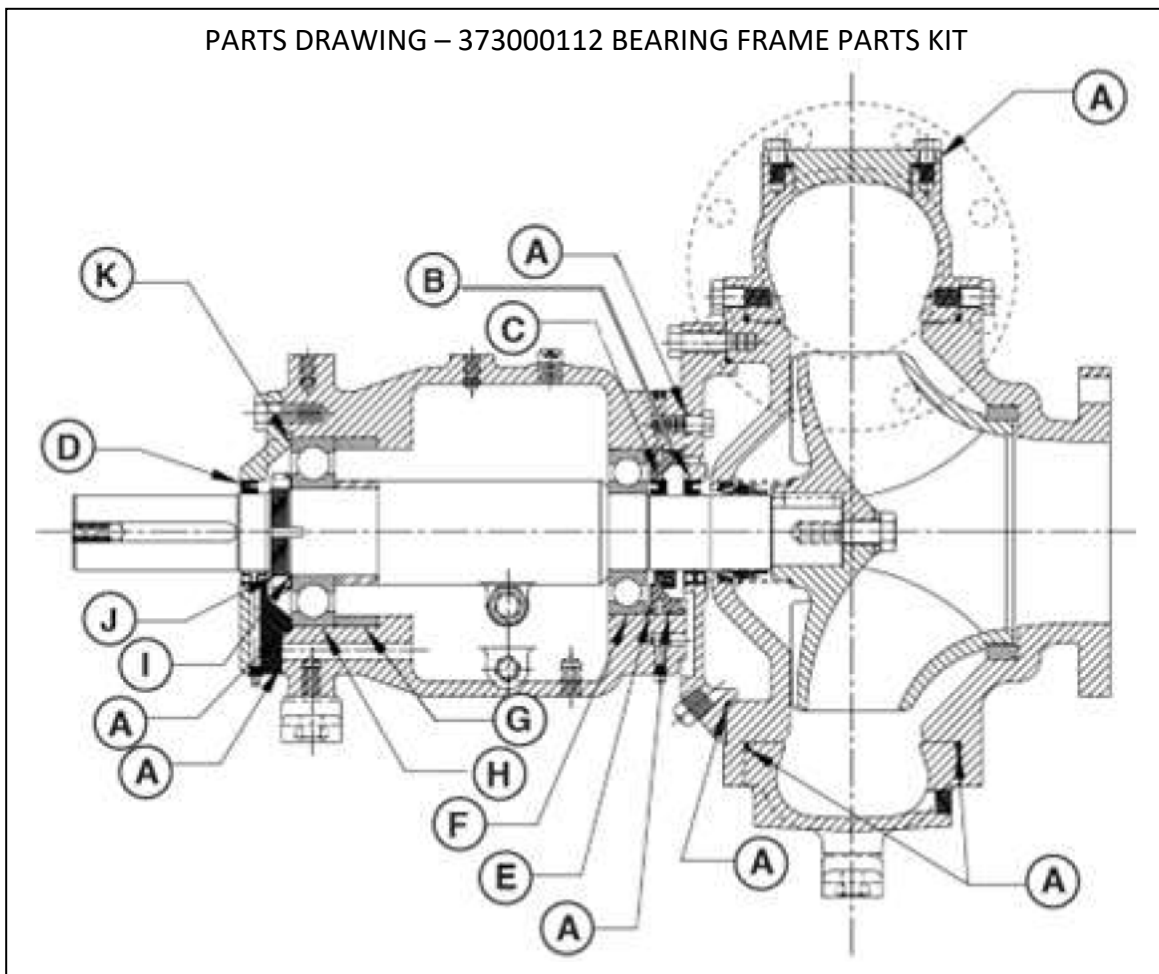


BEARING PARTS KIT

PUMP MODELS: 86S17, 64S17

The mechanical seal kit and bearing frame kits are offered separately. We recommend ordering both kits for a major service. Both the Mechanical Seal and Bearing Frame kits include all O-rings needed for service.

PARTS DRAWING – 373000112 BEARING FRAME PARTS KIT



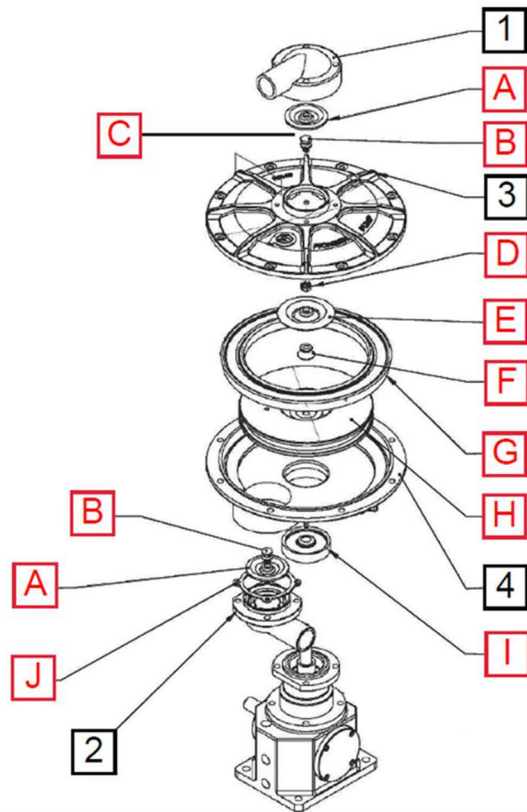
373000112 – Bearing Frame Kit		
Qty.	Id	Description
1	A	O-RINGS
3	B	CASSETTE SEALS
1	C	BEARING SHIM SET
1	D	BEARING, IMPELLER END
1	E	BEARING, DRIVE END
1	F	WASHER, BEARING
1	G	NUT, BEARING
3	-	TAPERED PLUG, SIZE 000



VACUUM PUMP REBUILD

UPPER CHAMBER KIT

PARTS DRAWING – 374000102 UPPER VACUUM PUMP KIT



374000102 – UPPER VACUUM PUMP KIT

Qty.	Id	Description
2	A	INLET/EXHAUST VALVE
2	B	INLET/EXHAUST VALVE STUD
1	C	COTTER PIN
1	D	CASTLE NUT
1	E	ACTUATOR VALVE
1	F	ACTUATOR WASHER
1	G	ACTUATOR SEAL
1	H	ACTUATOR
1	I	NECK SEAL
1	J	INLET NOZZLE GASKET
8	-	HOUSING FASTENER
1	-	FLAT WASHER

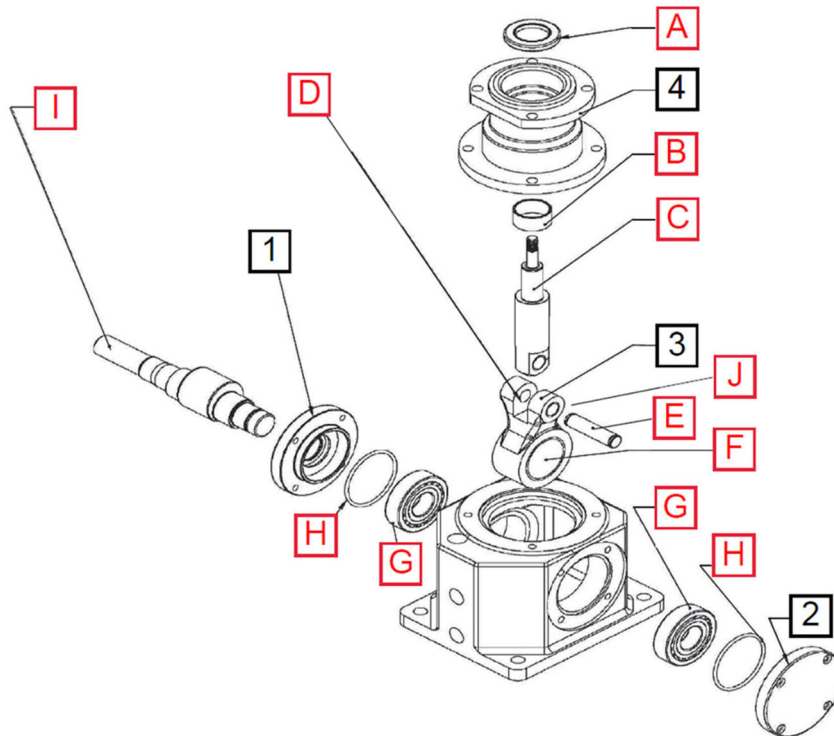
NOT INCLUDED IN KIT

Id	Description	Part No.
1	EXHAUST NOZZLE	33617320
2	INLET NOZZLE	33617318
3	UPPER HOUSING	33617310
4	LOWER HOUSING	33617309

VACUUM PUMP REBUILD

LOWER CHAMBER KIT

PARTS DRAWING – 374000103 LOWER VACUUM PUMP KIT



374000103 – LOWER VACUUM PUMP KIT

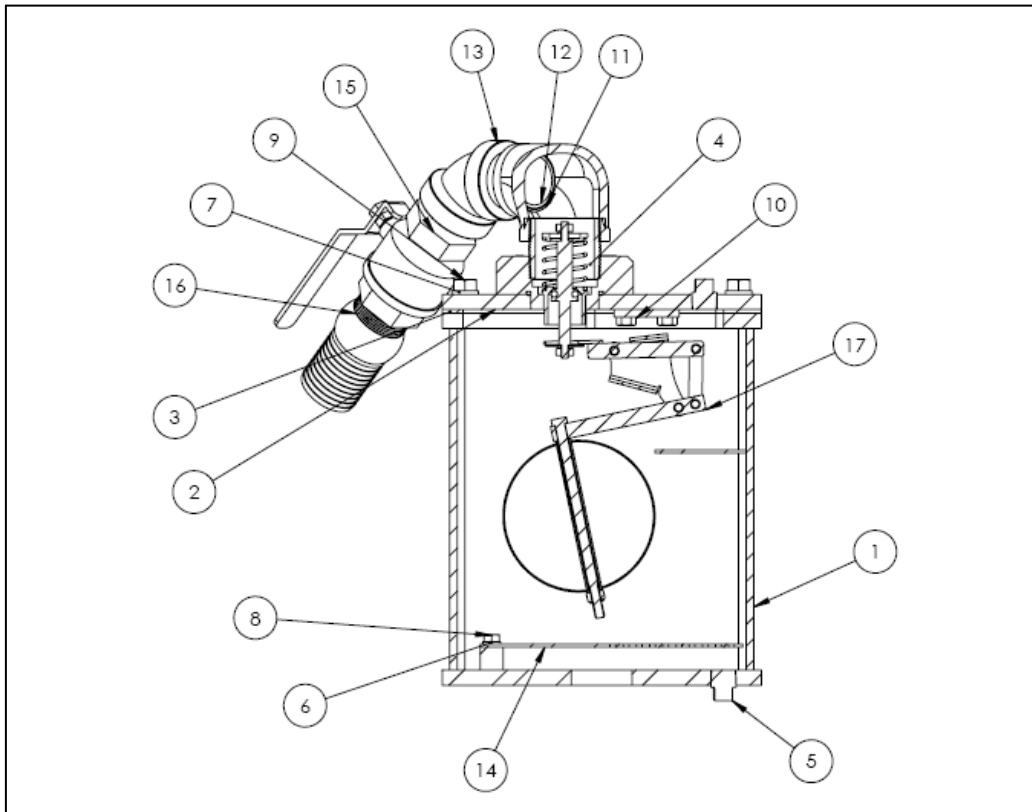
Qty.	Id	Description
1	A	ACTUATOR SHAFT LIP SEAL
1	B	ACTUATOR SHAFT GUIDE BUSHING
1	C	ACTUATOR SHAFT WITH BUSHING
2	D	CONNECTING ROD BUSHING, SMALL
1	E	FULCRUM PIN
1	F	CONNECTING ROD BEARING, LARGE
2	G	SHAFT END BEARING
2	H	BEARING CAP O-RING
1	I	CRANK SHAFT
1	J	FULCRUM PIN RETAINING RING
1	-	BEARING LOCKNUT
1	-	BEARING LOCKWASHER
1	-	BEARING CAP LIP SEAL
1	-	PEDESTAL O-RING
1	-	THUMBSCREW
4	-	STUD ASSEMBLY

NOT INCLUDED IN KIT

Id	Description	Part No.
1	BEARING CAP, SHAFT END	33602316
2	CONNECTING ROD	33603314
3	PEDESTAL	33601312
4	BEARING CAP, REAR	33602317

PRIMING CHAMBER

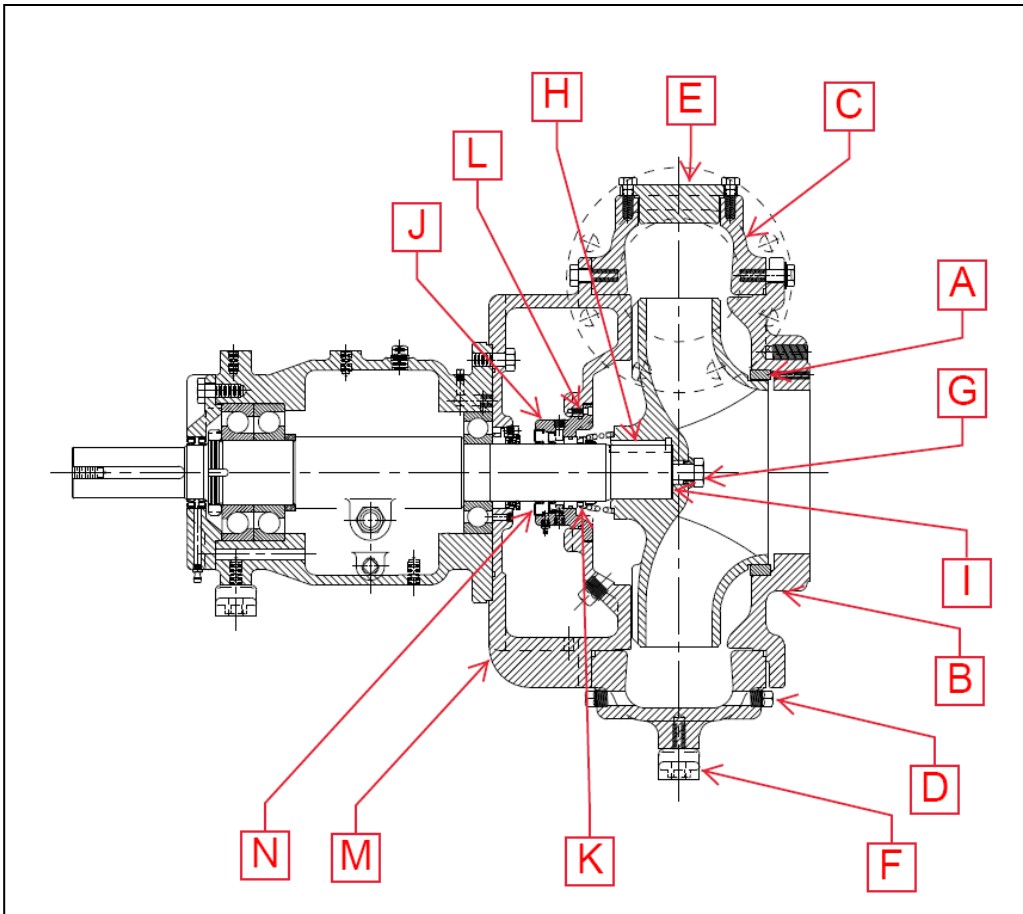
SUBASSEMBLIES (STANDARD BUILD)



Item #	Id	Description
13156969	1	PRIMING CHAMBER
104157207	2	PRIMING CHAMBER LID
318486974	3	LID GASKET
106003704C	4	PRIMING VALVE SUB-ASSY
31138103	5	PIPE PLUG, ½ NPT SQUARE HEAD
37821213	6	.31 SPLIT LOCK WASHER
32839401	7	.50 SPLIT LOCK WASHER
37621031C075	8	BOLT, .31-18UNC x .75
32632050C125	9	BOLT, .50-13UNC x 1.25
37621038C062	10	BOLT, .38-16UNC x .63
30838110	11	ELBOW, 2" x 1-1/2" NPT, 90°
30638311	12	NIPPLE, 1-1/2", CLOSE
30838133	13	ELBOW, 1-1/2" NPT, 45°
102216896	14	STRAINER PLATE
32200102	15	BALL VALVE, 1-1/2"
31638104	16	KING NIPPLE, 1-1/2" MPT x 2" HO
1060016945	17	LINKAGE ASSY, GEN3 FIXED BALL

WET END PARTS

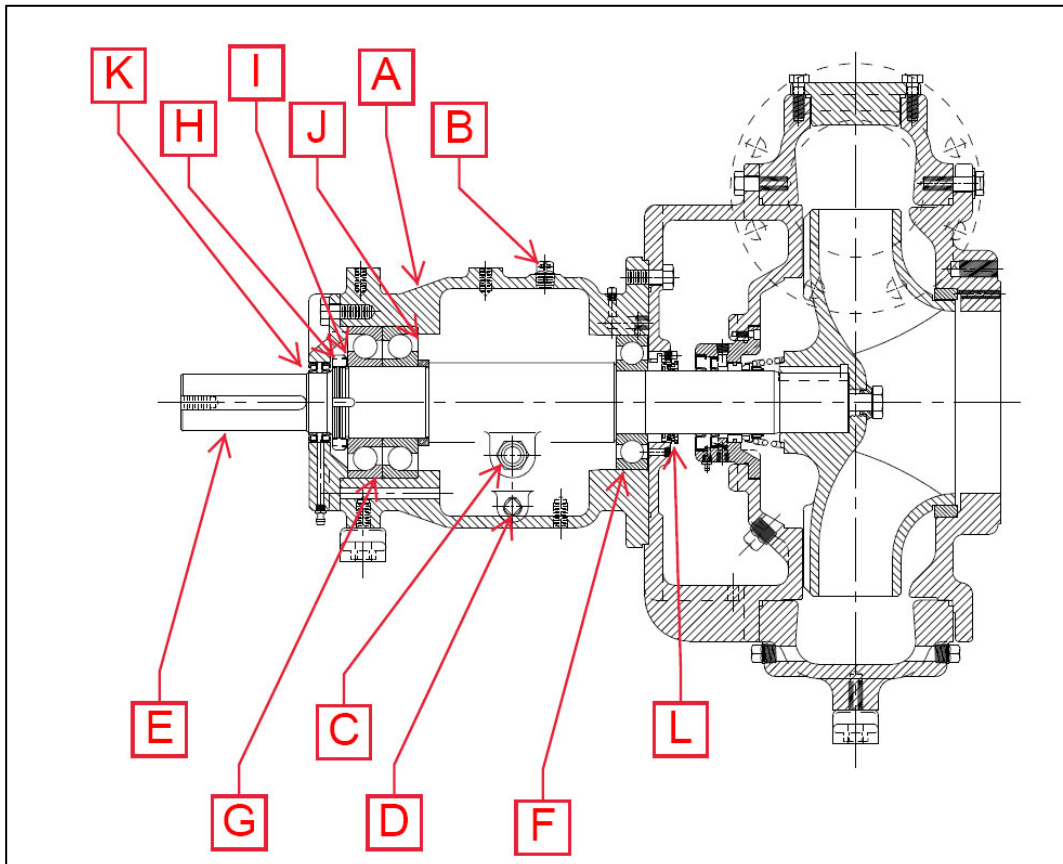
PUMP MODEL: 86S17 (STD. MATERIALS)



Qty	Id	Item #	Description
1	A	10902270	WEAR RING
1	B	108046407	SUCTION COVER
1	C	110046381	VOLUTE, DI
6	D	31138107	PLUG FLUSH 1/2" NPT
1	E	1110415271	CLEANOUT COVER, DI
1	F	11904141	FOOT MOUNTING BHF1.0 DI
1	G	37500141	LOCKWASHER SET
1	H	12227101	KEY 5/8 x 5/8 x 2.50 LG
1	I	SHIM-IMP4	IMPELLER SHIM SET, 2.50 x 1.53
1	J	129045792	SEAL BOX, DI
1	K	30400173	MECHANICAL SEAL 2.75 ID
8	L	37621025SC075	BOLT, SOC HD .25-20UNC x.75
1	M	116041879	BRAC-PLATE, DI
1	N	30500184	CASSETTE SEAL, 2.75" ID

BEARING FRAME PARTS

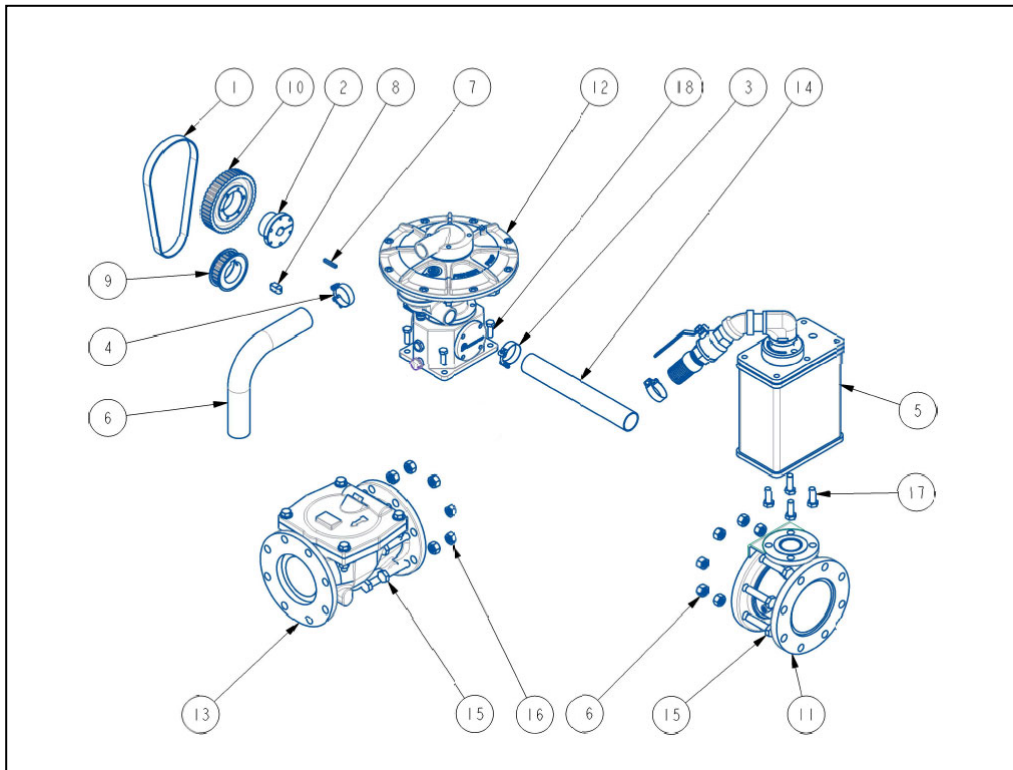
PUMP MODELS: 86S17



Qty	Id	Item #	Description
1	A	11701131	BEARING HOUSING
1	B	31138922	VENT PLUG 1/2" NPT w/1/8"
1	C	31339103	LEVEL PLUG 3/4" NPT
1	D	31138107	PLUG FLUSH 1/2" NPT
1	E	1202707872	SHAFT, 17-4 SS
1	F	31900102	BEARING, IMPELLER END
2	G	31900201	BEARINGS, DRIVE END
1	H	32100103	NUT, BEARING
1	I	32000103	WASHER, BEARING
1	J	SHIM-BF2	BEARING SHIM SET
1	K	30500176	CASSETTE SEAL 2.625" ID
1	L	30500184	CASSETTE SEAL 2.75" ID
1	-	KIT00201	O-RING SET G

PRIMING SYSTEM

SIDE MOUNT, COMPACT, 6"



Qty	Id	Item #	Description
1	1	323420H100	BELT TIMING 420H100 (SIDE MNT)
1	2	32500101	BUSHING, 1.0 BORE
1	3	31621103	CLAMP 2.5IN HOSE T-BOLT SS304
1	4	31621103	CLAMP 2.5IN HOSE T-BOLT SS304
1	5	1060015894	PRIMING CHAMBER ASSY
1	6	31700103	HOSE 2IN X 90 DEG X 6IN LEG
1	7	12222103	KEY 1/4 x 1/4 x 1.75 LONG
1	8	12211989	KEY 5/8 SQ WEDGE KEY
1	9	32400386	PULLEY 26H100
1	10	32400102	PULLEY 44H100
1	11	1501508578	SPOOL, PRIMING
1	12	33600101	VACUUM PUMP
1	13	32200181	VALVE 6" CHECK
1	14	31700130	HOSE 2" ID SUCTION x 48"
16	15	32632075C325	BOLT .75-10UNC x 3.25 G5 PL
16	16	37721701	NUT HVY HEX .75-11UNC 304SS
4	17	32632062C175	BOLT .62-11UNC x 1.75 G5 PL
4	18	32632050C150	BOLT .50-13UNC x 1.50 G5 PL



Franklin Electric is a global leader in the manufacturing and distribution of products and systems focused on the movement and management of water. We offer pumps, motors, drives, and controls for use in a wide variety of agricultural, commercial, industrial, municipal, and residential applications.
