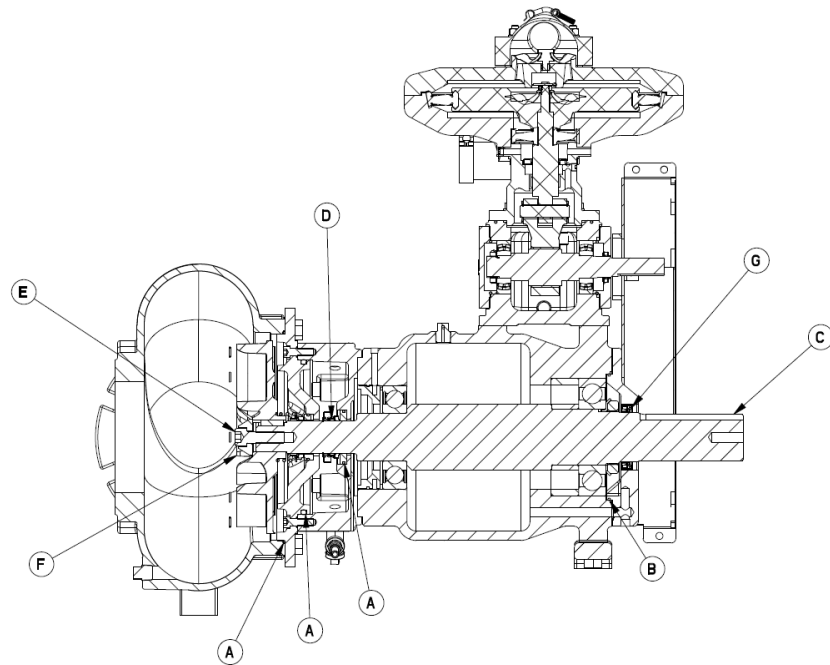


SERVICE PARTS KITS

PUMP MODEL: 66V12

The mechanical seal kit and bearing frame kits are offered separately. We recommend ordering both kits for a major service. Both the Mechanical Seal and Bearing Frame kits include all O-rings needed for service.

PARTS DRAWING – 372000159 MECHANICAL SEAL PARTS KITS



372000159 - Mechanical Seal Kit		
Qty.	Kit No.	Description
1	A	O-RING KIT, COMPLETE
1	B	1558 BEARING FRAME O-RING KIT
1	C	SHAFT KEY
1	D	MECHANICAL SEAL
1	E	BOLT SOCHD .62-11UNC x 2.0 316
1	F	IMPELLER WASHER
1	G	CASSETTE SEAL TSS 1.875"SH X 2

ORDERING INFORMATION

Most parts kits are in stock and available for shipment within 2 business days. You must have an active Franklin Electric account for order processing. Email orders to PartsSales@pioneerpump.com. For questions, please call Pioneer Pump at (503) 266-4115 or email us at the above email.

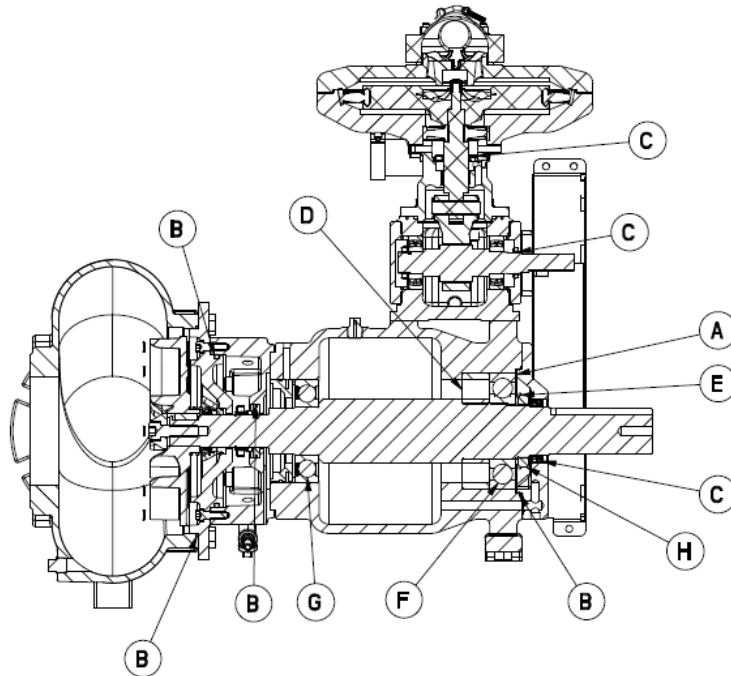
NOTE: Part numbers listed reflect updated part numbers as of July 2022. Older documentation may have different part numbers. Please consult factory if differences appear. All parts included in kits are standard material. Please contact Pioneer Pump for any special requests regarding the material of component.

SERVICE PARTS KITS

PUMP MODEL: 66V12

The mechanical seal kit and bearing frame kits are offered separately. We recommend ordering both kits for a major service. Both the Mechanical Seal and Bearing Frame kits include all O-rings needed for service.

PARTS DRAWING – 37300768 BEARING FRAME KIT



37300768 - BEARING FRAME KIT		
Qty.	Kit No.	Description
1	A	SHIM KIT, COMPLETE
1	B	O-RING KIT, COMPLETE
1	C	CASSETTE SEAL KIT, COMPLETE
1	D	SPACER BEARING BH8.5
1	E	BEARING WASHER
1	F	BEARING 6313.C3 SGL ROW OPEN*
1	G	BEARING 6315.C3 SGL ROW
1	H	BEARING NUT

ORDERING INFORMATION

Most parts kits are in stock and available for shipment within 2 business days. You must have an active Franklin Electric account for order processing. Email orders to PartsSales@pioneerpump.com. For questions, please call Pioneer Pump at (503) 266-4115 or email us at the above email.

NOTE: Part numbers listed reflect updated part numbers as of July 2022. Older documentation may have different part numbers. Please consult factory if differences appear. All parts included in kits are standard material. Please contact Pioneer Pump for any special requests regarding the material of component.