

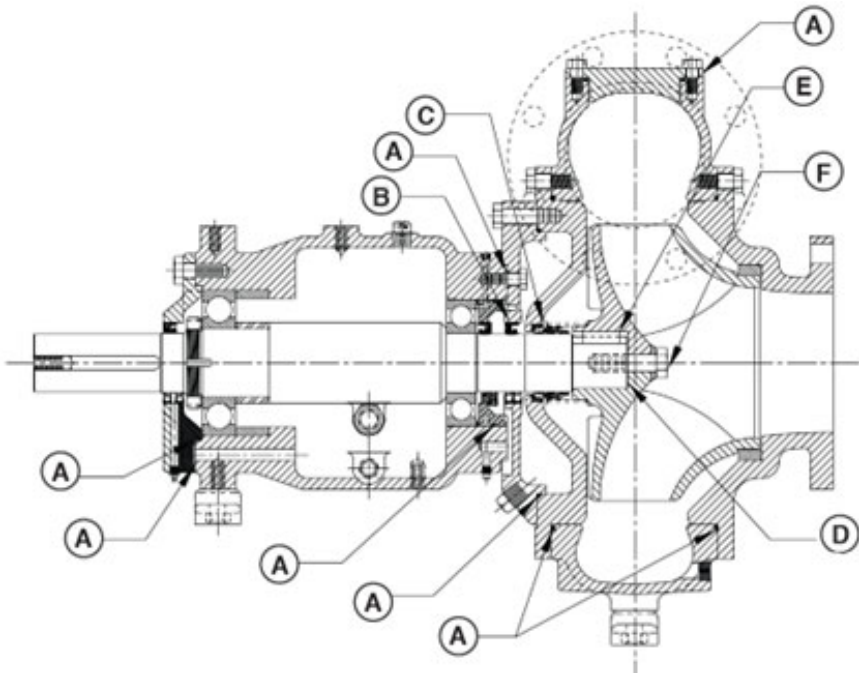


SEAL PARTS KIT

PUMP MODELS: 66S12/66S14/88S12

The mechanical seal kit and bearing frame kits are offered separately. We recommend ordering both kits for a major service. Both the Mechanical Seal and Bearing Frame kits include all O-rings needed for service.

PARTS DRAWING – 372000101 MECHANICAL SEAL PARTS KIT



372000101 - Mechanical Seal Kit

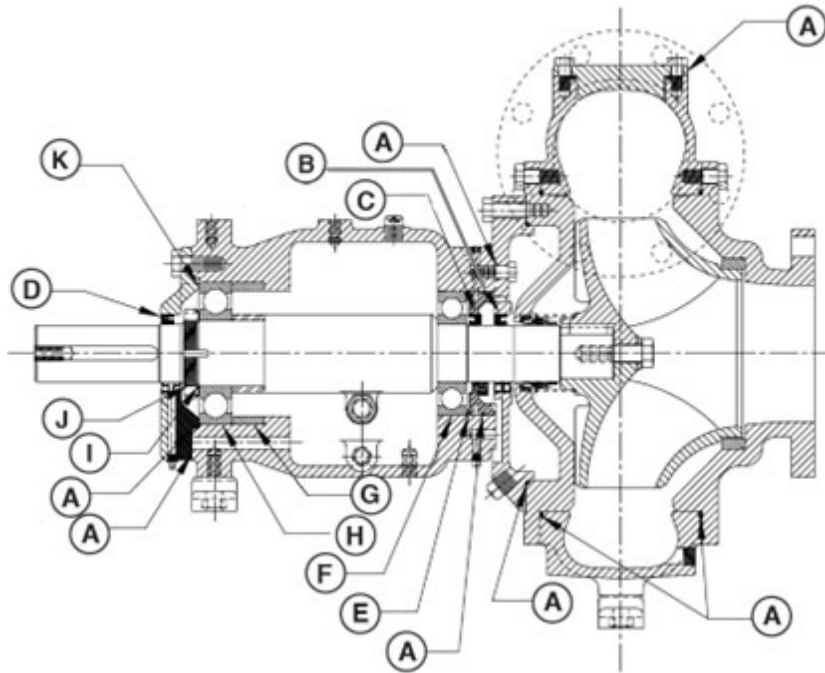
Qty.	Id	Description
1	A	O-RING KIT, COMPLETE
1	B	CASSETTE SEAL, RUN DRY
1	C	MECHANICAL SEAL, T31
1	D	KIT, IMPELLER SHIM
1	E	KEY, IMPELLER
1	F	KIT, LOCKWASHER
1	-	P-80 LUBRICANT, 10ML TUBE

BEARING PARTS KIT

PUMP MODELS: 66S12/66S14/64S12/88S12

The mechanical seal kit and bearing frame kits are offered separately. We recommend ordering both kits for a major service. Both the Mechanical Seal and Bearing Frame kits include all O-rings needed for service.

PARTS DRAWING – 373000100 BEARING FRAME PARTS KIT

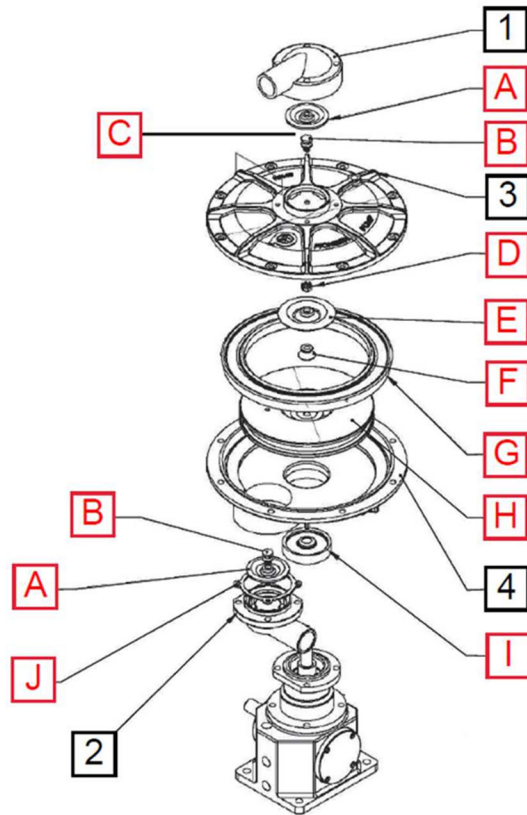


373000100 – Bearing Frame Kit		
Qty.	Id	Description
1	A	O-RING KIT, COMPLETE
1	B	CASSETTE SEAL, RUN DRY
1	C	CASSETTE SEAL, IMPELLER END
1	D	CASSETTE SEAL, DRIVE END
1	E	WAVE SPRING
1	F	BEARING, IMPELLER END
1	G	SPACER, BEARING
1	H	BEARING, DRIVE END
1	I	WASHER, BEARING
1	J	NUT, BEARING
1	K	SHIM KIT, BEARING
3	-	TAPERED PLUG, SIZE 000

VACUUM PUMP REBUILD

UPPER CHAMBER KIT

PARTS DRAWING – 374000102 UPPER VACUUM PUMP KIT



374000102 – UPPER VACUUM PUMP KIT

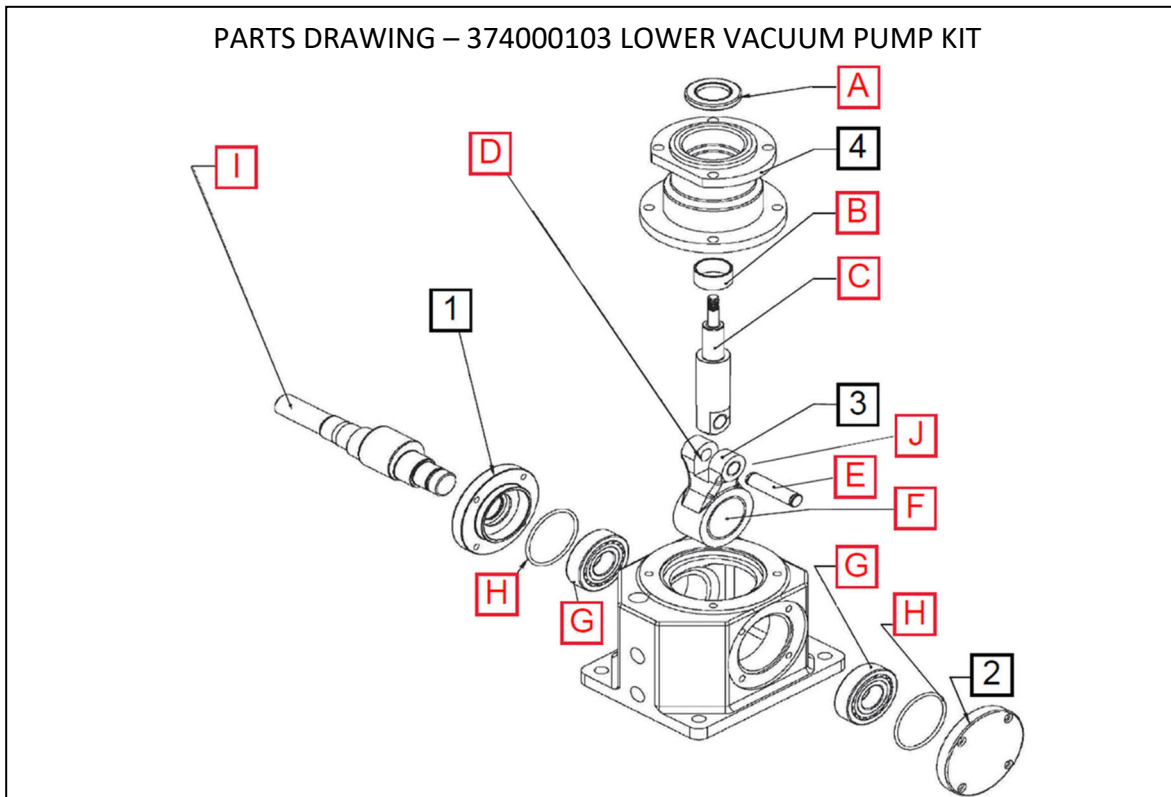
Qty.	Id	Description
2	A	INLET/EXHAUST VALVE
2	B	INLET/EXHAUST VALVE STUD
1	C	COTTER PIN
1	D	CASTLE NUT
1	E	ACTUATOR VALVE
1	F	ACTUATOR WASHER
1	G	ACTUATOR SEAL
1	H	ACTUATOR
1	I	NECK SEAL
1	J	INLET NOZZLE GASKET
8	-	HOUSING FASTENER
1	-	FLAT WASHER

NOT INCLUDED IN KIT

Id	Description	Part No.
1	EXHAUST NOZZLE	33617320
2	INLET NOZZLE	33617318
3	UPPER HOUSING	33617310
4	LOWER HOUSING	33617309

VACUUM PUMP REBUILD

LOWER CHAMBER KIT

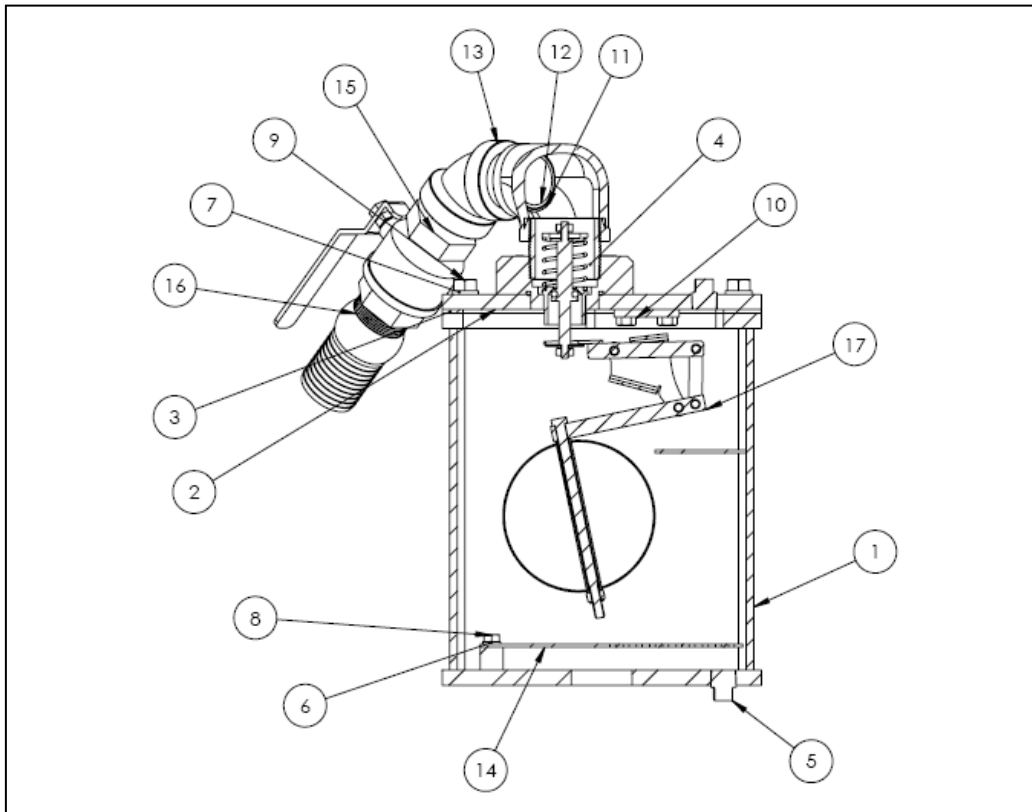


374000103 – LOWER VACUUM PUMP KIT		
Qty.	Id	Description
1	A	ACTUATOR SHAFT LIP SEAL
1	B	ACTUATOR SHAFT GUIDE BUSHING
1	C	ACTUATOR SHAFT WITH BUSHING
2	D	CONNECTING ROD BUSHING, SMALL
1	E	FULCRUM PIN
1	F	CONNECTING ROD BEARING, LARGE
2	G	SHAFT END BEARING
2	H	BEARING CAP O-RING
1	I	CRANK SHAFT
1	J	FULCRUM PIN RETAINING RING
1	-	BEARING LOCKNUT
1	-	BEARING LOCKWASHER
1	-	BEARING CAP LIP SEAL
1	-	PEDESTAL O-RING
1	-	THUMBSCREW
4	-	STUD ASSEMBLY

NOT INCLUDED IN KIT		
Id	Description	Part No.
1	BEARING CAP, SHAFT END	33602316
2	CONNECTING ROD	33603314
3	PEDESTAL	33601312
4	BEARING CAP, REAR	33602317

PRIMING CHAMBER

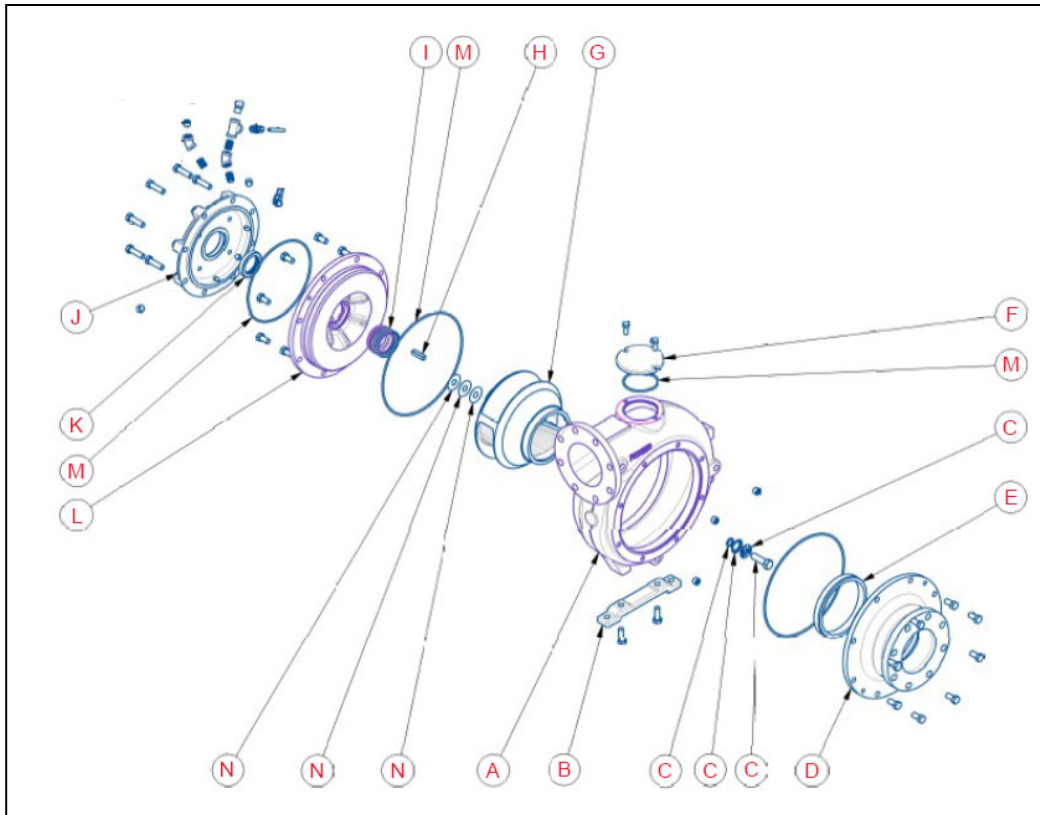
SUBASSEMBLIES (STANDARD BUILD)



Item #	Id	Description
13156969	1	PRIMING CHAMBER
104157207	2	PRIMING CHAMBER LID
318486974	3	LID GASKET
106003704C	4	PRIMING VALVE SUB-ASSY
31138103	5	PIPE PLUG, ½ NPT SQUARE HEAD
37821213	6	.31 SPLIT LOCK WASHER
32839401	7	.50 SPLIT LOCK WASHER
37621031C075	8	BOLT, .31-18UNC x .75
32632050C125	9	BOLT, .50-13UNC x 1.25
37621038C062	10	BOLT, .38-16UNC x .63
30838110	11	ELBOW, 2" x 1-1/2" NPT, 90°
30638311	12	NIPPLE, 1-1/2", CLOSE
30838133	13	ELBOW, 1-1/2" NPT, 45°
102216896	14	STRAINER PLATE
32200102	15	BALL VALVE, 1-1/2"
31638104	16	KING NIPPLE, 1-1/2" MPT x 2" HO
1060016945	17	LINKAGE ASSY, GEN3 FIXED BALL

WET END PARTS

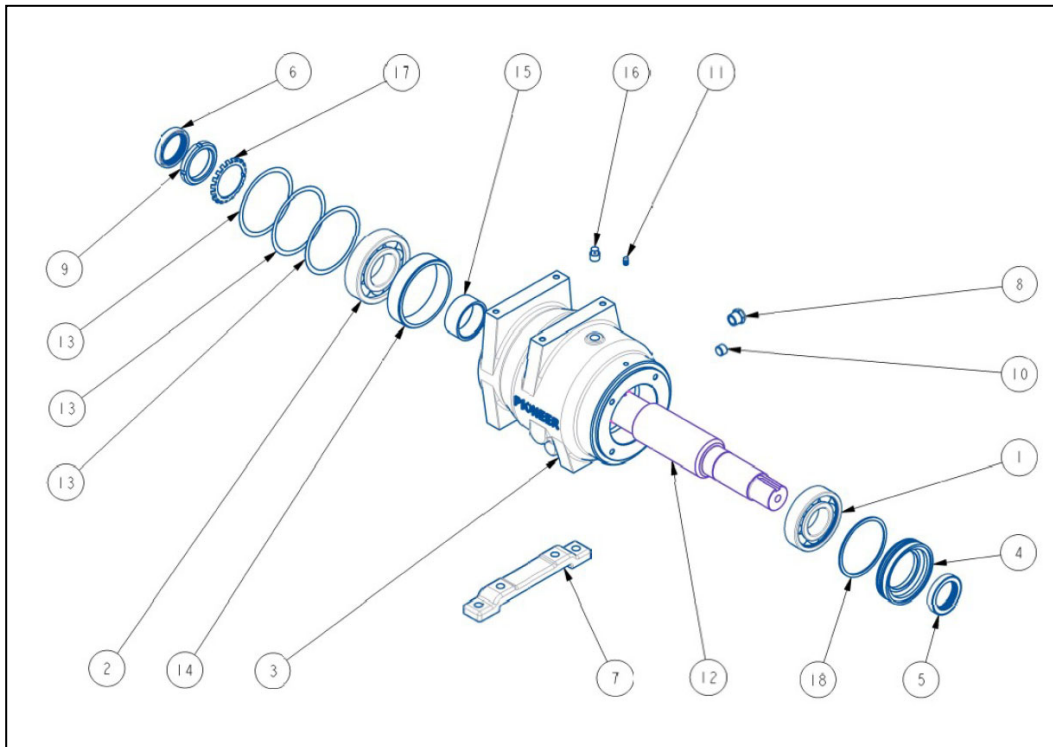
PUMP MODEL: 66S12 (STD. MATERIALS)



Qty	Id	Item #	Description
1	A	11004149	VOLUTE, DI
1	B	11904141	FOOT, MOUNTING
1	C	37500121	LOCK WASHER KIT .75-10 X 2.500
1	D	10804155	SUCTION COVER
1	E	10902175	WEAR RING
1	F	11104150	CLEANOUT COVER
1	G	11230145T11-00	IMPELLER, 11" TRIM, CA6
1	H	12227109	KEY 1/2 x 1/2 x 2.00 LG
1	I	30400172	MECHANICAL SEAL, 2.50"
1	J	116011531	BRACKET
1	K	30500179	CASSETTE SEAL, 2.50"
1	L	11504153	BACKPLATE, DI
1	M	37148102	WET END O-RING SET
1	N	32132132	SHIM KIT 2.18 x .78, IMPELLER

BEARING FRAME PARTS

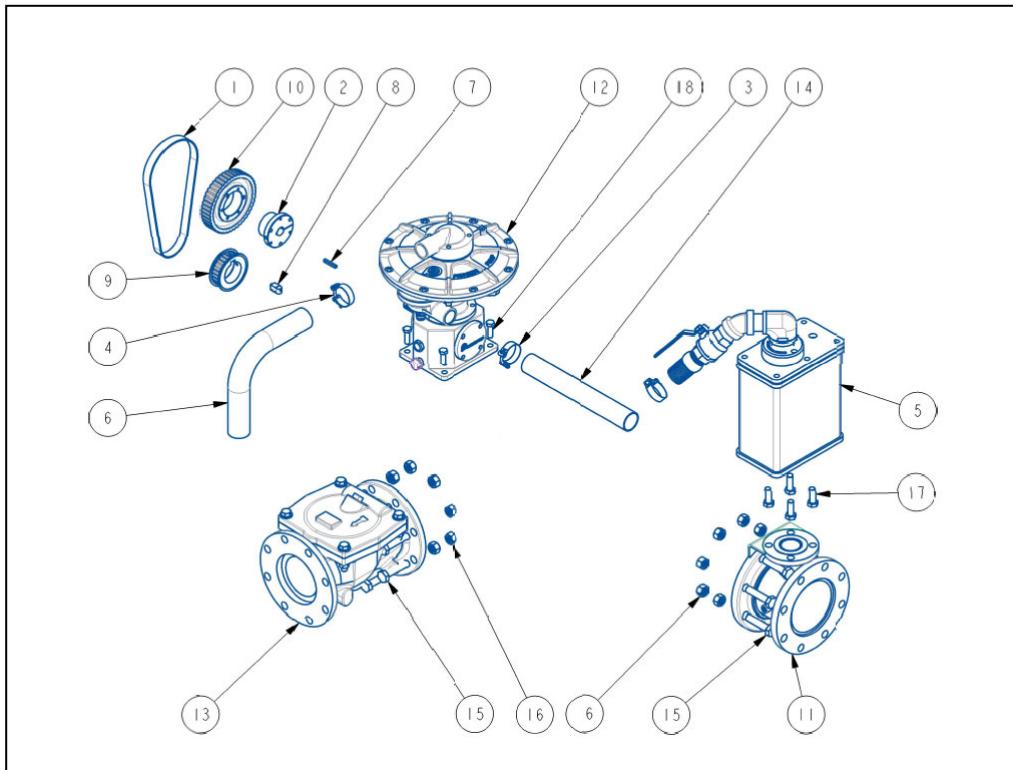
PUMP MODELS: 66S12, 66S14, 64S12, 88S12



Qty	Id	Item #	Description
1	1	31900101	BEARING, IMPELLER END
1	2	31900103	BEARING, DRIVE END
1	3	11701133	BEARING HOUSING
1	4	121021539	CARRIER LABARYNTH SEAL
1	5	30500179	CASSETTE SEAL, 2.50"
1	6	30500176	CASSETTE SEAL, 2.625"
1	7	11904141	FOOT, MOUNTING
1	8	31339103	LEVEL PLUG 3/4" NPT
1	9	32100102	NUT, BEARING
1	10	31138107	PLUG, FLUSH, 1/2" NPT
1	11	31138101	PLUG, SQ. HD, 1/8" NPT
1	12	1202714125	SHAFT BH8.5
1	13	32132121	SHIM KIT, 6.28 x 5.50
1	14	12113177	SPACER, BEARING
1	15	121131654	SPACER, BEARING SHAFT
1	16	31138922	VENT PLUG
1	17	32000102	WASHER BEARING
1	18	12100101	WAVE SPRING

PRIMING SYSTEM

SIDE MOUNT, COMPACT, 6"



Qty	Id	Item #	Description
1	1	323420H100	BELT TIMING 420H100 (SIDE MNT)
1	2	32500101	BUSHING QD/SK 1.0 BORE
1	3	31621103	CLAMP 2.5IN HOSE T-BOLT SS304
1	4	31621103	CLAMP 2.5IN HOSE T-BOLT SS304
1	5	1060015894	COMPACT PRIMING CHAMBER ASSY
1	6	31700103	HOSE 2IN X 90 DEG X 6IN LEG
1	7	12211103	KEY 1/4 x 1/4 x 1.75 LG
1	8	12211989	KEY 5/8 SQ WEDGE KEY
1	9	32400386	PULLEY 26H100 2.50"
1	10	32400102	PULLEY 44H100 QD/SK
1	11	150157006	SPOOL PRIMING 6" W/ 2" WELDED
1	12	33600101	VACUUM PUMP 50CFM
1	13	32200181	VALVE 6" CHECK
1	14	31700130	HOSE 2" ID SUCTION x 48"
16	15	32632075C325	BOLT .75-11UNC x 3.25 G5 PLATED
16	16	37721601	NUT HVY HEX .75-11UNC 304SS
4	17	32632062C175	BOLT .62-11UNC x 1.75 G5 PLATED
4	18	32632050C150	BOLT .50-13UNC x 1.50 G5 PLATED



Franklin Electric is a global leader in the manufacturing and distribution of products and systems focused on the movement and management of water. We offer pumps, motors, drives, and controls for use in a wide variety of agricultural, commercial, industrial, municipal, and residential applications.
