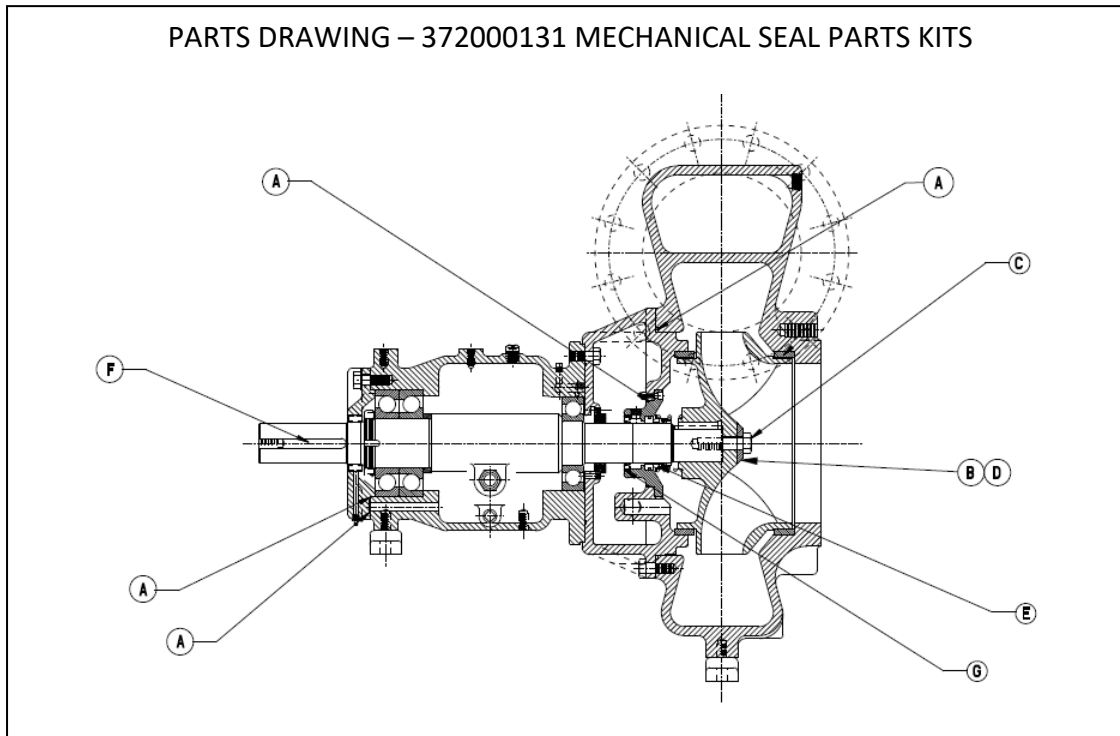


# SERVICE PARTS KITS

**PUMP MODEL: 64C14/86C14/1010C14**

The mechanical seal kit and bearing frame kits are offered separately. We recommend ordering both kits for a major service. Both the Mechanical Seal and Bearing Frame kits include all O-rings needed for service.

PARTS DRAWING – 372000131 MECHANICAL SEAL PARTS KITS



372000131 - Mechanical Seal Kit		
Qty.	Kit No.	Description
1	A	O-RING KIT, COMPLETE
1	B	IMPELLER LOCK WASHER
1	C	IMPELLER SCREW
1	D	TONG WASHER
1	E	MECHANICAL SEAL
1	F	SHAFT KEY
1	G	CASSETTE SEAL TSS 2.50"SH X 2

## ORDERING INFORMATION

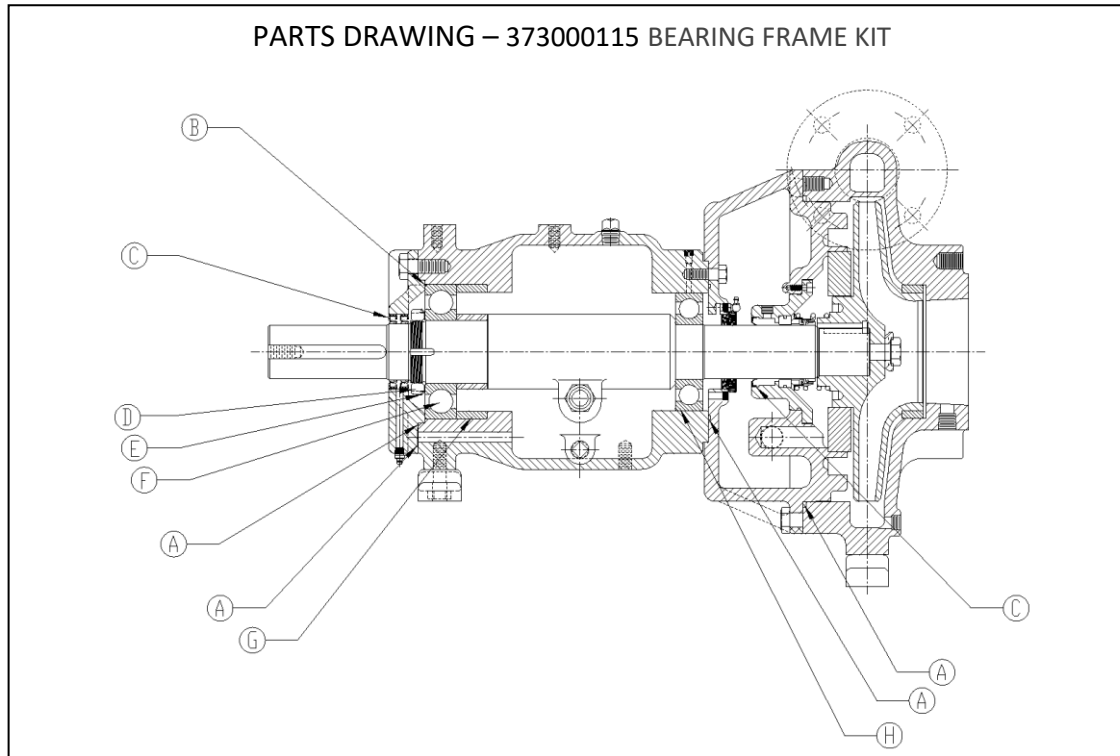
Most parts kits are in stock and available for shipment within 2 business days. You must have an active Franklin Electric account for order processing. Email orders to [PartsSales@pioneerpump.com](mailto:PartsSales@pioneerpump.com). For questions, please call Pioneer Pump at (503) 266-4115 or email us at the above email.

*NOTE: Part numbers listed reflect updated part numbers as of July 2022. Older documentation may have different part numbers. Please consult factory if differences appear. All parts included in kits are standard material. Please contact Pioneer Pump for any special requests regarding the material of component.*

# SERVICE PARTS KITS

## PUMP MODEL: 53C14/64C14

The mechanical seal kit and bearing frame kits are offered separately. We recommend ordering both kits for a major service. Both the Mechanical Seal and Bearing Frame kits include all O-rings needed for service.



373000115 - BEARING FRAME KIT		
Qty.	Kit No.	Description
1	A	O-RING KIT COMPLETE
1	B	SHIMS KIT COMPLETE
1	C	CASSETTE SEAL KIT COMPLETE
1	D	NUT
1	E	WASHER
1	F	OUTBOARD BEARING
1	G	SPACER BEARING
1	H	INBOARD BEARING

### ORDERING INFORMATION

Most parts kits are in stock and available for shipment within 2 business days. You must have an active Franklin Electric account for order processing. Email orders to [PartsSales@pioneerpump.com](mailto:PartsSales@pioneerpump.com). For questions, please call Pioneer Pump at (503) 266-4115 or email us at the above email.

*NOTE: Part numbers listed reflect updated part numbers as of July 2022. Older documentation may have different part numbers. Please consult factory if differences appear. All parts included in kits are standard material. Please contact Pioneer Pump for any special requests regarding the material of component.*