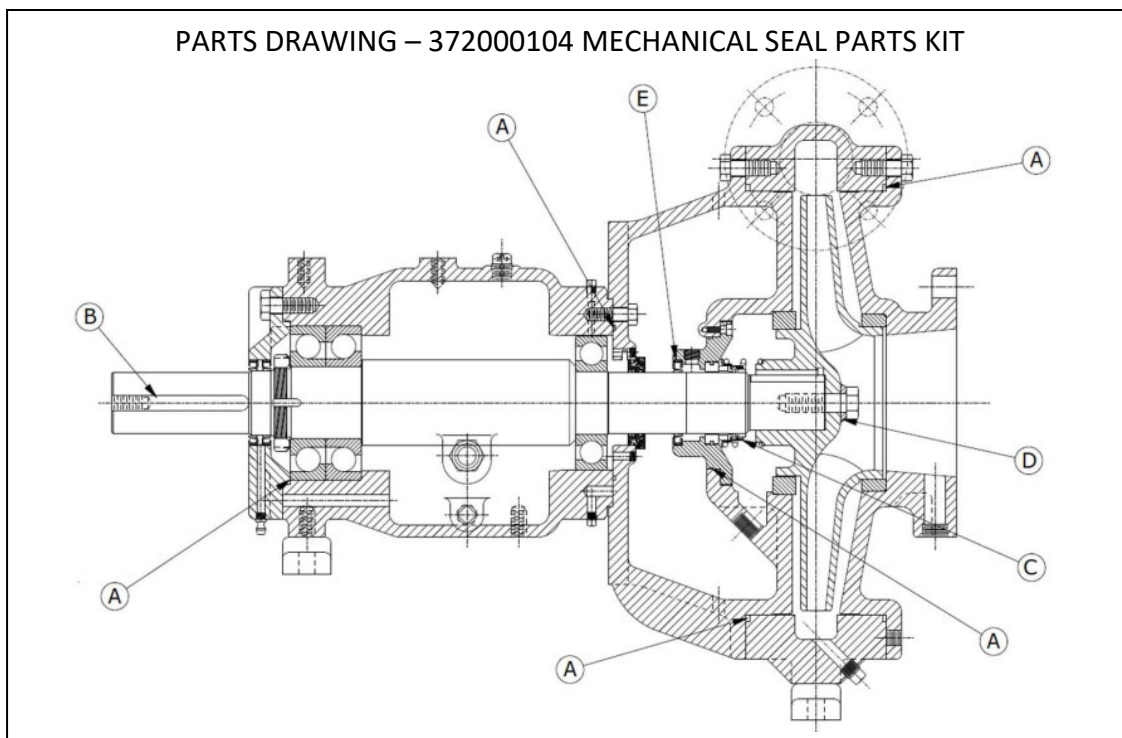




SEAL PARTS KIT

PUMP MODELS: 63C17, 64C17, 86C17/B

The mechanical seal kit and bearing frame kits are offered separately. We recommend ordering both kits for a major service. Both the Mechanical Seal and Bearing Frame kits include all O-rings needed for service.



372000104 - Mechanical Seal Kit		
Qty.	Id	Description
1	A	O-RING SET
1	B	KEY 1/2 x 1/2 x 2.50 LONG
1	C	MECHANICAL SEAL
1	D	LOCK WASHER KIT
1	E	CASSETTE SEAL
1	-	P-80 LUBRICANT, 10ML TUBE

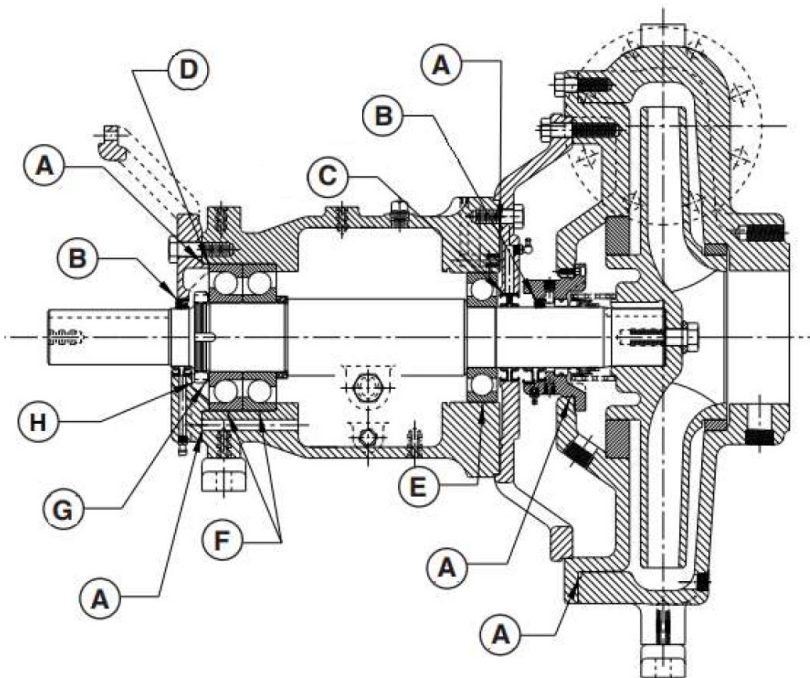


BEARING PARTS KIT

PUMP MODELS: 63C17, 64C17

The mechanical seal kit and bearing frame kits are offered separately. We recommend ordering both kits for a major service. Both the Mechanical Seal and Bearing Frame kits include all O-rings needed for service.

PARTS DRAWING – 373000108 BEARING FRAME PARTS KIT



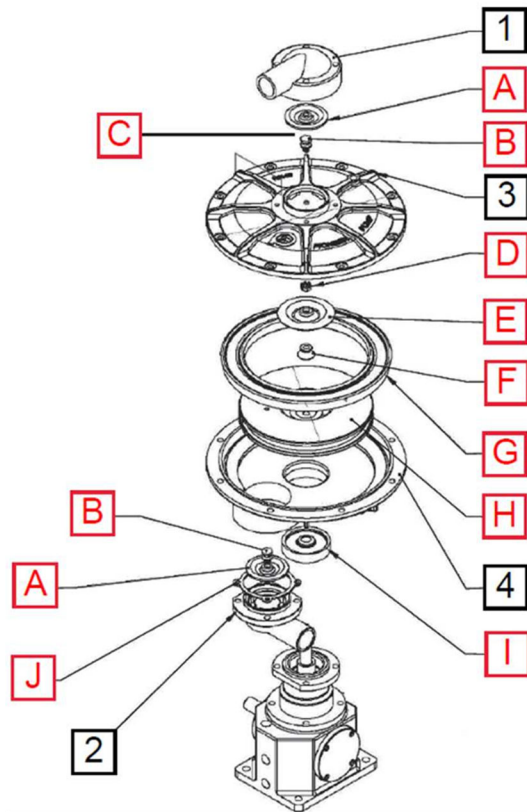
373000108 – Bearing Frame Kit		
Qty.	Id	Description
1	A	O-RINGS
1	B	BEARING SHIM SET
3	C	CASSETTE SEALS
1	D	NUT, BEARING
1	E	WASHER, BEARING
2	F	BEARINGS, DRIVE END
1	G	BEARING, IMPELLER END
3	-	TAPERED PLUG, SIZE 000



VACUUM PUMP REBUILD

UPPER CHAMBER KIT

PARTS DRAWING – 374000102 UPPER VACUUM PUMP KIT

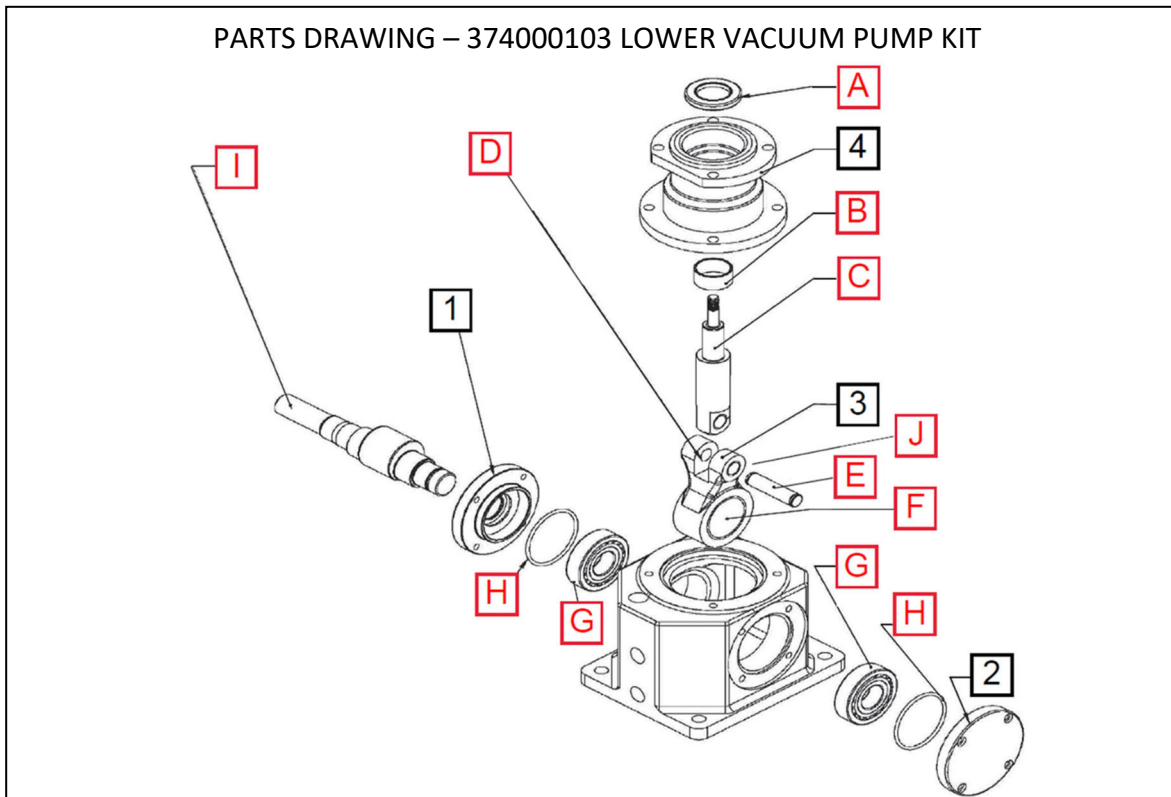


374000102 – UPPER VACUUM PUMP KIT		
Qty.	Id	Description
2	A	INLET/EXHAUST VALVE
2	B	INLET/EXHAUST VALVE STUD
1	C	COTTER PIN
1	D	CASTLE NUT
1	E	ACTUATOR VALVE
1	F	ACTUATOR WASHER
1	G	ACTUATOR SEAL
1	H	ACTUATOR
1	I	NECK SEAL
1	J	INLET NOZZLE GASKET
8	-	HOUSING FASTENER
1	-	FLAT WASHER

NOT INCLUDED IN KIT		
Id	Description	Part No.
1	EXHAUST NOZZLE	33617320
2	INLET NOZZLE	33617318
3	UPPER HOUSING	33617310
4	LOWER HOUSING	33617309

VACUUM PUMP REBUILD

LOWER CHAMBER KIT

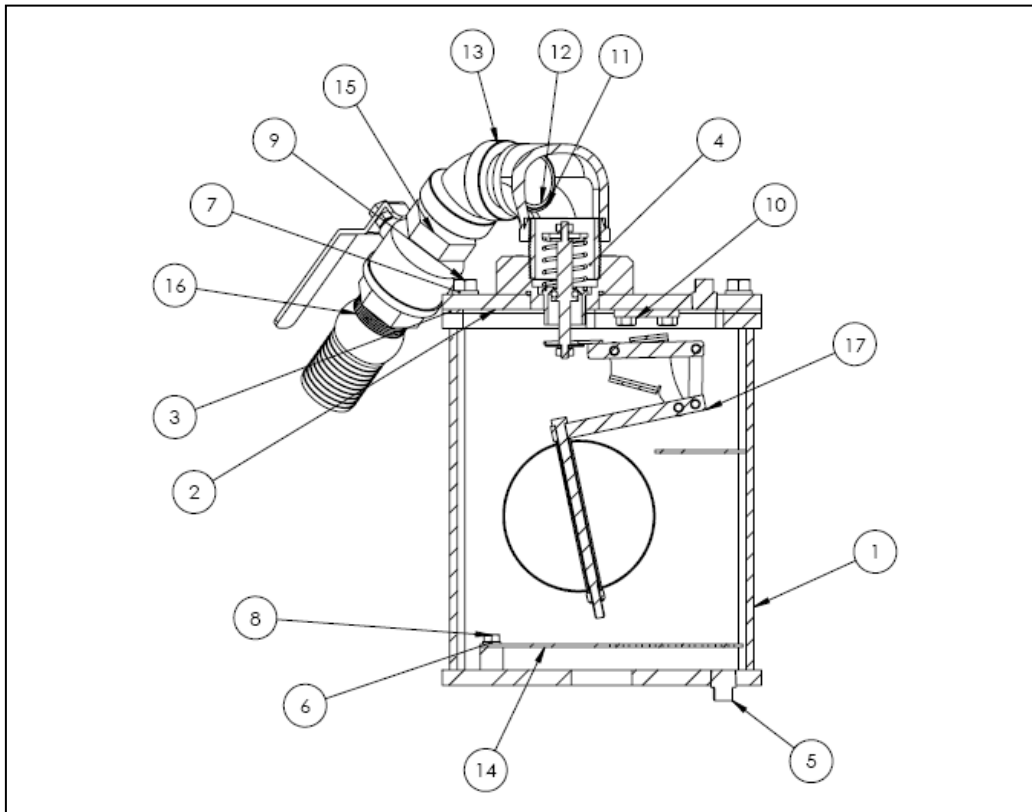


374000103 – LOWER VACUUM PUMP KIT		
Qty.	Id	Description
1	A	ACTUATOR SHAFT LIP SEAL
1	B	ACTUATOR SHAFT GUIDE BUSHING
1	C	ACTUATOR SHAFT WITH BUSHING
2	D	CONNECTING ROD BUSHING, SMALL
1	E	FULCRUM PIN
1	F	CONNECTING ROD BEARING, LARGE
2	G	SHAFT END BEARING
2	H	BEARING CAP O-RING
1	I	CRANK SHAFT
1	J	FULCRUM PIN RETAINING RING
1	-	BEARING LOCKNUT
1	-	BEARING LOCKWASHER
1	-	BEARING CAP LIP SEAL
1	-	PEDESTAL O-RING
1	-	THUMBSCREW
4	-	STUD ASSEMBLY

NOT INCLUDED IN KIT		
Id	Description	Part No.
1	BEARING CAP, SHAFT END	33602316
2	CONNECTING ROD	33603314
3	PEDESTAL	33601312
4	BEARING CAP, REAR	33602317

PRIMING CHAMBER

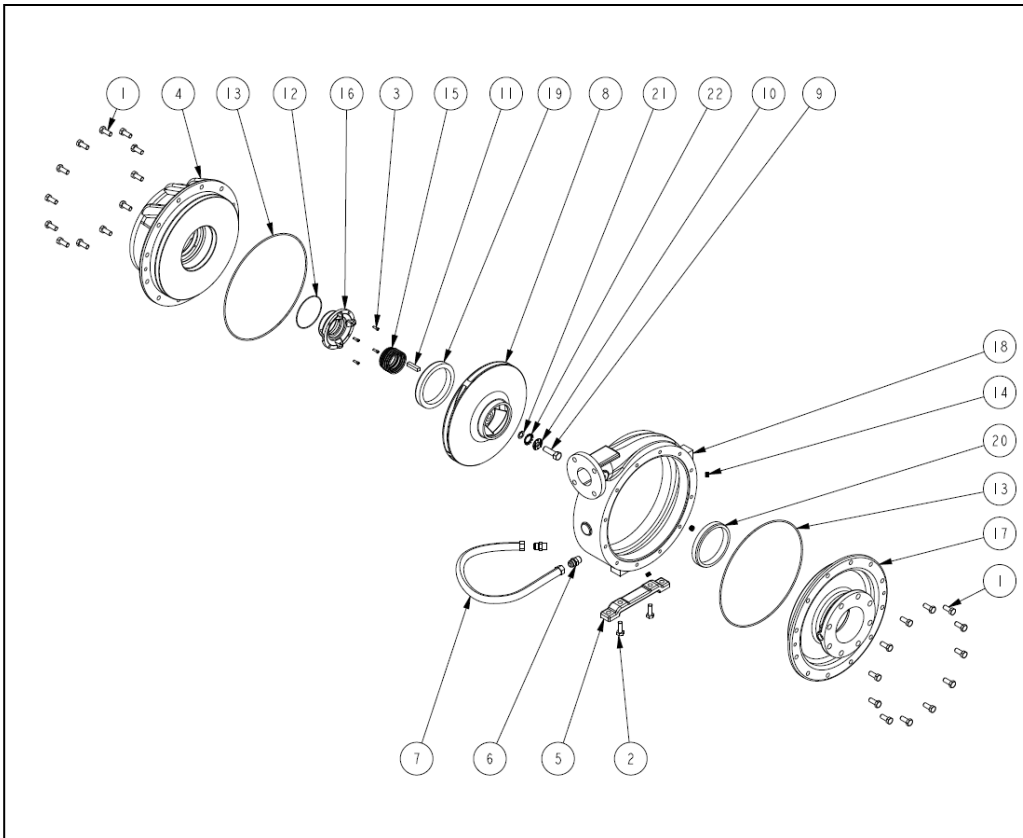
SUBASSEMBLIES (STANDARD BUILD)



Item #	Id	Description
13156969	1	PRIMING CHAMBER
104157207	2	PRIMING CHAMBER LID
318486974	3	LID GASKET
106003704C	4	PRIMING VALVE SUB-ASSY
31138103	5	PIPE PLUG, ½ NPT SQUARE HEAD
37821213	6	.31 SPLIT LOCK WASHER
32839401	7	.50 SPLIT LOCK WASHER
37621031C075	8	BOLT, .31-18UNC x .75
32632050C125	9	BOLT, .50-13UNC x 1.25
37621038C062	10	BOLT, .38-16UNC x .63
30838110	11	ELBOW, 2" x 1-1/2" NPT, 90°
30638311	12	NIPPLE, 1-1/2", CLOSE
30838133	13	ELBOW, 1-1/2" NPT, 45°
102216896	14	STRAINER PLATE
32200102	15	BALL VALVE, 1-1/2"
31638104	16	KING NIPPLE, 1-1/2" MPT x 2" HO
1060016945	17	LINKAGE ASSY, GEN3 FIXED BALL

WET END PARTS

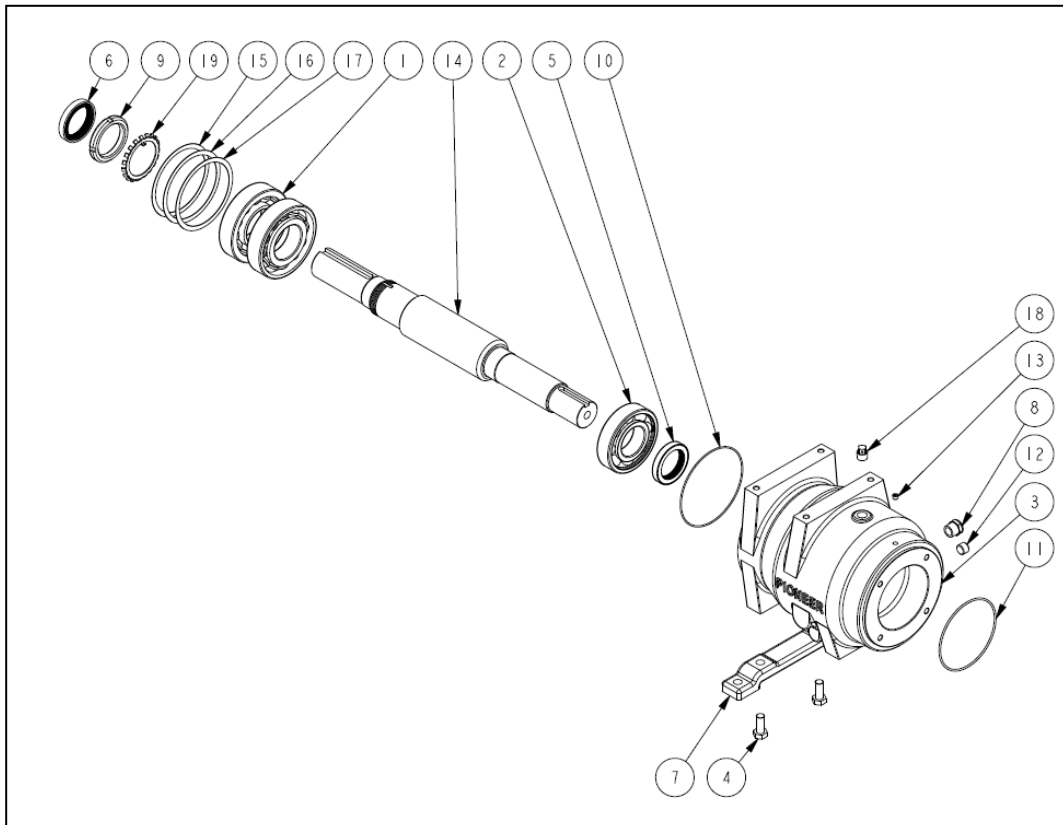
PUMP MODEL: 63C17 (STD. MATERIALS)



Qty	Id	Item #	Description
24	1	32632062C150	BOLT .62-11UNC x 1.50 G5 PL
2	2	32632062SC175	BOLT .62-11UNC x 1.75 G5 PL
4	3	37621025C075	BOLT .25-20UNC x .75 304SS
1	4	116041876	BRAC-PLATE, DI
1	5	11904141	FOOT, MOUNTING
2	6	34500225	FITTING, MPT TO MJIC 3/4 x 3/4
1	7	34500346	BALANCE LINE ASSEMBLY
1	8	112301883	IMPELLER, FULL TRIM, CA6
1	9, 10	37500121	LOCKWASHER KIT
1	11	12227112	KEY 1/2 x 1/2 x 2.50 LONG
1	12, 13	KIT00201	O-RING KIT G
3	14	31138110	PLUG, FLUSH 3/8" NPT
1	15	30400172	MECHANICAL SEAL, 2.50 ID
1	16	129041436	SEAL GLAND, DI
1	17	10804406	SUCTION COVER, DI
1	18	11004384	VOLUTE, DI
1	19	109023930	WEAR RING, HUB, CI
1	20	10902438	WEAR RING, SUCTION, CI
1	21, 22	SEE ID 9, 10	LOCKWASHER KIT

BEARING FRAME PARTS

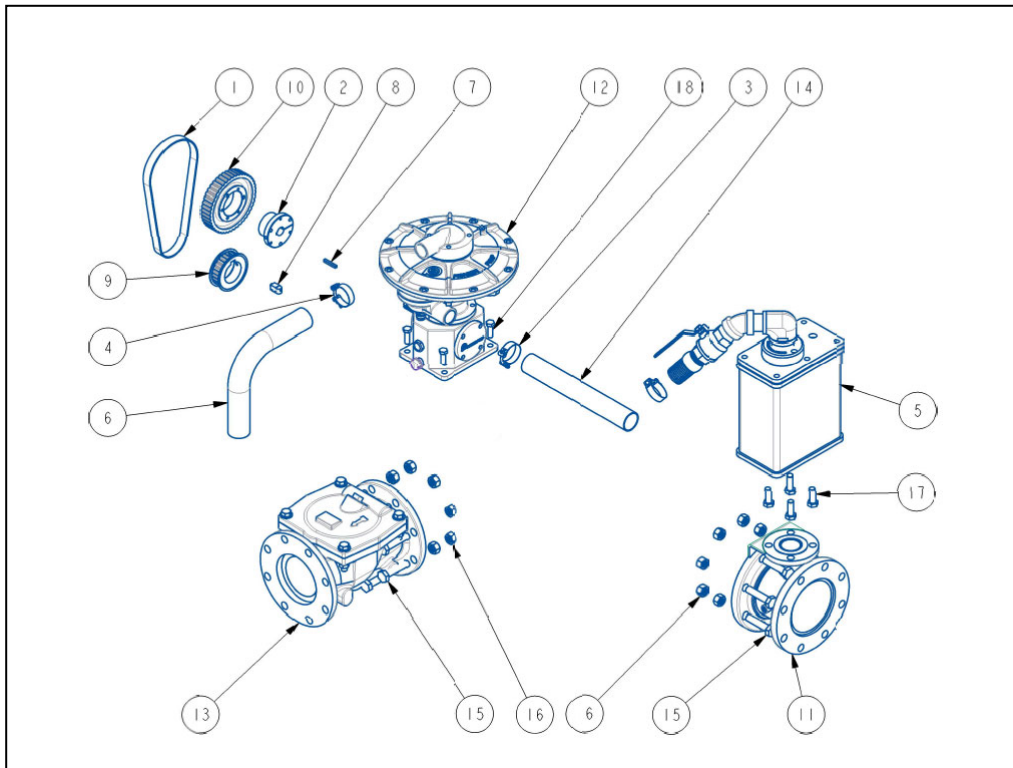
PUMP MODELS: 63C17



Qty	Id	Item #	Description
2	1	31900202	BEARINGS, DRIVE END
1	2	31900101	BEARING, IMPELLER END
1	3	11701133	BEARING HOUSING
2	4	32632062C150	BOLT .62-11UNC x 1.50 G5
1	5	30500179	CASSETTE SEAL, 2.50" ID
1	6	30500176	CASSETTE SEAL, 2.63" ID
1	7	11904141	FOOT, MOUNTING
1	8	31339103	LEVEL PLUG 3/4" NPT
1	9	32100102	NUT, BEARING
1	10, 11	KIT00201	O-RING KIT G
1	12	31138107	PLUG FLUSH 1/2" NPT
1	13	31138115	PLUG FLUSH 1/8" NPT
1	14	1202714416	SHAFT, 17-4 SS
1	15-17	SHIM-BF1	SHIM SET 6.28 x 5.50
1	18	31138922	VENT PLUG 1/2" NPT
1	19	32000102	WASHER, BEARING

PRIMING SYSTEM

TOP MOUNT, COMPACT, 3"



Qty	Id	Item #	Description
1	1	323360H100	BELT TIMING 360H100 (TOP MNT)
1	2	32500101	BUSHING, 1.0 BORE
1	3	31621103	CLAMP 2.5IN HOSE T-BOLT SS304
1	4	31621103	CLAMP 2.5IN HOSE T-BOLT SS304
1	5	1060015894	PRIMING CHAMBER ASSY
1	6	31700103	HOSE 2IN X 90 DEG X 6IN LEG
1	7	12222103	KEY 1/4 x 1/4 x 1.75 LONG
1	8	12211989	KEY 5/8 SQ WEDGE KEY
1	9	32400386	PULLEY 26H100
1	10	32400102	PULLEY 44H100
1	11	150157006	SPOOL, PRIMING
1	12	33600101	VACUUM PUMP
1	13	32200103	VALVE 3" CHECK
1	14	31700130	HOSE 2" ID SUCTION x 48"
8	15	32632075C350	BOLT .75-10UNC x 3.50 G5 PL
4	15.1	32632062C300	BOLT .62-11UNC x 3.00 G5 PL
8	16	37721701	NUT HVY HEX .75-11UNC 304SS
4	16.1	37721601	NUT HVY HEX .62-11UNC 304SS
4	17	32632062C175	BOLT .62-11UNC x 1.75 G5 PL
4	18	32632050C150	BOLT .50-13UNC x 1.50 G5 PL



Franklin Electric is a global leader in the manufacturing and distribution of products and systems focused on the movement and management of water. We offer pumps, motors, drives, and controls for use in a wide variety of agricultural, commercial, industrial, municipal, and residential applications.
