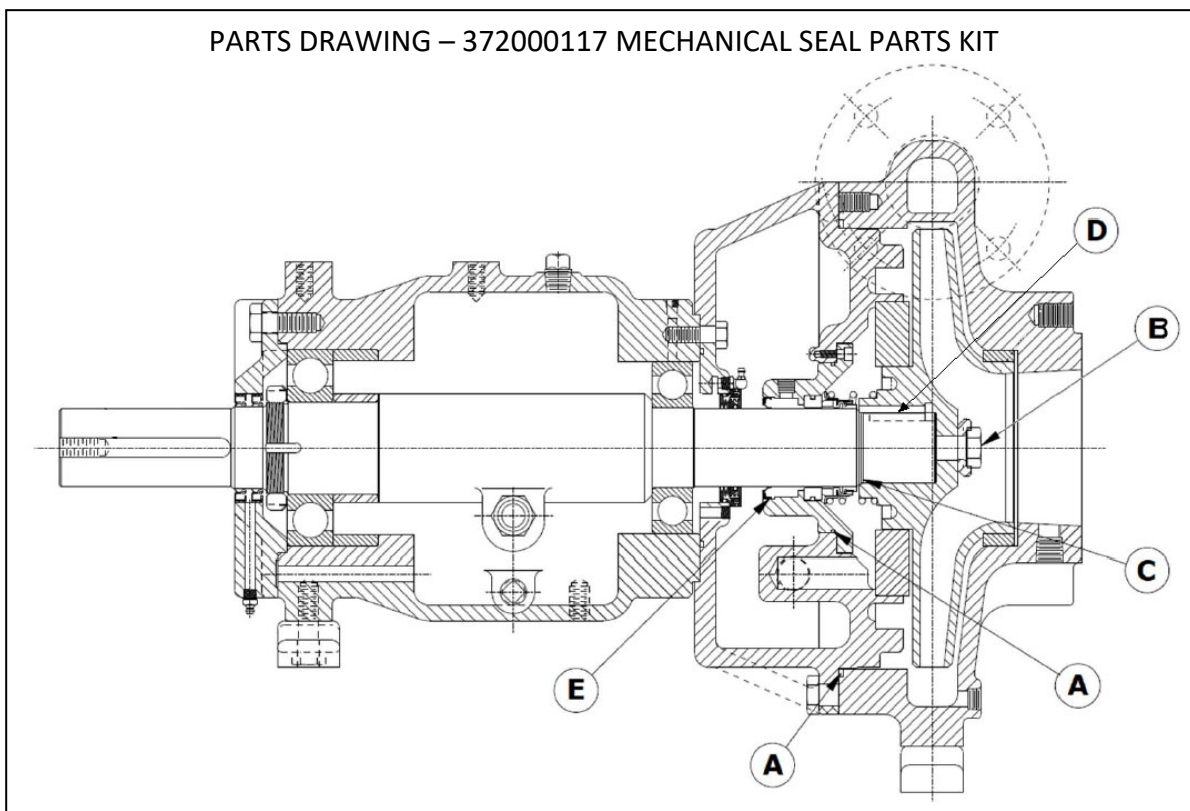




SEAL PARTS KIT

PUMP MODELS: 53C14, 64C14, 66C14

The mechanical seal kit and bearing frame kits are offered separately. We recommend ordering both kits for a major service. Both the Mechanical Seal and Bearing Frame kits include all O-rings needed for service.



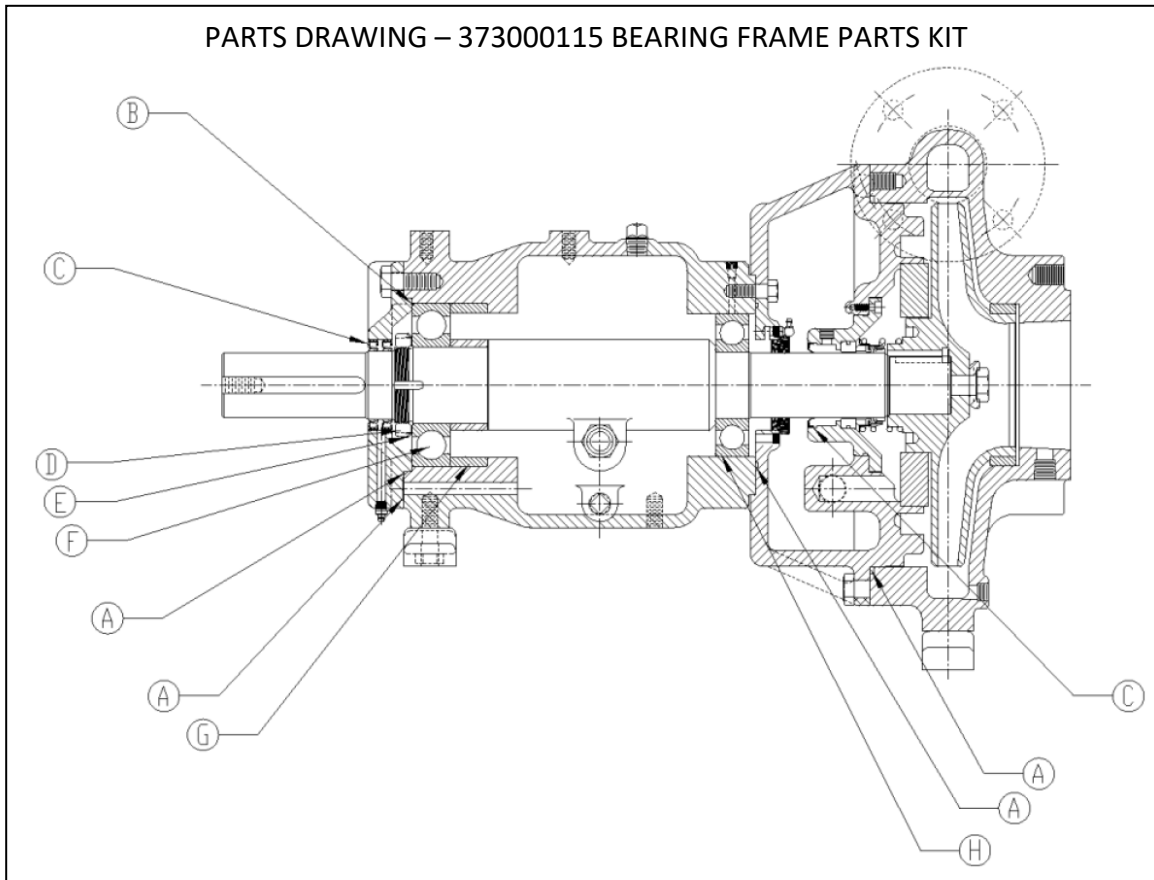
372000117 - Mechanical Seal Kit		
Qty	Id	Description
1	A	O-RINGS
1	B	LOCKWASHER KIT
1	C	MECHANICAL SEAL
1	D	IMPELLER KEY
1	E	CASSETTE SEAL
1	-	P-80 LUBRICANT, 10ML TUBE



BEARING PARTS KIT

PUMP MODELS: 53C14, 64C14

The mechanical seal kit and bearing frame kits are offered separately. We recommend ordering both kits for a major service. Both the Mechanical Seal and Bearing Frame kits include all O-rings needed for service.



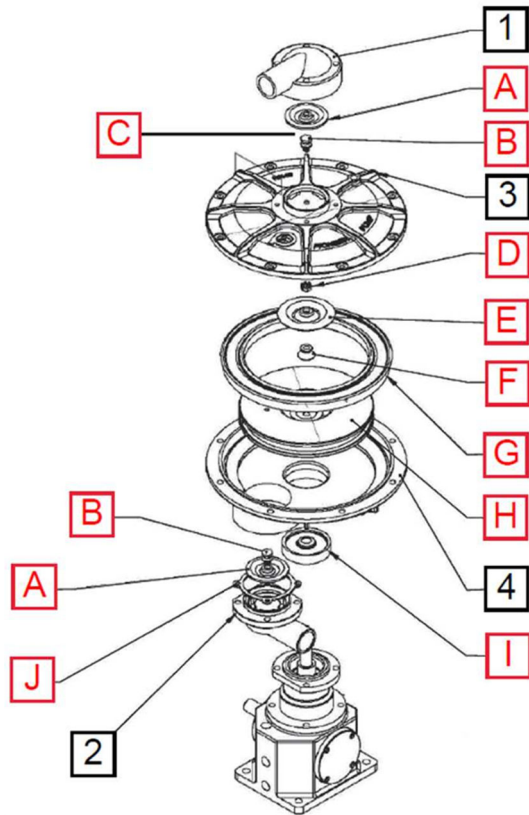
373000115 – Bearing Frame Kit		
Qty	Id	Description
1	A	O-RINGS
1	B	SHIM SET
2	C	CASSETTE SEALS
1	D	BEARING NUT
1	E	BEARING WASHER
1	F	DRIVE END BEARING
1	G	BEARING SPACER
1	H	IMPELLER END BEARING
3	-	TAPERED RUBBER PLUG



VACUUM PUMP REBUILD

UPPER CHAMBER KIT

PARTS DRAWING – 374000102 UPPER VACUUM PUMP KIT



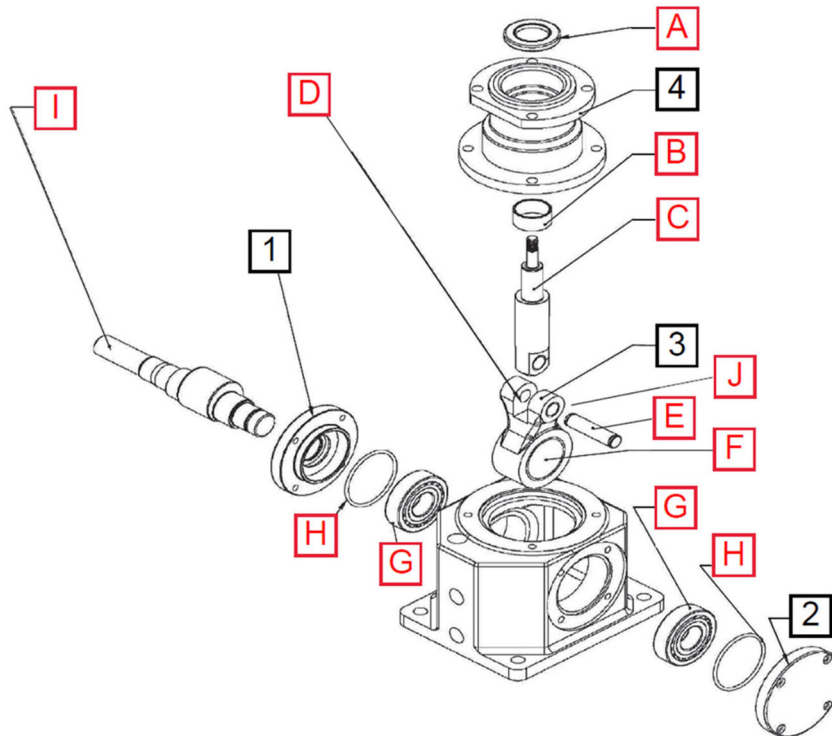
374000102 – UPPER VACUUM PUMP KIT		
Qty	Id	Description
2	A	INLET/EXHAUST VALVE
2	B	INLET/EXHAUST VALVE STUD
1	C	COTTER PIN
1	D	CASTLE NUT
1	E	ACTUATOR VALVE
1	F	ACTUATOR WASHER
1	G	ACTUATOR SEAL
1	H	ACTUATOR
1	I	NECK SEAL
1	J	INLET NOZZLE GASKET
8	-	HOUSING FASTENER
1	-	FLAT WASHER

NOT INCLUDED IN KIT		
Id	Description	Part #
1	EXHAUST NOZZLE	33617320
2	INLET NOZZLE	33617318
3	UPPER HOUSING	33617310
4	LOWER HOUSING	33617309

VACUUM PUMP REBUILD

LOWER CHAMBER KIT

PARTS DRAWING – 374000103 LOWER VACUUM PUMP KIT



374000103 – LOWER VACUUM PUMP KIT

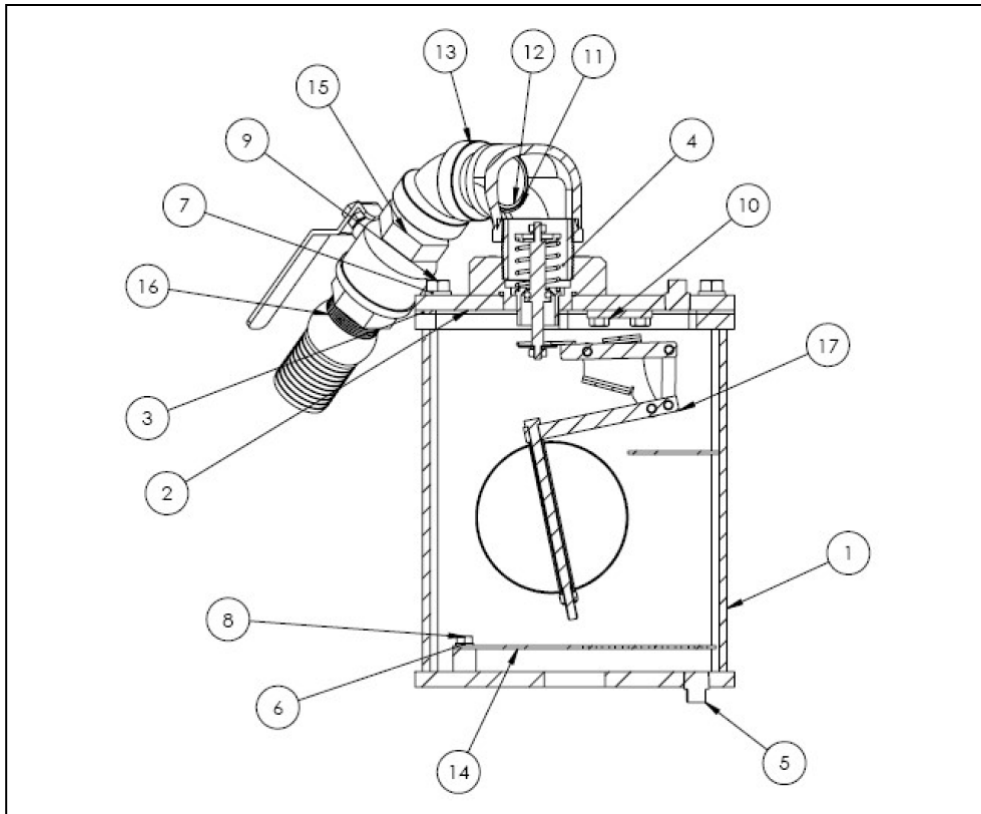
Qty	Id	Description
1	A	ACTUATOR SHAFT LIP SEAL
1	B	ACTUATOR SHAFT GUIDE BUSHING
1	C	ACTUATOR SHAFT WITH BUSHING
2	D	CONNECTING ROD BUSHING, SMALL
1	E	FULCRUM PIN
1	F	CONNECTING ROD BEARING, LARGE
2	G	SHAFT END BEARING
2	H	BEARING CAP O-RING
1	I	CRANK SHAFT
1	J	FULCRUM PIN RETAINING RING
1	-	BEARING LOCKNUT
1	-	BEARING LOCKWASHER
1	-	BEARING CAP LIP SEAL
1	-	PEDESTAL O-RING
1	-	THUMBSCREW
4	-	STUD ASSEMBLY

NOT INCLUDED IN KIT

Id	Description	Part #
1	BEARING CAP, SHAFT END	33602316
2	CONNECTING ROD	33603314
3	PEDESTAL	33601312
4	BEARING CAP, REAR	33602317

PRIMING SUBASSEMBLIES

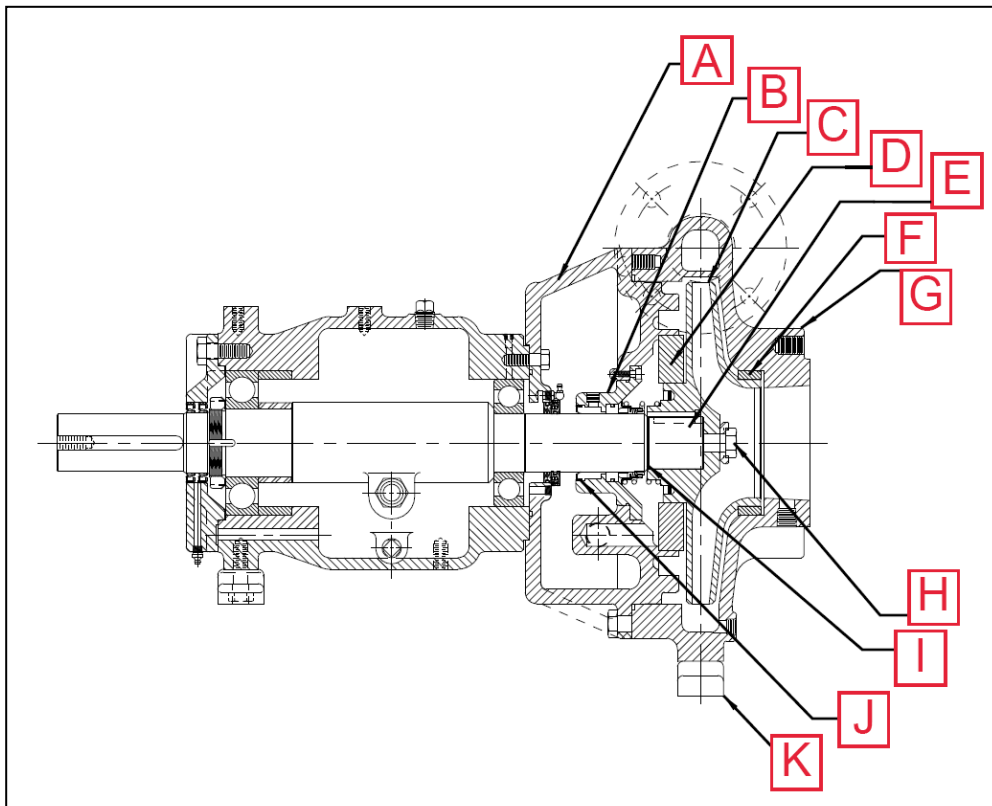
STD. MATERIALS



Qty	Id	Item #	Description
1	1	103156969	PRIMING CHAMBER BODY
1	2	104157207	PRIMING CHAMBER LID
1	3	318486974	LID GASKET
1	4	106003704C	PRIMING VALVE SUB-ASSY
2	5	31138103	PIPE PLUG, ½ NPT SQUARE HEAD
2	6	37821213	.31 SPLIT LOCK WASHER 304SS
2	7	32839401	.50 SPLIT LOCK WASHER STEEL PL
2	8	37621031C075	BOLT, .31-18UNC x .75 304SS
6	9	32632050C100	BOLT, .50-13UNC x 1.00 G5 PL
2	10	37621038C062	BOLT, .38-16UNC x .63 304SS
1	11	30838110	ELBOW, 2" x 1-1/2" NPT, 90°
1	12	30638311	NIPPLE, 1-1/2", CLOSE
1	13	30838133	ELBOW, 1-1/2" NPT, 45°
1	14	102216896	STRAINER PLATE
1	15	32200102	BALL VALVE, 1-1/2"
1	16	31638104	KING NIPPLE
1	17	1060016945	LINKAGE ASSEMBLY

WET END PARTS

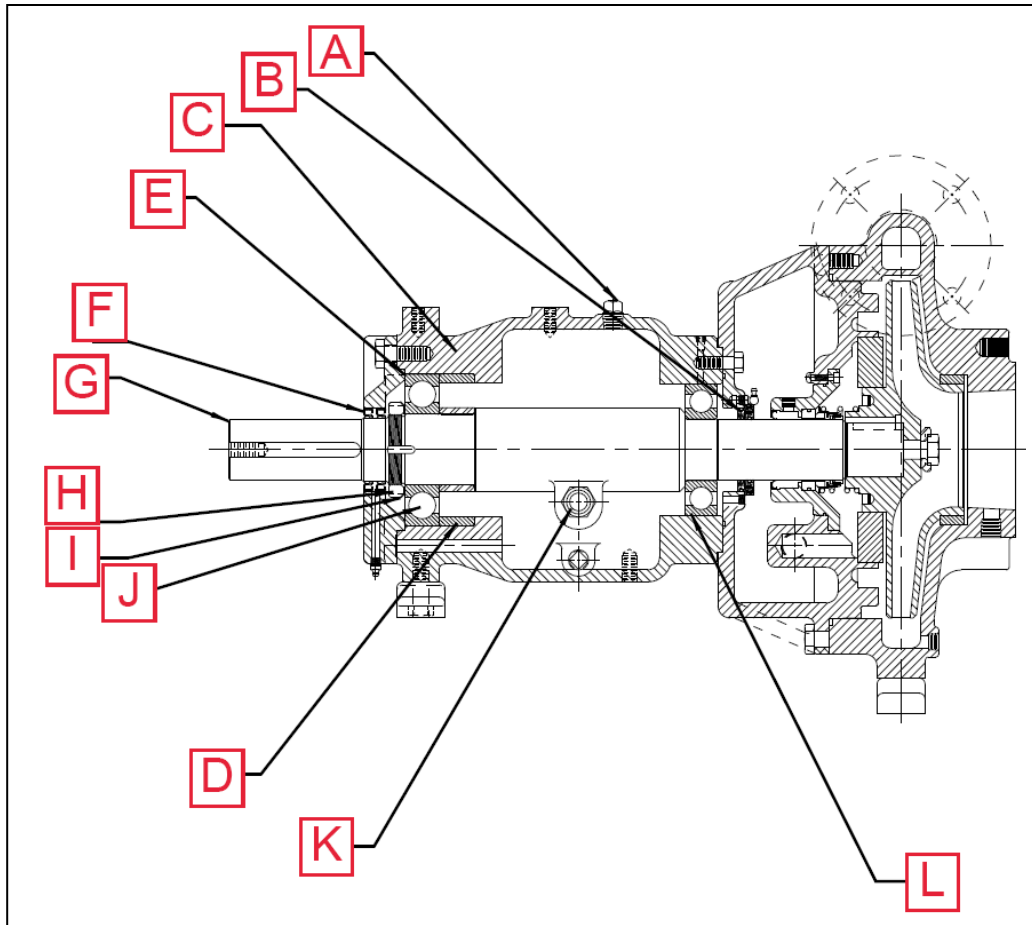
PUMP MODEL: 54C14 (STD MATERIALS)



Qty	Id	Item #	Description
1	A	116041776	BRAC-PLATE, DI
1	B	1290416798	SEAL BOX
1	C	1123010518	IMPELLER, FULL TRIM, CA6
1	D	1090208313	WEAR RING, HUB, CI
1	E	12227102	KEY 1/2 x 1/2 x 1.625 LG
1	F	109022822	WEAR RING, SUCTION, CI
1	G	110041684	VOLUTE, DI
1	H	37500121	LOCK WASHER KIT
1	I	30400172	MECHANICAL SEAL, 2.50 ID
1	J	30500179	CASSETTE SEAL
1	K	11904141	FOOT, MOUNTING
1	-	KIT00195	O-RING KIT A

BEARING FRAME PARTS

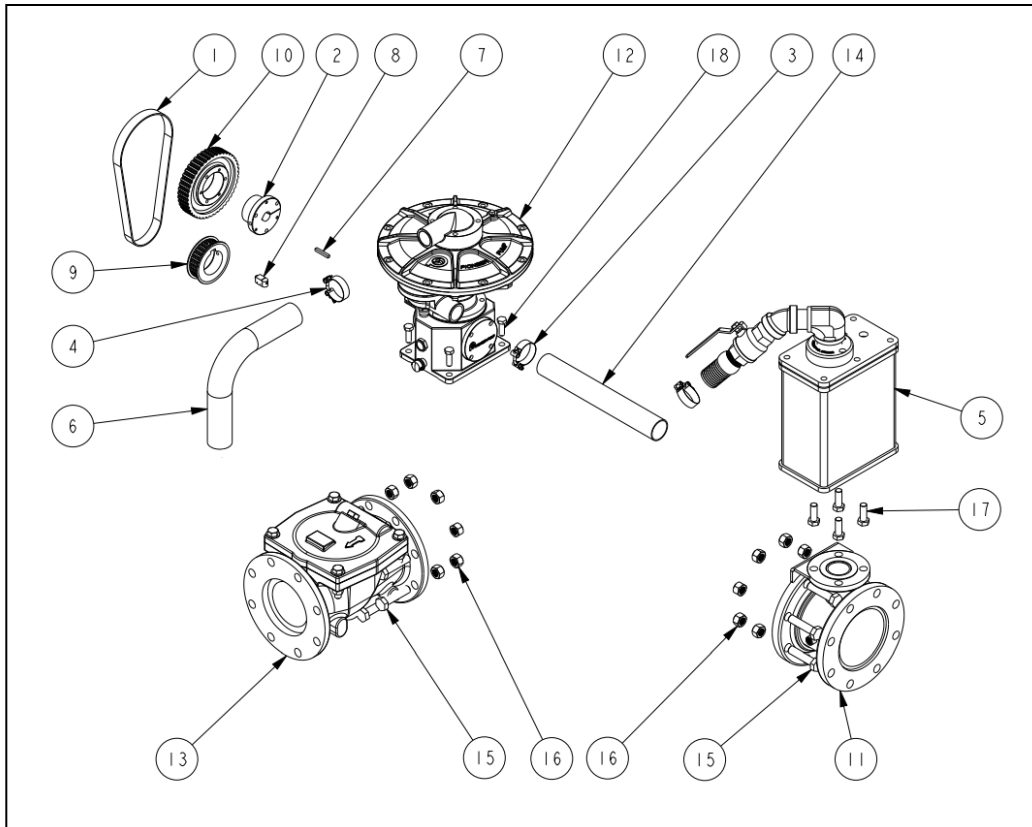
PUMP MODEL: 53C14



Qty	Id	Item #	Description
1	A	31138922	VENT PLUG 1/2" NPT
1	B	30500176	CASSETTE SEAL 2.625" ID
1	C	11701133	BEARING HOUSING
1	D	12113177	SPACER BEARING
1	E	SHIM-BF1	SHIM SET 6.28 x 5.50
1	F	30500179	CASSETTE SEAL 2.50" ID
1	G	1202719158	SHAFT, 17-4 SS
1	H	32100102	NUT, BEARING
1	I	32000102	WASHER, BEARING
1	J	31900103	BEARING, DRIVER END
1	K	31339103	LEVEL PLUG 3/4" NPT
1	L	31900101	BEARING, IMPELLER END

PRIMING SYSTEM PARTS

SIDE MOUNT, COMPACT, 3"



Qty	Id	Item #	Description
1	1	323420H100	BELT TIMING 420H100 (SIDE MNT)
1	2	32500101	BUSHING, 1.0 BORE
1	3	31621103	CLAMP 2.5IN HOSE T-BOLT SS304
1	4	31621103	CLAMP 2.5IN HOSE T-BOLT SS304
1	5	1060015894	PRIMING CHAMBER ASSY
1	6	31700103	HOSE 2IN X 90 DEG X 6IN LEG
1	7	12222103	KEY 1/4 x 1/4 x 1.75 LONG
1	8	12211989	KEY 5/8 SQ WEDGE KEY
1	9	32400386	PULLEY 26H100
1	10	32400102	PULLEY 44H100
1	11	1011512127	SPOOL, PRIMING
1	12	33600101	VACUUM PUMP
1	13	32200103	VALVE 3" CHECK
1	14	31700130	HOSE 2" ID SUCTION x 48"
8	15	32632075C350	BOLT .75-10UNC x 3.50 G5 PL
4	15.1	32632062C300	BOLT .62-11UNC x 3.00 G5 PL
8	16	37721701	NUT HVY HEX .75-11UNC 304SS
4	16.1	37721601	NUT HVY HEX .62-11UNC 304SS
4	17	32632062C175	BOLT .62-11UNC x 1.75 G5 PL
4	18	32632050C150	BOLT .50-13UNC x 1.50 G5 PL



Franklin Electric is a global leader in the manufacturing and distribution of products and systems focused on the movement and management of water. We offer pumps, motors, drives, and controls for use in a wide variety of agricultural, commercial, industrial, municipal, and residential applications.
