

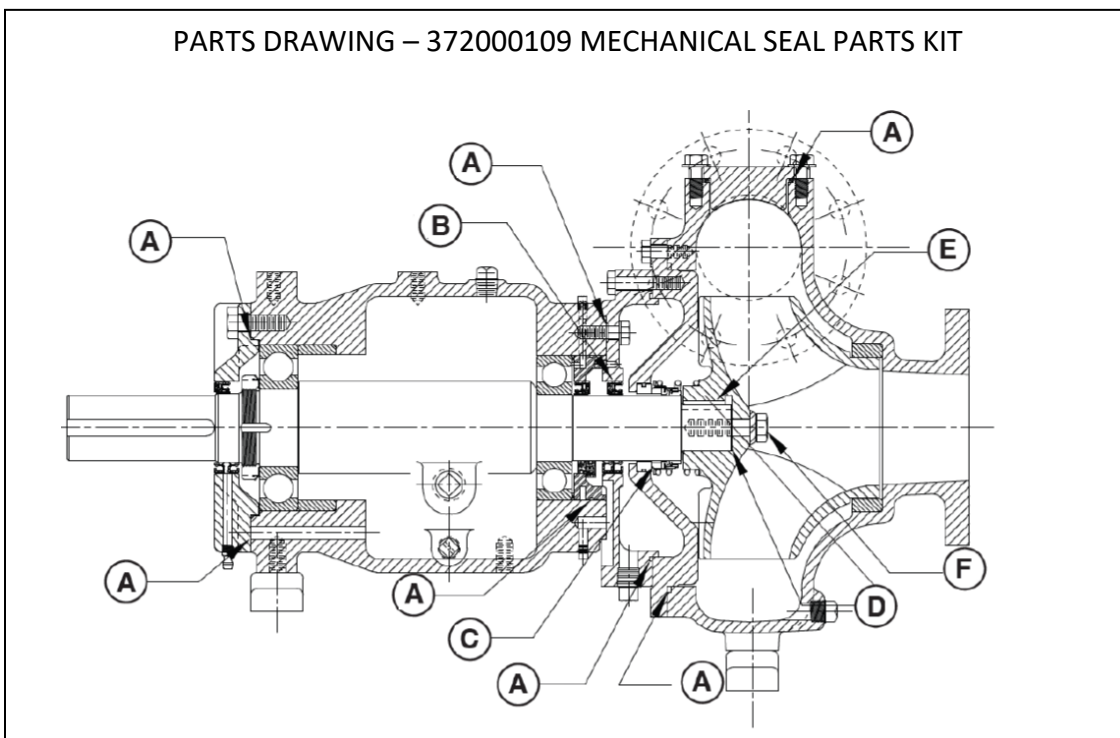


SEAL PARTS KIT

PUMP MODEL: 44S10

The mechanical seal kit and bearing frame kits are offered separately. We recommend ordering both kits for a major service. Both the Mechanical Seal and Bearing Frame kits include all O-rings needed for service.

PARTS DRAWING – 372000109 MECHANICAL SEAL PARTS KIT



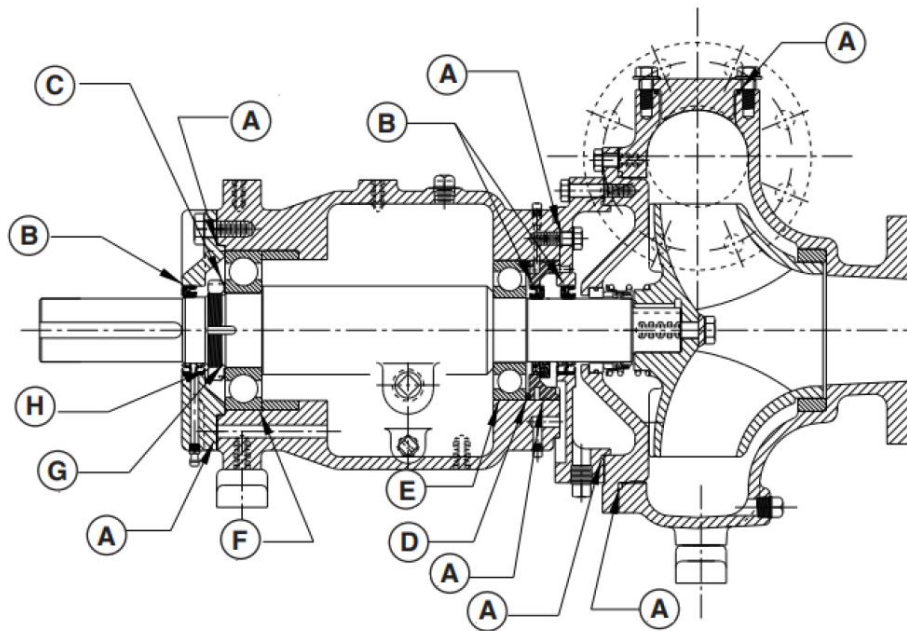
372000109 - Mechanical Seal Kit		
Qty	Id	Description
1	A	O-RING KIT, COMPLETE
1	B	CASSETTE SEAL, RUN DRY
1	C	MECHANICAL SEAL, T31
1	D	KIT, IMPELLER SHIM
1	E	KEY, IMPELLER
1	F	KIT, LOCKWASHER
1	-	P-80 LUBRICANT, 10ML TUBE

BEARING PARTS KIT

PUMP MODEL: 44S10

The mechanical seal kit and bearing frame kits are offered separately. We recommend ordering both kits for a major service. Both the Mechanical Seal and Bearing Frame kits include all O-rings needed for service.

PARTS DRAWING – 373000107 BEARING FRAME PARTS KIT

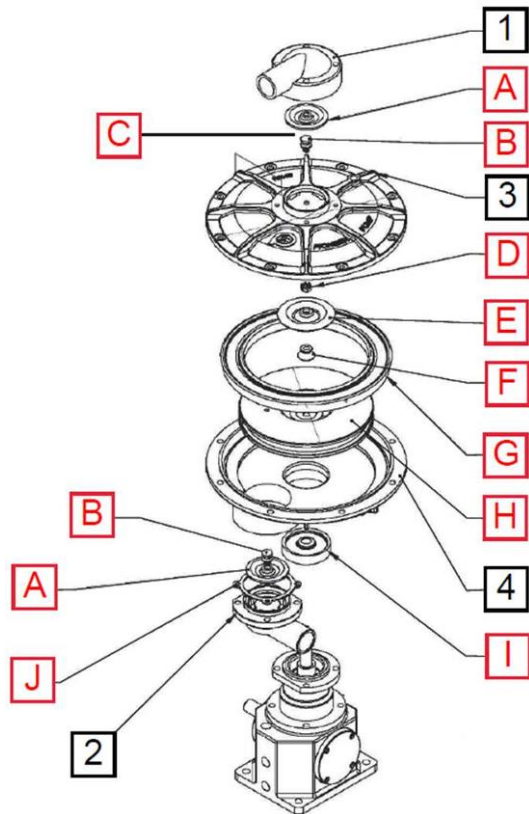


373000107 – Bearing Frame Kit		
Qty	Id	Description
1	A	O-RING KIT, COMPLETE
3	B	CASSETTE SEALS
1	C	BEARING SHIM SET
1	D	WAVE SPRING
1	E	BEARING, IMPELLER END
1	F	BEARING, DRIVE END
1	G	WASHER, BEARING
1	H	NUT, BEARING
1	-	TAPERED PLUG, SIZE 000

VACUUM PUMP REBUILD

UPPER CHAMBER KIT

PARTS DRAWING – 374000102 UPPER VACUUM PUMP KIT



374000102 – UPPER VACUUM PUMP KIT

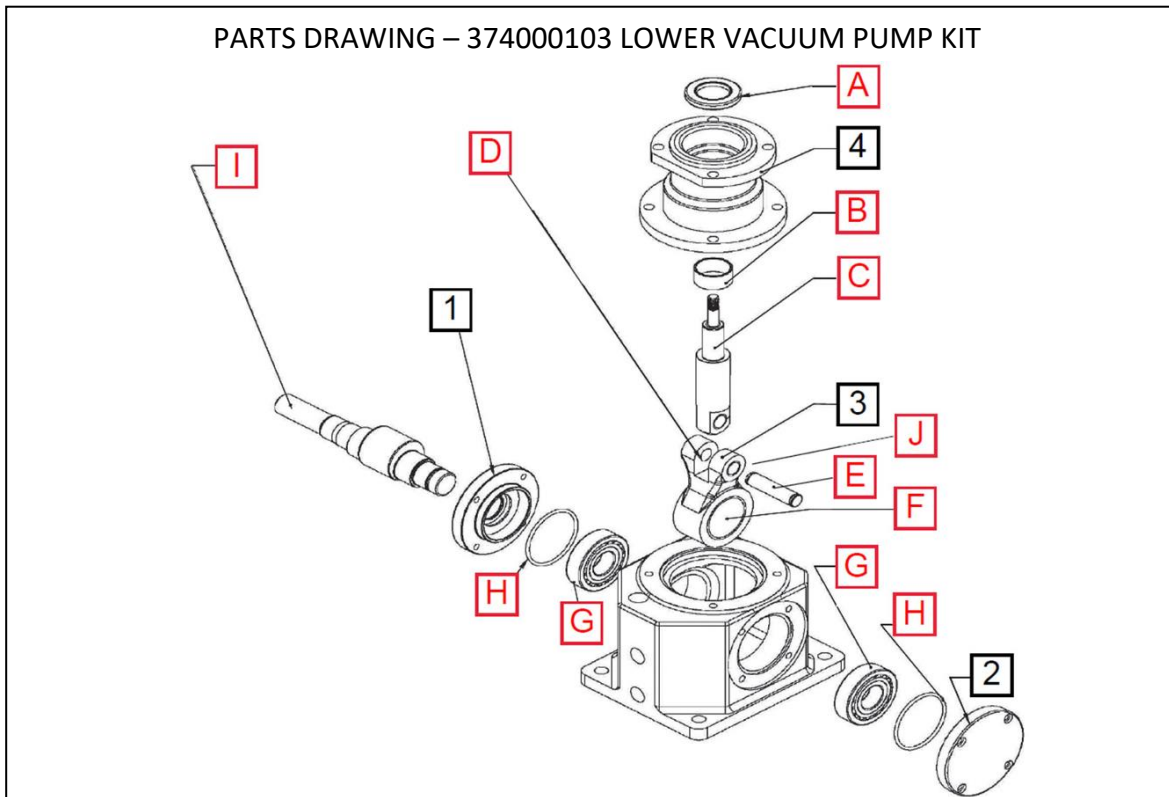
Qty	Id	Description
2	A	INLET/EXHAUST VALVE
2	B	INLET/EXHAUST VALVE STUD
1	C	COTTER PIN
1	D	CASTLE NUT
1	E	ACTUATOR VALVE
1	F	ACTUATOR WASHER
1	G	ACTUATOR SEAL
1	H	ACTUATOR
1	I	NECK SEAL
1	J	INLET NOZZLE GASKET
8	-	HOUSING FASTENER
1	-	FLAT WASHER

NOT INCLUDED IN KIT

Id	Description	Part #
1	EXHAUST NOZZLE	33617320
2	INLET NOZZLE	33617318
3	UPPER HOUSING	33617310
4	LOWER HOUSING	33617309

VACUUM PUMP REBUILD

LOWER CHAMBER KIT

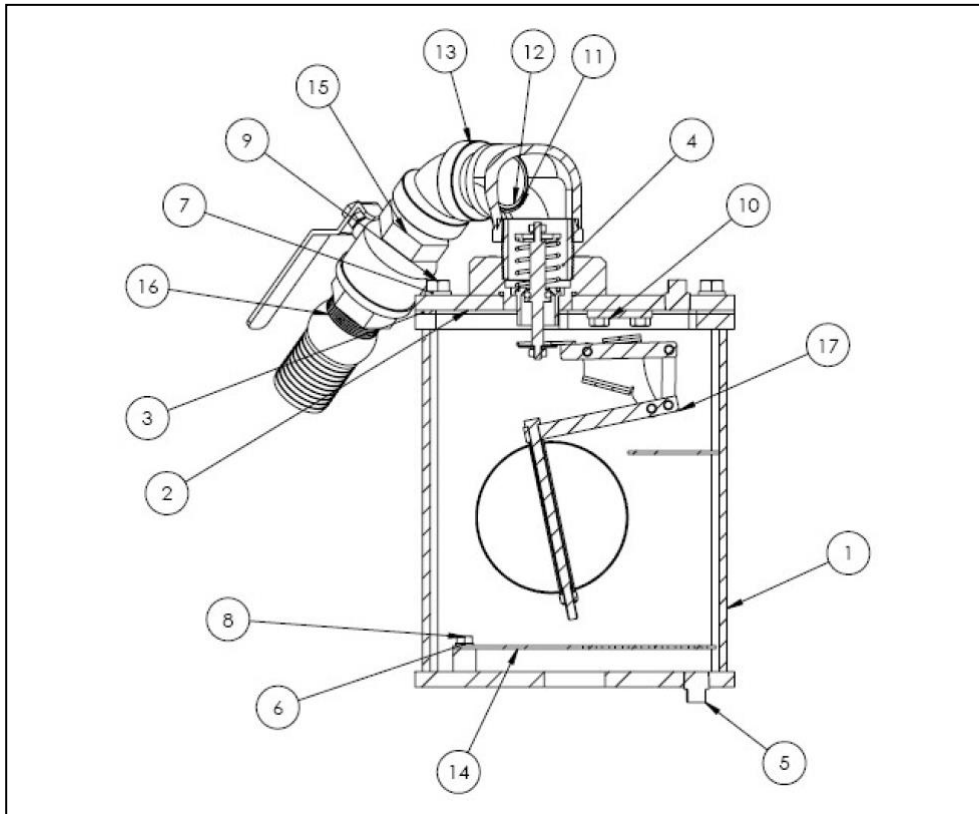


374000103 – LOWER VACUUM PUMP KIT		
Qty	Id	Description
1	A	ACTUATOR SHAFT LIP SEAL
1	B	ACTUATOR SHAFT GUIDE BUSHING
1	C	ACTUATOR SHAFT WITH BUSHING
2	D	CONNECTING ROD BUSHING, SMALL
1	E	FULCRUM PIN
1	F	CONNECTING ROD BEARING, LARGE
2	G	SHAFT END BEARING
2	H	BEARING CAP O-RING
1	I	CRANK SHAFT
1	J	FULCRUM PIN RETAINING RING
1	-	BEARING LOCKNUT
1	-	BEARING LOCKWASHER
1	-	BEARING CAP LIP SEAL
1	-	PEDESTAL O-RING
1	-	THUMBSCREW
4	-	STUD ASSEMBLY

NOT INCLUDED IN KIT		
Id	Description	Part #
1	BEARING CAP, SHAFT END	33602316
2	CONNECTING ROD	33603314
3	PEDESTAL	33601312
4	BEARING CAP, REAR	33602317

PRIMING SUBASSEMBLIES

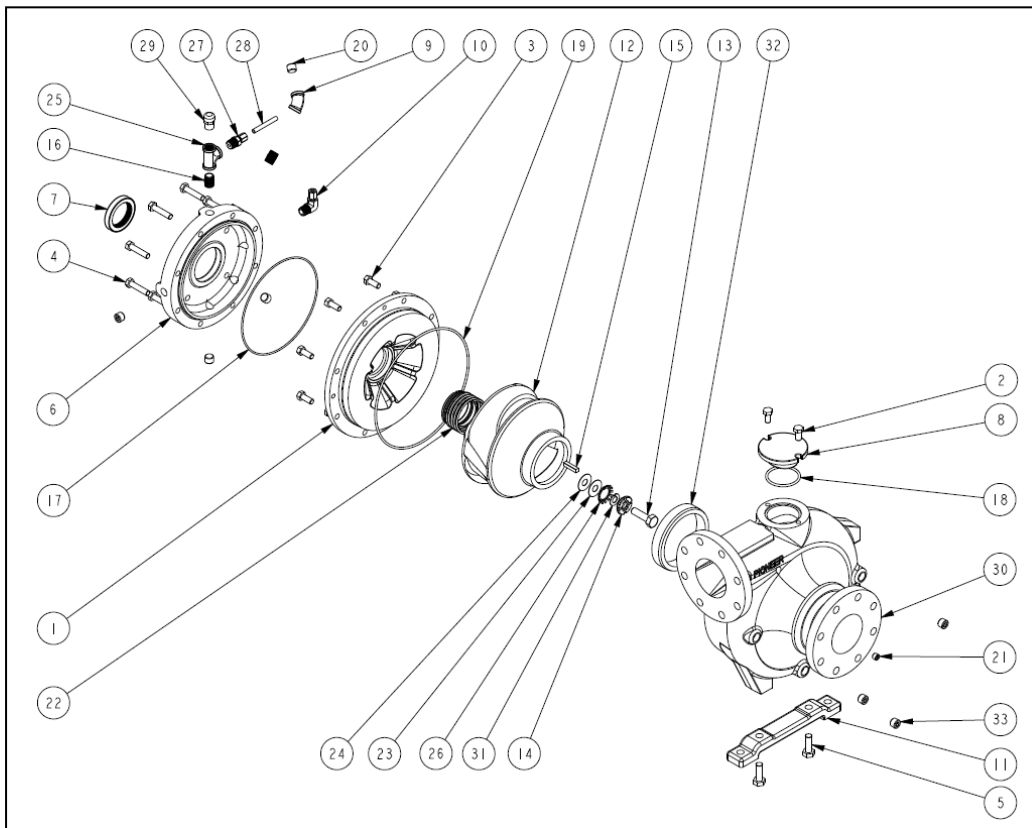
STD. MATERIALS



Qty	Id	Item #	Description
1	1	103156969	PRIMING CHAMBER BODY
1	2	104157207	PRIMING CHAMBER LID
1	3	318486974	LID GASKET
1	4	106003704C	PRIMING VALVE SUB-ASSY
2	5	31138103	PIPE PLUG, ½ NPT SQUARE HEAD
2	6	37821213	.31 SPLIT LOCK WASHER 304SS
2	7	32839401	.50 SPLIT LOCK WASHER STEEL PL
2	8	37621031C075	BOLT, .31-18UNC x .75 304SS
6	9	32632050C100	BOLT, .50-13UNC x 1.00 G5 PL
2	10	37621038C062	BOLT, .38-16UNC x .63 304SS
1	11	30838110	ELBOW, 2" x 1-1/2" NPT, 90°
1	12	30638311	NIPPLE, 1-1/2", CLOSE
1	13	30838133	ELBOW, 1-1/2" NPT, 45°
1	14	102216896	STRAINER PLATE
1	15	32200102	BALL VALVE, 1-1/2"
1	16	31638104	KING NIPPLE
1	17	1060016945	LINKAGE ASSEMBLY

WET END PARTS

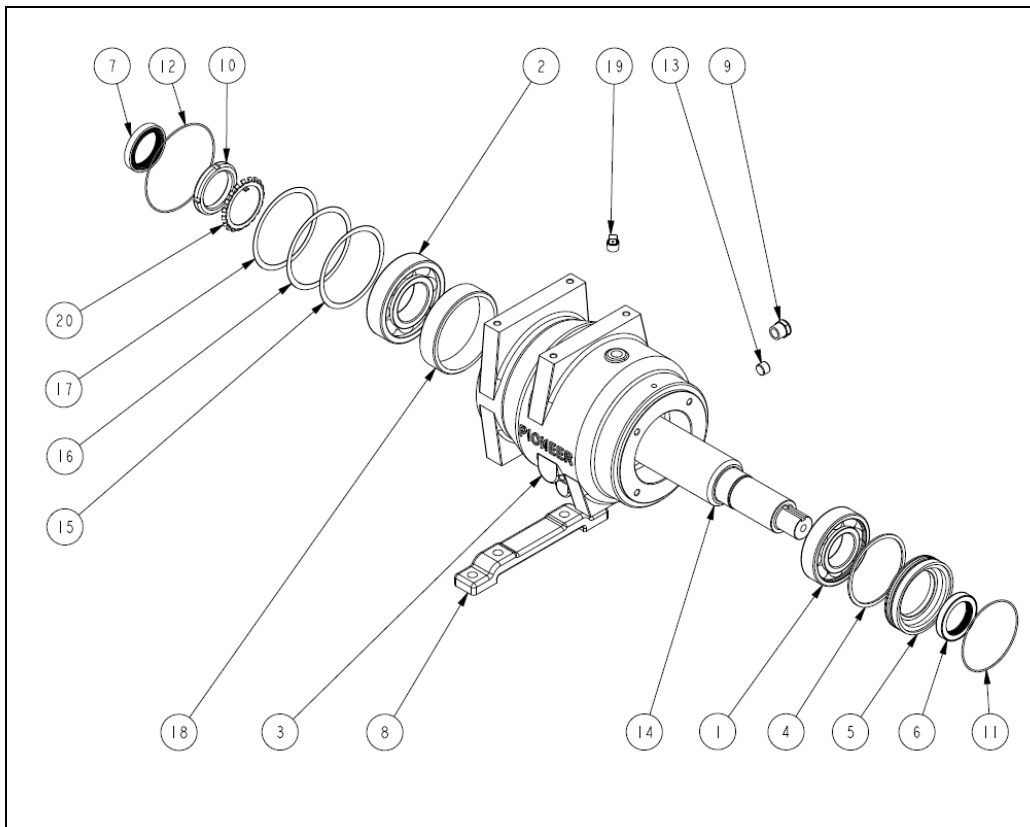
PUMP MODEL: 44S10 (STD MATERIALS)



Qty	Id	Item #	Description
1	1	11504236	BACKPLATE, DI
2	2	32632050C100	BOLT, 0.50-13UNC x 1.00 G5 ZINC
8	3	32632050C125	BOLT, 0.50-13UNC x 1.25 G5 ZINC
8	4	32632050C225	BOLT, 0.50-13UNC x 2.25 G5 ZINC
2	5	32632062C175	BOLT, 0.63-11UNC x 1.75 G5 ZINC
1	6	116011652	BRACKET
1	7	30500179	CASSETTE SEAL 2.50" ID
1	8	11104240	CLEANOUT COVER, DI
1	9	30838101	ELBOW 1/2" NPT 45 DEG
1	10	31516102	TUBE FITTING 1/2NPTx3/8TUB 90
1	11	11904141	FOOT, MOUNTING
1	12	11230158	IMPELLER, FULL TRIM, CA6
1	13	37500111	LOCK WASHER KIT
1	14	SEE ID 13	LOCK WASHER KIT
1	15	12227118	KEY 3/8 x 3/8 x 1.63 LONG
2	16	30638301	NIPPLE 1/2" NPT x CLOSE
1	17-19	KIT00197	O-RING KIT C
1	20	31138107	PLUG FLUSH 1/2" NPT
1	21	31138116	PLUG FLUSH 1/4" NPT
1	22	30400172	MECHANICAL SEAL 2.50 ID
1	23-24	SHIM-IMP3	SHIM SET 1.69 x .66
1	25	31038101	TEE 1/2" NPT
1	26	SEE ID 13	LOCK WASHER KIT
1	27	31516101	TUBE FITTING 1/2NPTx3/8
1	28	31708110	TUBING FEP, 3/8 x 1/4 x 16" LG
1	29	31339101	VENT 1/2" NPT
1	30	11004164	VOLUTE, DI
1	32	10902242	WEAR RING, OPEN
3	33	31138107	PLUG FLUSH 1/2" NPT

BEARING FRAME PARTS

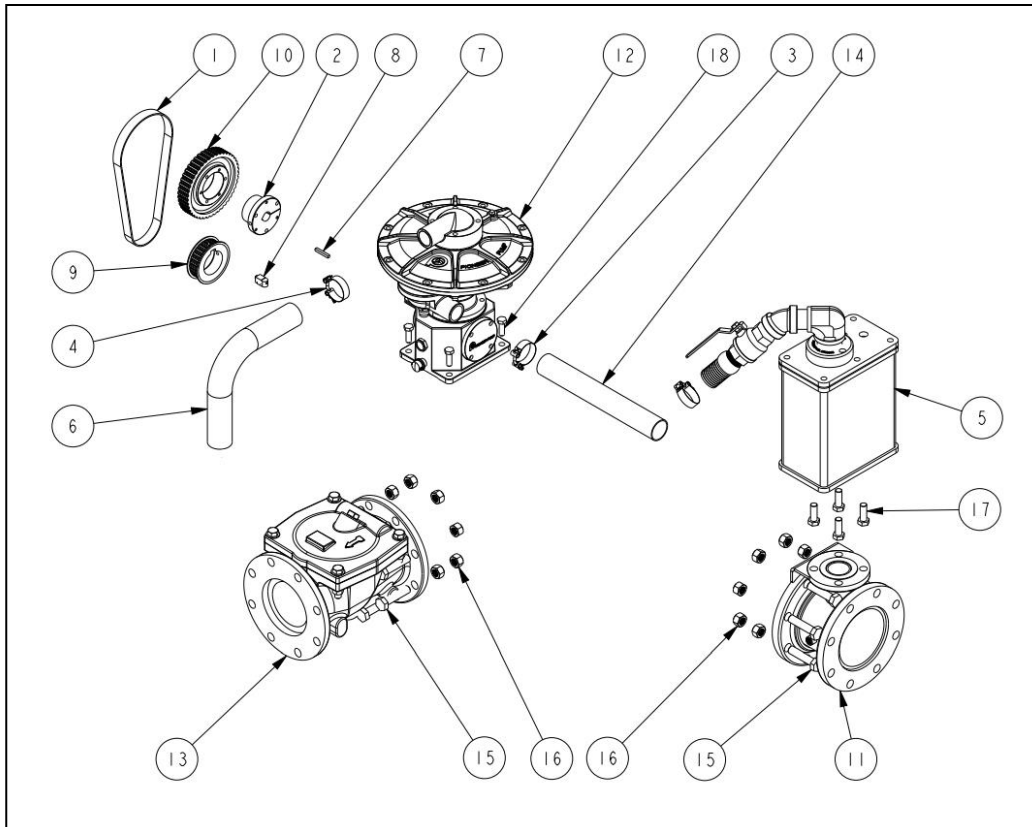
PUMP MODEL: 44S10



Qty	Id	Item #	Description
1	1	31900101	BEARING, IMPELLER END
1	2	31900103	BEARING, DRIVE END
1	3	11701133	BEARING HOUSING
1	4	12100101	WAVE SPRING
1	5	121021539	CARRIER LABARYNTH SEAL
1	6	30500179	CASSETTE SEAL 2.50" ID
1	7	30500176	CASSETTE SEAL 2.63" ID
1	8	11904141	FOOT, MOUNTING
1	9	31339103	LEVEL PLUG 3/4" NPT
1	10	32100102	NUT, BEARING
1	11-12	KIT00197	O-RING KIT C
1	13	31138107	PLUG FLUSH 1/2" NPT
1	14	1202714131	SHAFT, 17-4 SS
1	15-17	SHIM-BF1	SHIM SET 6.28 x 5.50
1	18	12113177	SPACER, BEARING
1	19	31138922	VENT PLUG 1/2" NPT
1	20	32000102	WASHER BEARING W15

PRIMING SYSTEM PARTS

SIDE MOUNT, COMPACT, 4"



Qty	Id	Item #	Description
1	1	323420H100	BELT TIMING 420H100 (SIDE MNT)
1	2	32500101	BUSHING, 1.0 BORE
1	3	31621103	CLAMP 2.5IN HOSE T-BOLT SS304
1	4	31621103	CLAMP 2.5IN HOSE T-BOLT SS304
1	5	1060015894	PRIMING CHAMBER ASSY
1	6	31700103	HOSE 2IN X 90 DEG X 6IN LEG
1	7	12222103	KEY 1/4 x 1/4 x 1.75 LONG
1	8	12211989	KEY 5/8 SQ WEDGE KEY
1	9	32400386	PULLEY 26H100
1	10	32400102	PULLEY 44H100
1	11	150156949	SPOOL, PRIMING
1	12	33600101	VACUUM PUMP
1	13	32200104	VALVE 4" CHECK
1	14	31700130	HOSE 2" ID SUCTION x 48"
16	15	32632062C300	BOLT .63-11UNC x 3.00 G5 PL
16	16	32739601	NUT HVY HEX .62-11UNC STLPL
4	17	32632062C175	BOLT .62-11UNC x 1.75 G5 PL
4	18	32632050C150	BOLT .50-13UNC x 1.50 G5 PL



Franklin Electric is a global leader in the manufacturing and distribution of products and systems focused on the movement and management of water. We offer pumps, motors, drives, and controls for use in a wide variety of agricultural, commercial, industrial, municipal, and residential applications.
