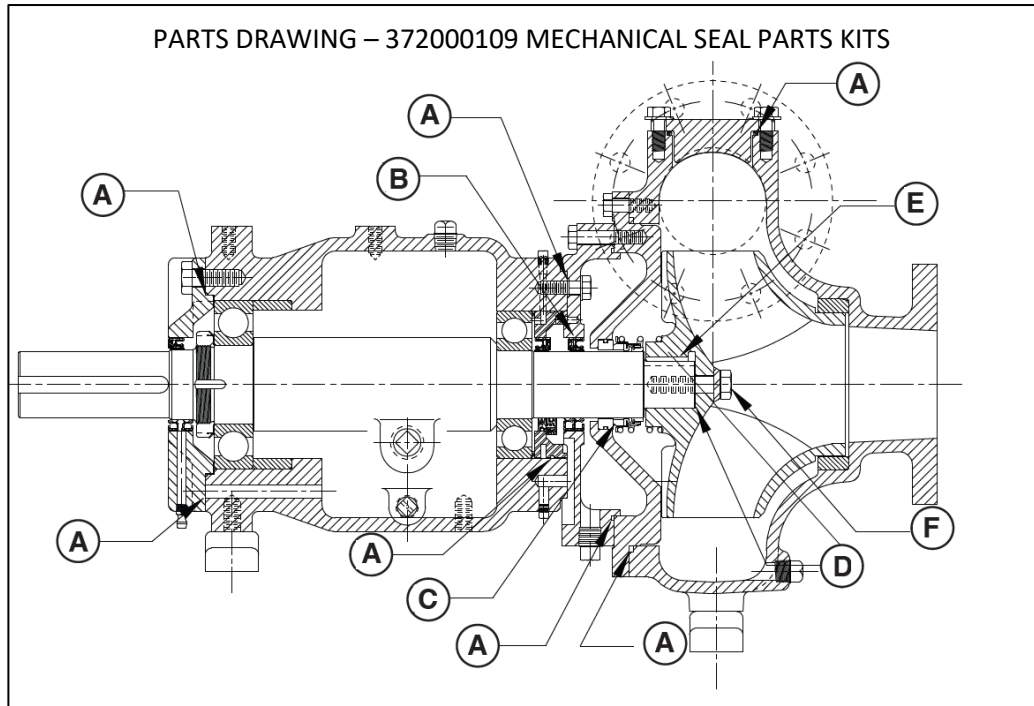


# SERVICE PARTS KITS

## PUMP MODEL: 44S10

The mechanical seal kit and bearing frame kits are offered separately. We recommend ordering both kits for a major service. Both the Mechanical Seal and Bearing Frame kits include all O-rings needed for service.



372000109 - Mechanical Seal Kit		
Qty.	Kit No.	Description
1	A	O-RING, DRAIN BACK
1	B	CASSETTE SEAL
1	C	MECHANICAL SEAL
1	D	SHIM, .005 THICK
1	E	IMPELLER KEY
1	F	IMPELLER LOCK WASHER*

### ORDERING INFORMATION

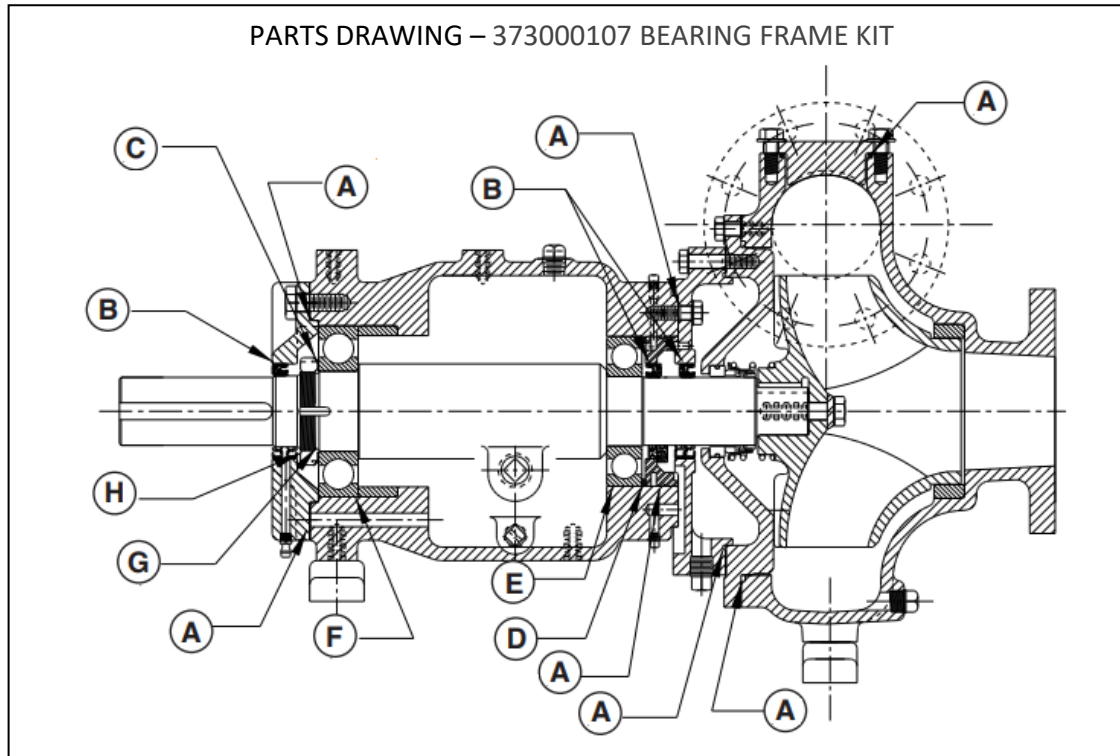
Most parts kits are in stock and available for shipment within 2 business days. You must have an active Franklin Electric account for order processing. Email orders to [PartsSales@pioneerpump.com](mailto:PartsSales@pioneerpump.com). For questions, please call Pioneer Pump at (503) 266-4115 or email us at the above email.

*NOTE: Part numbers listed reflect updated part numbers as of July 2022. Older documentation may have different part numbers. Please consult factory if differences appear. All parts included in kits are standard material. Please contact Pioneer Pump for any special requests regarding the material of component.*

# SERVICE PARTS KITS

## PUMP MODEL: 44S10

The mechanical seal kit and bearing frame kits are offered separately. We recommend ordering both kits for a major service. Both the Mechanical Seal and Bearing Frame kits include all O-rings needed for service.



373000107 - BEARING FRAME KIT		
Qty.	Kit No.	Description
1	A	O-RING KIT, COMPLETE
1	B	CASSETTE SEAL KIT, COMPLETE
1	C	SHIM KIT, COMPLETE
1	D	WAVE SPRING
1	E	PUMP END BEARING
2	F	DRIVE END BEARING
1	G	WASHER, BEARING
1	H	NUT, BEARING
3	N/A	TAPERED RUBBER PLUG

### ORDERING INFORMATION

Most parts kits are in stock and available for shipment within 2 business days. You must have an active Franklin Electric account for order processing. Email orders to [PartsSales@pioneerpump.com](mailto:PartsSales@pioneerpump.com). For questions, please call Pioneer Pump at (503) 266-4115 or email us at the above email.

*NOTE: Part numbers listed reflect updated part numbers as of July 2022. Older documentation may have different part numbers. Please consult factory if differences appear. All parts included in kits are standard material. Please contact Pioneer Pump for any special requests regarding the material of component.*