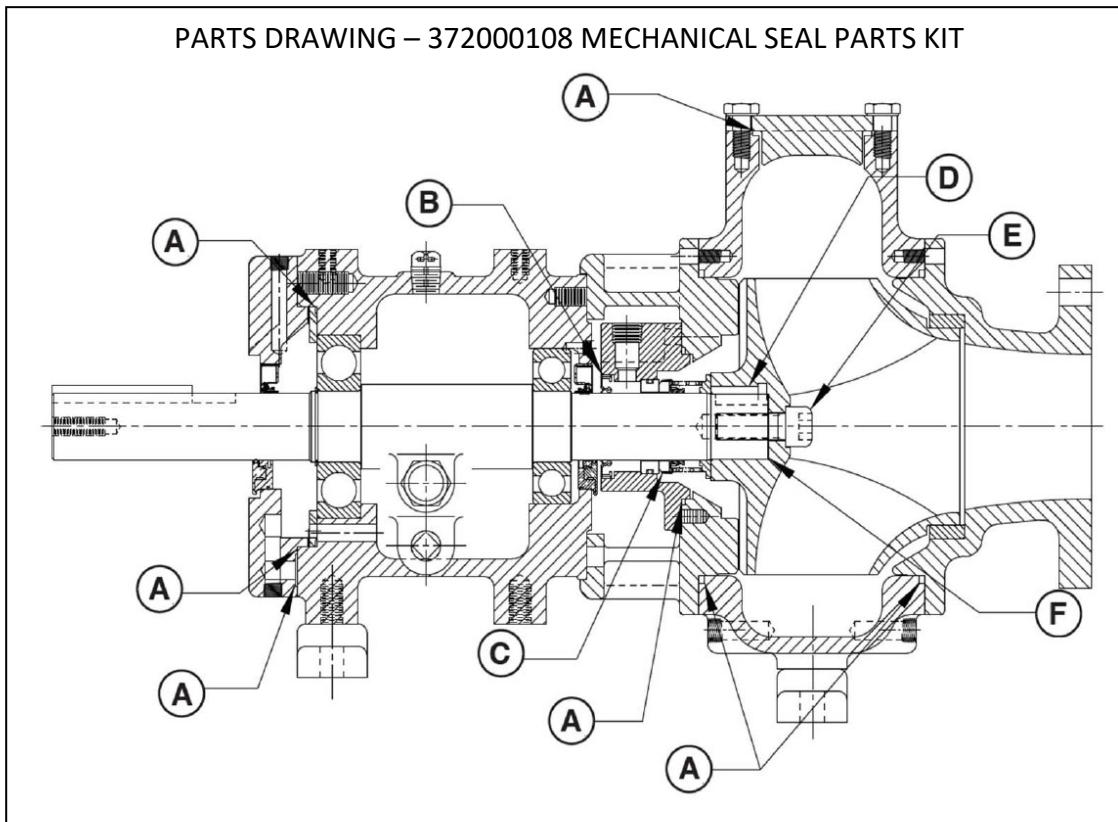


# SEAL PARTS KIT

**PUMP MODELS: 44S8, 44S8B**

The mechanical seal kit and bearing frame kits are offered separately. We recommend ordering both kits for a major service. Both the Mechanical Seal and Bearing Frame kits include all O-rings needed for service.



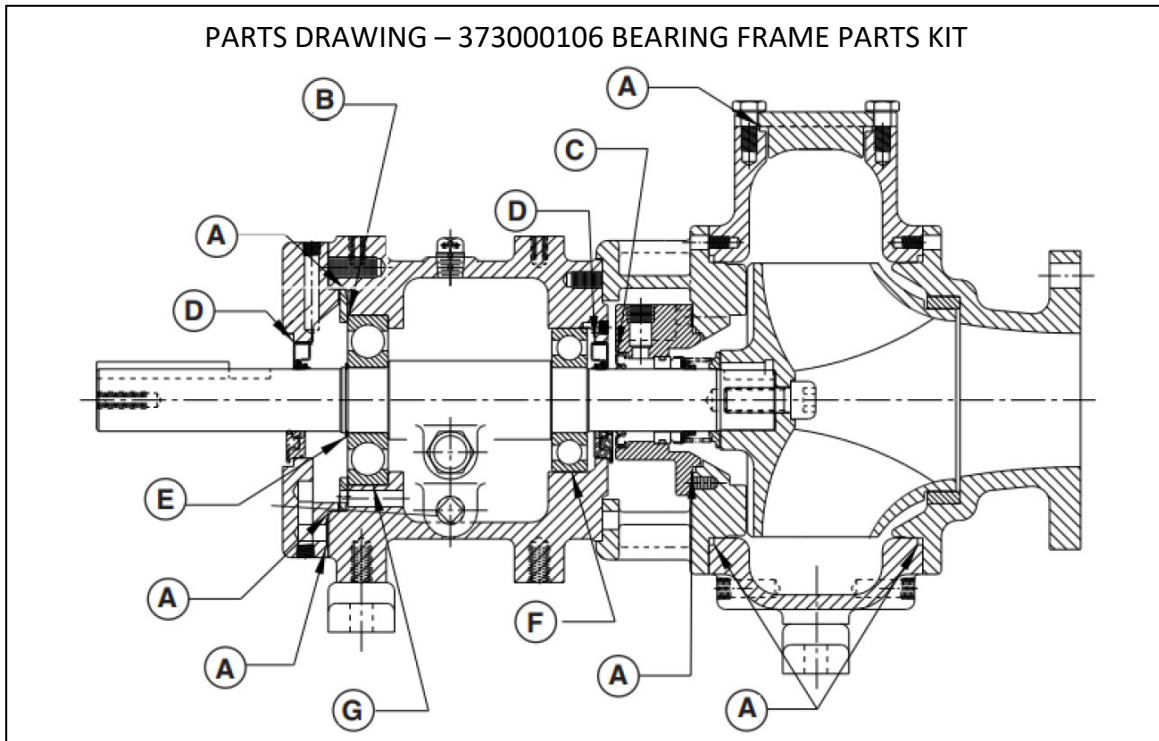
372000108 - Mechanical Seal Kit		
Qty.	Id	Description
1	A	O-RINGS
1	B	CASSETTE SEAL, RUN DRY
1	C	MECHANICAL SEAL
1	D	KEY, IMPELLER
1	E	LOCKWASHER KIT
1	F	IMPELLER SHIM SET
1	-	P-80 LUBRICANT, 10ML TUBE



# BEARING PARTS KIT

## PUMP MODELS: 44S8, 44S8B

The mechanical seal kit and bearing frame kits are offered separately. We recommend ordering both kits for a major service. Both the Mechanical Seal and Bearing Frame kits include all O-rings needed for service.



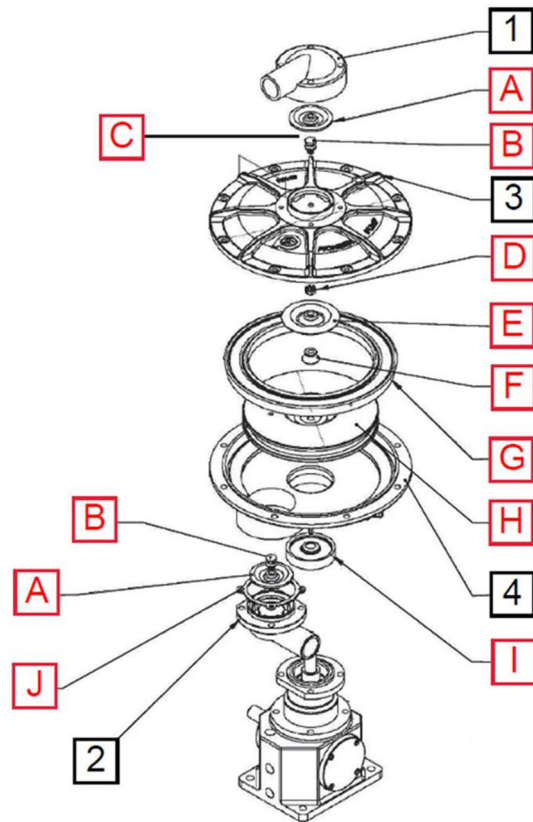
373000106 – Bearing Frame Kit		
Qty.	Id	Description
1	A	O-RINGS
1	B	BEARING SHIM SET
1	C	CASSETTE SEAL, RUN DRY
2	D	CASSETTE SEALS
1	E	SNAP RING
1	F	BEARING, IMPELLER END
1	G	BEARING, DRIVE END
3	-	TAPERED PLUG, SIZE 000



# VACUUM PUMP REBUILD

## UPPER CHAMBER KIT

PARTS DRAWING – 374000102 UPPER VACUUM PUMP KIT



374000102 – UPPER VACUUM PUMP KIT

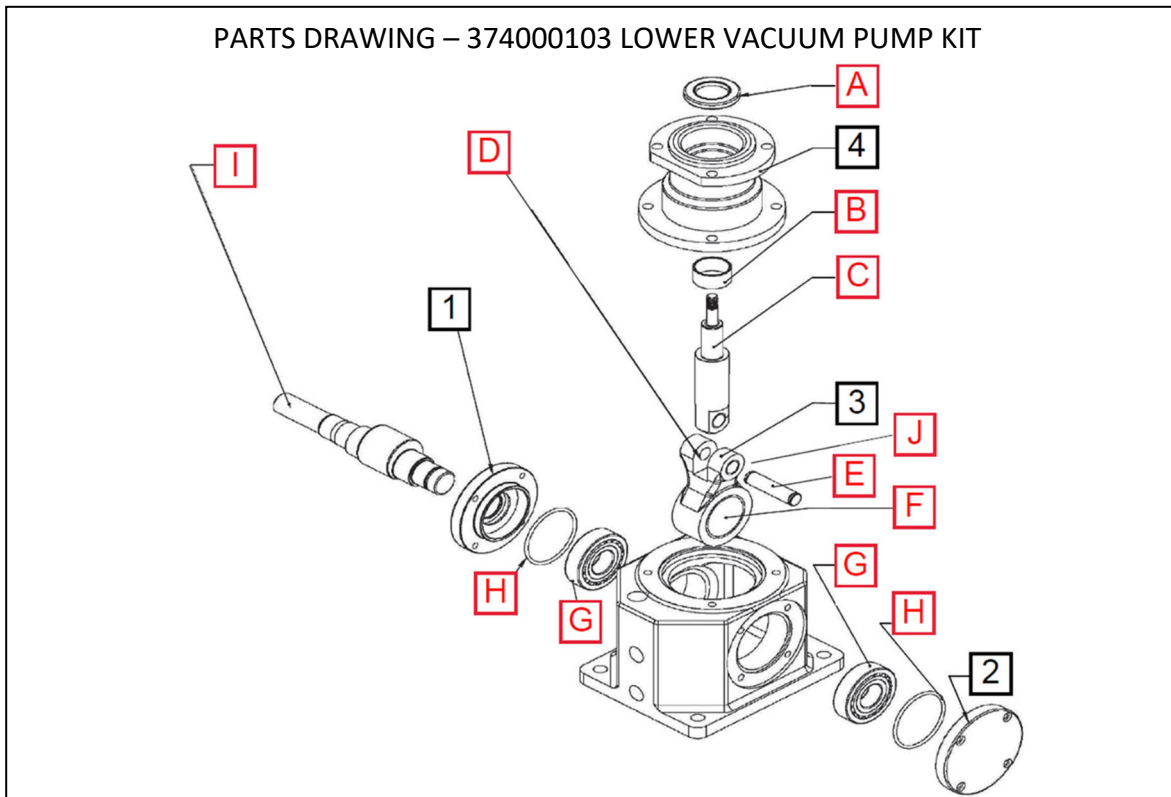
Qty.	Id	Description
2	A	INLET/EXHAUST VALVE
2	B	INLET/EXHAUST VALVE STUD
1	C	COTTER PIN
1	D	CASTLE NUT
1	E	ACTUATOR VALVE
1	F	ACTUATOR WASHER
1	G	ACTUATOR SEAL
1	H	ACTUATOR
1	I	NECK SEAL
1	J	INLET NOZZLE GASKET
8	-	HOUSING FASTENER
1	-	FLAT WASHER

NOT INCLUDED IN KIT

Id	Description	Part No.
1	EXHAUST NOZZLE	33617320
2	INLET NOZZLE	33617318
3	UPPER HOUSING	33617310
4	LOWER HOUSING	33617309

# VACUUM PUMP REBUILD

## LOWER CHAMBER KIT

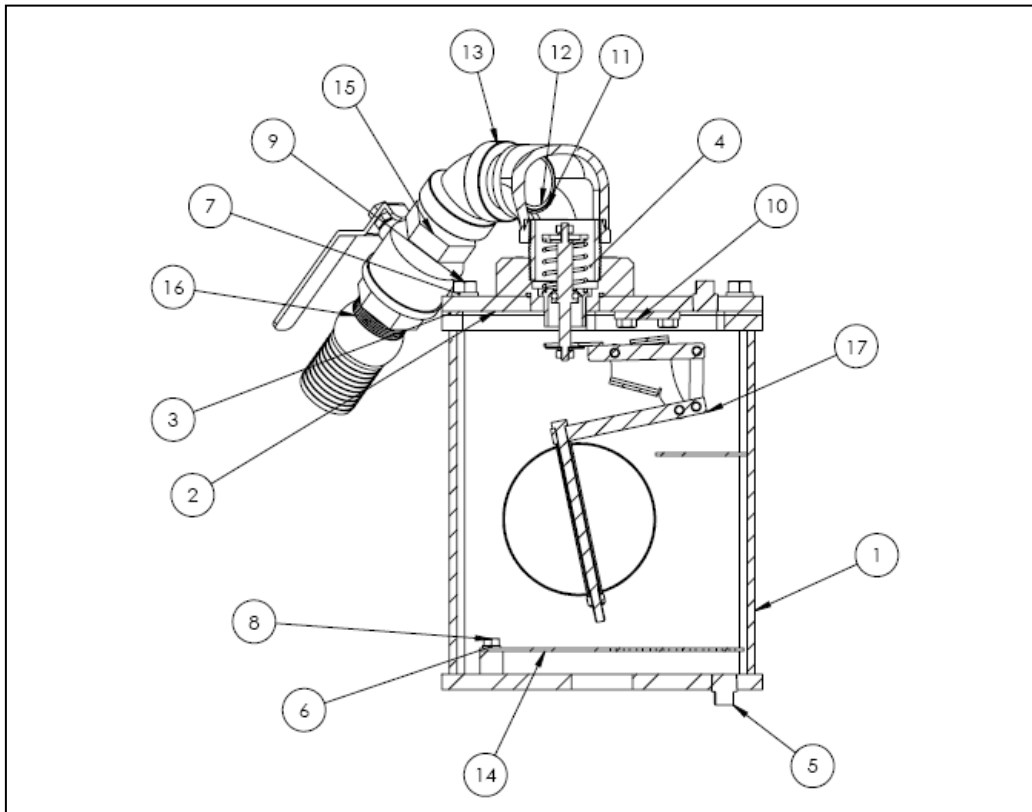


374000103 – LOWER VACUUM PUMP KIT		
Qty.	Id	Description
1	A	ACTUATOR SHAFT LIP SEAL
1	B	ACTUATOR SHAFT GUIDE BUSHING
1	C	ACTUATOR SHAFT WITH BUSHING
2	D	CONNECTING ROD BUSHING, SMALL
1	E	FULCRUM PIN
1	F	CONNECTING ROD BEARING, LARGE
2	G	SHAFT END BEARING
2	H	BEARING CAP O-RING
1	I	CRANK SHAFT
1	J	FULCRUM PIN RETAINING RING
1	-	BEARING LOCKNUT
1	-	BEARING LOCKWASHER
1	-	BEARING CAP LIP SEAL
1	-	PEDESTAL O-RING
1	-	THUMBSCREW
4	-	STUD ASSEMBLY

NOT INCLUDED IN KIT		
Id	Description	Part No.
1	BEARING CAP, SHAFT END	33602316
2	CONNECTING ROD	33603314
3	PEDESTAL	33601312
4	BEARING CAP, REAR	33602317

# PRIMING CHAMBER

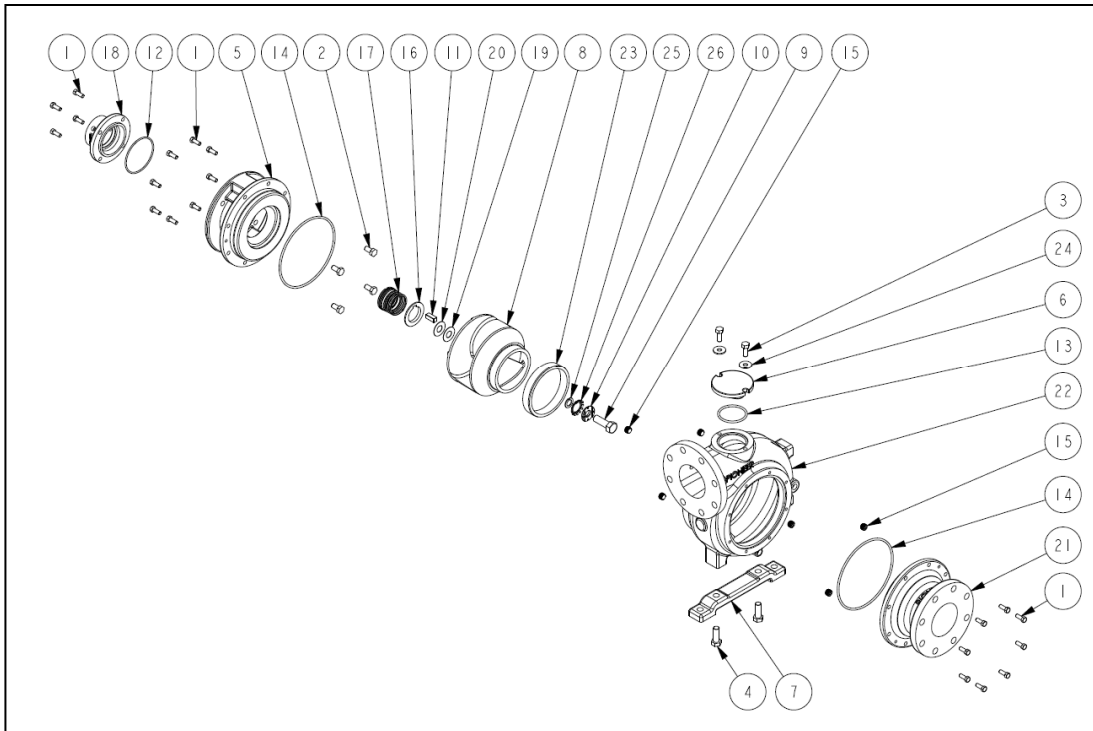
## SUBASSEMBLIES (STANDARD BUILD)



Item #	Id	Description
13156969	1	PRIMING CHAMBER
104157207	2	PRIMING CHAMBER LID
318486974	3	LID GASKET
106003704C	4	PRIMING VALVE SUB-ASSY
31138103	5	PIPE PLUG, ½ NPT SQUARE HEAD
37821213	6	.31 SPLIT LOCK WASHER
32839401	7	.50 SPLIT LOCK WASHER
37621031C075	8	BOLT, .31-18UNC x .75
32632050C125	9	BOLT, .50-13UNC x 1.25
37621038C062	10	BOLT, .38-16UNC x .63
30838110	11	ELBOW, 2" x 1-1/2" NPT, 90°
30638311	12	NIPPLE, 1-1/2", CLOSE
30838133	13	ELBOW, 1-1/2" NPT, 45°
102216896	14	STRAINER PLATE
32200102	15	BALL VALVE, 1-1/2"
31638104	16	KING NIPPLE, 1-1/2" MPT x 2" HO
1060016945	17	LINKAGE ASSY, GEN3 FIXED BALL

# WET END PARTS

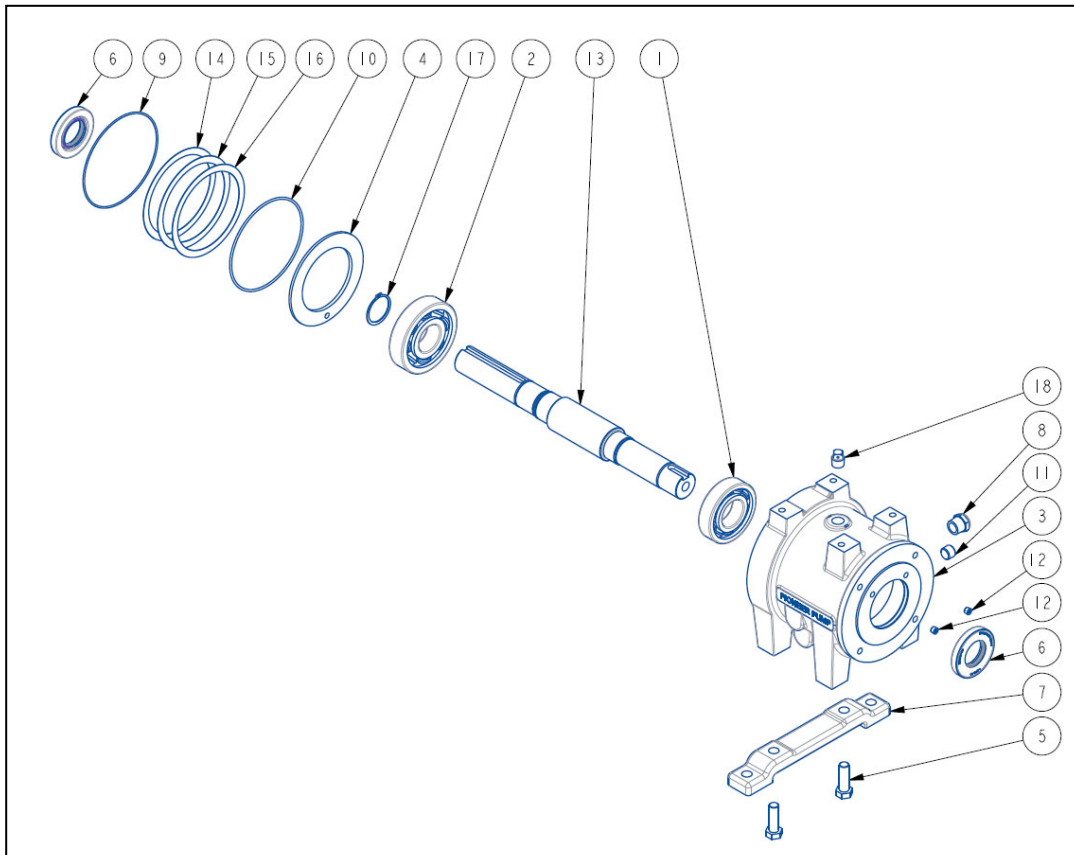
PUMP MODEL: 44S8 (STD. MATERIALS)



Qty	Id	Item #	Description
20	1	32632038C100	BOLT .38-16UNC x 1.00 G5 PL
4	2	32632050C100	BOLT .50-13UNC x 1.00 G5 PL
2	3	32632050C125	BOLT .50-13UNC x 1.25 G5 PL
2	4	32632062C175	BOLT .62-11UNC x 1.75 G5 PL
1	5	116045799	BRACPLATE, DI
1	6	111045361	CLEANOUT COVER, DI
1	7	11904141	FOOT, MOUNTING
1	8	1123008822R	IMPELLER, FULL TRIM, CA6
1	9	37500133	LOCKWASHER KIT
1	10	SEE ID 9	LOCKWASHER KIT
1	11	12227121	KEY 1/2 x 1/2 x 1.25 LONG
1	12-14	KIT00196	O-RING KIT B
6	15	31138110	PLUG, FLUSH 3/8" NPT
1	16	1352207611	SPRING RETAINER
1	17	30400171	MECHANICAL SEAL
1	18	1290407613	SEAL GLAND
1	19, 20	SHIM-IMP5	IMPELLER SHIM SET
1	21	108045649	SUCTION COVER, DI
1	22	110044160	VOLUTE, DI
1	23	109026037	WEAR RING, CI
2	24	32839402	WASHER FLAT .50 STL PL
1	25	SEE ID 9	LOCKWASHER KIT
1	26	SEE ID 9	LOCKWASHER KIT

# BEARING FRAME PARTS

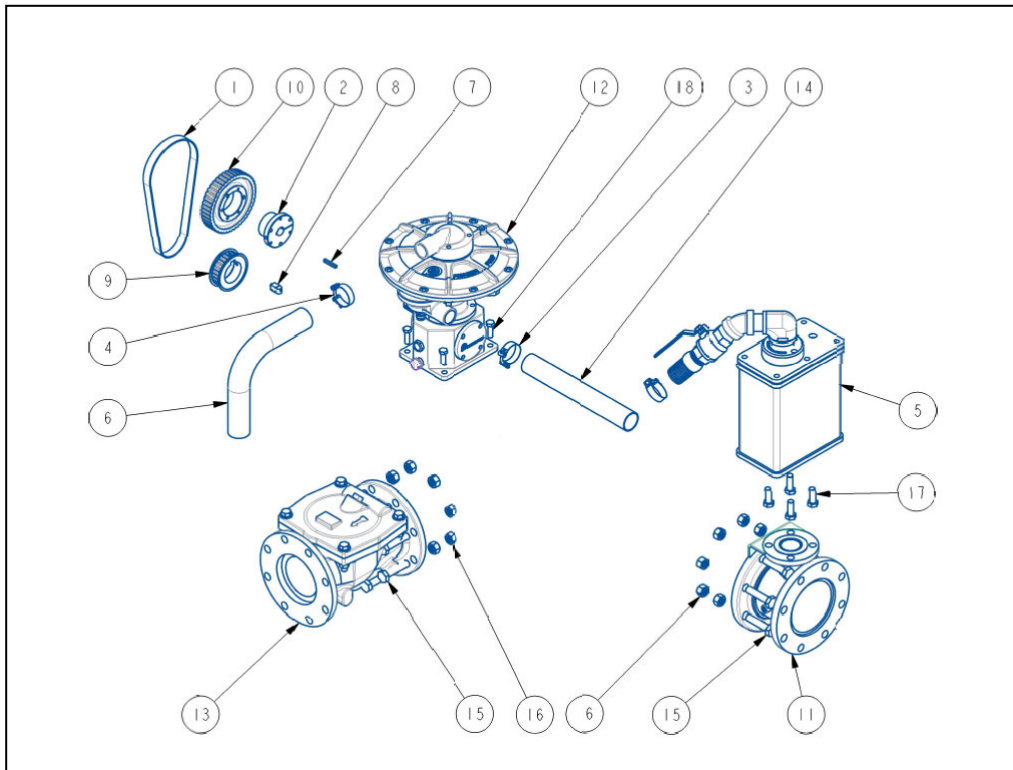
PUMP MODEL: 44S8



Qty	Id	Item #	Description
1	1	31900121	BEARING, IMPELLER END
1	2	31900122	BEARING, DRIVE END
1	3	1170107638	BEARING HOUSING
1	4	118026053	BEARING PLATE BH8.5D
2	5	32632062C175	BOLT .62-11UNC x 1.75 G5 PL
2	6	30500188	CASSETTE SEAL, 1.875" ID
1	7	11904141	FOOT, MOUNTING
1	8	31339103	LEVEL PLUG 3/4" NPT
1	9, 10	KIT00196	O-RING KIT B
1	11	31138107	PLUG, FLUSH 1/2" NPT
4	12	31138116	PLUG FLUSH 1/4" NPT
1	13	1202718097	SHAFT, 17-4 SS
1	14-16	SHIM-BF2	SHIM SET, 6.68 x 5.69
1	17	3.53005E+11	SNAP RING
1	18	31138922	VENT PLUG 1/2" NPT

# PRIMING SYSTEM

## TOP MOUNT, COMPACT, 4" COPILOT



Qty	Id	Item #	Description
1	1	323360H100	BELT TIMING 360H100 (TOP MNT)
1	2	32500101	BUSHING, 1.0 BORE
1	3	31621103	CLAMP 2.5IN HOSE T-BOLT SS304
1	4	31621103	CLAMP 2.5IN HOSE T-BOLT SS304
1	5	1060015894	PRIMING CHAMBER ASSY
1	6	31700103	HOSE 2IN X 90 DEG X 6IN LEG
1	7	12222103	KEY 1/4 x 1/4 x 1.75 LONG
1	8	12211989	KEY 5/8 SQ WEDGE KEY
1	9	32400129	PULLEY 26H100
1	9A	32500211	BUSHING, 1.88 BORE
1	10	32400102	PULLEY 44H100
1	11	150156949	SPOOL, PRIMING
1	12	33600101	VACUUM PUMP
1	13	32200104-COPILOT	VALVE 4" CHECK COPILOT READY
1	14	31700130	HOSE 2" ID SUCTION x 48"
16	15	32632062C300	BOLT .63-11UNC x 3.00 G5 PL
16	16	32739601	NUT HVY HEX .62-11UNC STLPL
4	17	32632062C175	BOLT .62-11UNC x 1.75 G5 PL
4	18	32632050C150	BOLT .50-13UNC x 1.50 G5 PL





---

*Franklin Electric is a global leader in the manufacturing and distribution of products and systems focused on the movement and management of water. We offer pumps, motors, drives, and controls for use in a wide variety of agricultural, commercial, industrial, municipal, and residential applications.*

---