

## Pioneer Prime Sound Attenuated Diesel-Driven Centrifugal Pump Trailer Package

# SAPP66S12L71-404J-E22TA

66S12-PPI-02-P



### PUMP SPECIFICATIONS

Size	6" x 6" (150 x 150 mm)
Impeller Diameter	11" (279 mm)
Max Flow	2,840 gpm (645 m <sup>3</sup> /h)
Max Head	182 feet (55 meters)
Solids Size	3" (76 mm)
Max. Operating Temp.	200 °F (93 °C)
Max. Operating Press.	260 psi (1,800 kPa)

### ENGINE SPECIFICATIONS

FT4 Engine Type	Perkins 404J, 4-Cylinder Diesel
Displacement	135 cu. in. (2.2 l)
Fuel Consumption	4.17 gph (15.8 l/h) @ 1,800 rpm
Continuous HP	54 HP (40 kW) @ 1,800 rpm
Peak Intermittent HP Rating	74 HP (55 kW)
FT4 Specifics (Def or No Def, DOC, SCR, etc.)	DOC
Instrument Panel	Oil pressure gauge, voltmeter, hourmeter, tachometer

### PIONEER PRIME PRIMING SYSTEM

Priming System	Mechanically driven diaphragm-style vacuum pump
Air Removal Cap.	50 cfm (.02 cms)
Priming Chamber	Positive sealing air separation w/stainless steel components
Discharge Check Valve	Swing style; ductile iron w/nitrile disc
Run Dry System	Oil-lubricated mech. seal allows pump to run completely dry without damage

### FEATURES AND BENEFITS

- Indefinite run-dry capability
- Extreme flow technology
- Environmentally safe priming system: Pioneer Prime
- Auto-start controls

### PARTS KITS

Mechanical Seal Kit: 372000101	Upper Vacuum Kit: 374000102
Bearing Frame Kit: 37300100	Lower Vacuum Kit: 374000103
Priming Chamber Assembly: 1060015894	

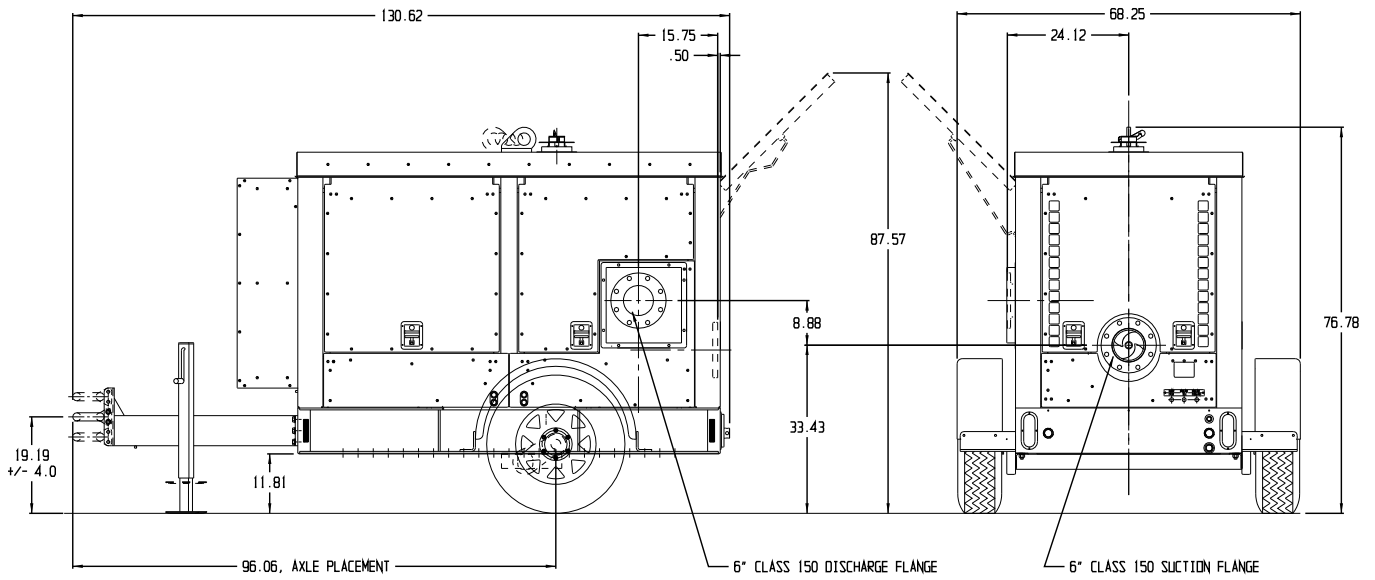
### PACKAGE SPECIFICATIONS

Fuel Capacity	75 gal (284 L)
Control Panel	LOFA CP900
Operating Speed (Min. / Max.)	1,000 / 2,200 rpm
Weight (Dry / Wet)	3,800 lbs (1,725 kg) / 4,430 lbs (2,010 kg)
Instrument Compatibility	High/low level floats
Trailer Brakes	Electric
Enclosure dB(A) Rating	68 dB(A) @ 23 feet (7 meters)
Optional Adders	3-watt solar charger, 10-watt solar charger, corner jacks, float switch, hose racks, pressure gauges
Telemetry Ready	Options available

### MATERIALS OF CONSTRUCTION

Impeller	CA6NM Stainless Steel
Shaft	17-4 PH Stainless Steel
Wear Ring	ASTM A48 Class 40 Gray Iron
Suction Cover	Ductile Iron ASTM A536 65-45-12
Volute	Ductile Iron ASTM A536 65-45-12
Brac-Plate/Bracket	Ductile Iron ASTM A536 65-45-12
Mechanical Seal	Silicon Carbide rotating and Tungsten Carbide stationary

## MECHANICAL DIMENSIONS



## PERFORMANCE CURVE

