

## Pioneer Prime Sound Attenuated Diesel-Driven Trailer Package

# SAPP88S12L71-TCD3.6

88S12-PPI-02-D



### PUMP SPECIFICATIONS

Size	8" x 8" (200 x 200 mm)
Impeller Diameter	12.25" (311 mm)
Max Flow	5,040 gpm (1,150 m <sup>3</sup> /h)
Max Head	180 feet (55 meters)
Solids Size	3" (76 mm)
Max. Operating Temp.	200 °F (93 °C)
Max. Operating Press.	260 psi (1,800 kPa)

### ENGINE SPECIFICATIONS

FT4 Engine Type	Deutz TCD3.6L4
Displacement	220 cu. in. (3.6 l)
Fuel Consumption	5.5 gph (21 l/h) @ 1,800 rpm
Continuous HP	111 HP (83 kW) @ 1,800 rpm
Peak Intermittent HP Rating	134 HP (100 kW)
FT4 Specifics (Def or No Def, DOC, SCR, etc.)	DOC
Instrument Panel	Oil pressure gauge, voltmeter, hourmeter, tachometer

### PIONEER PRIME PRIMING SYSTEM

Priming System	Mechanically driven diaphragm-style vacuum pump
Air Removal Cap.	50 cfm (.02 cms)
Priming Chamber	Positive sealing air separation w/stainless steel components
Discharge Check Valve	Swing style; ductile iron w/nitrile disc
Run Dry System	Oil-lubricated mech. seal allows pump to run completely dry without damage

### FEATURES AND BENEFITS

- Indefinite run-dry capability
- Extreme flow technology
- Environmentally safe priming system: Pioneer Prime
- Auto-start controls

### PARTS KITS

Mechanical Seal Kit: 372000101	Upper Vacuum Kit: 374000102
Bearing Frame Kit: 373000100	Lower Vacuum Kit: 374000103
Priming Chamber Assembly: 1060015894	

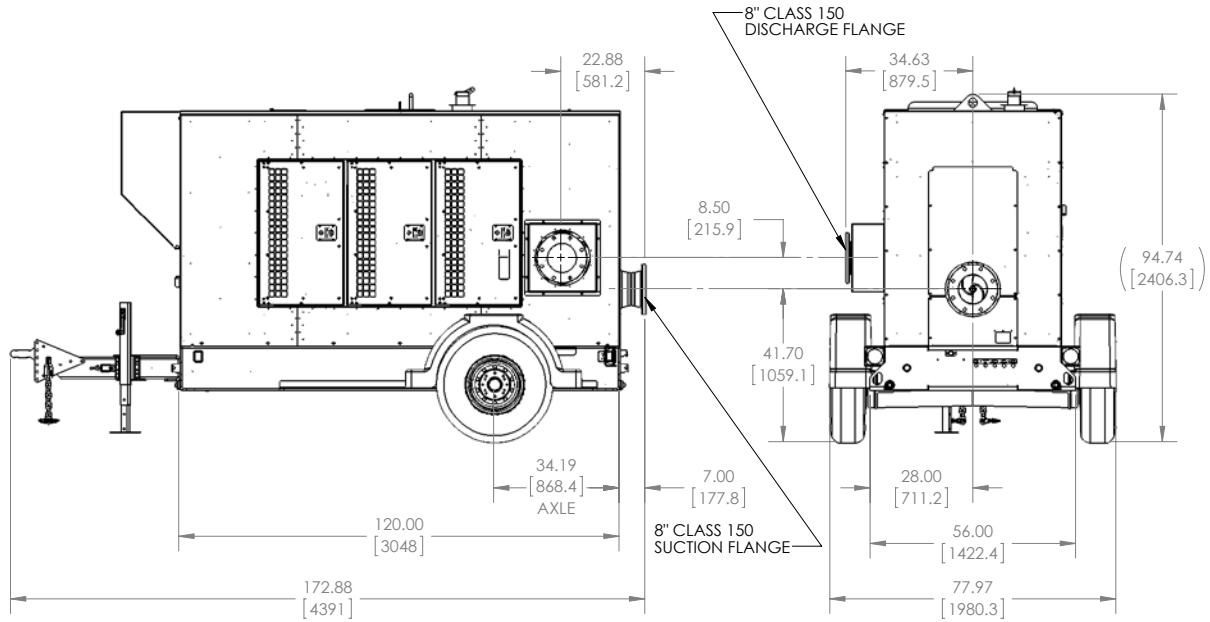
### PACKAGE SPECIFICATIONS

Fuel Capacity	135 gal (511 L)
Control Panel	LOFA CP900
Operating Speed (Min. / Max.)	1,000 / 2,000 rpm
Weight (Dry / Wet)	5,970 lbs / 6,930 lbs
Instrument Compatibility	High/low level floats
Trailer Brakes	Electric
Enclosure dB(A) Rating	69 dB(A) @ 23 feet (7 meters)
Optional Adders	3-watt solar charger, 10-watt solar charger, corner jacks, float switch, hose racks, pressure gauges
Telemetry Ready	Options available

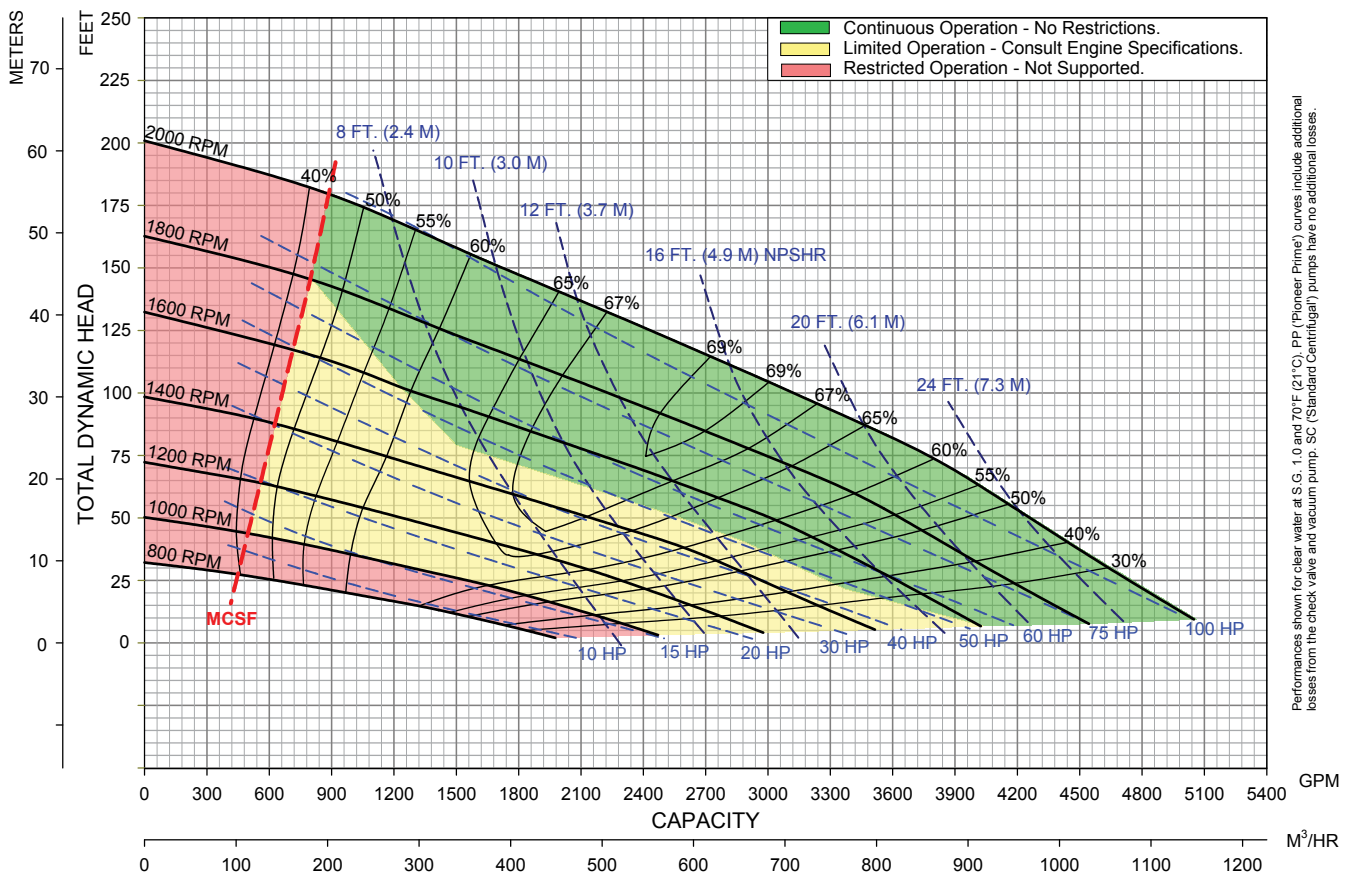
### MATERIALS OF CONSTRUCTION

Impeller	CA6NM Stainless Steel
Shaft	17-4 PH Stainless Steel
Wear Ring	ASTM A48 Class 40 Gray Iron
Suction Cover	Ductile Iron ASTM A536 65-45-12
Volute	Ductile Iron ASTM A536 65-45-12
Brac-Plate/Bracket	Ductile Iron ASTM A536 65-45-12
Mechanical Seal	Silicon Carbide rotating and Tungsten Carbide stationary

## MECHANICAL DIMENSIONS



## PERFORMANCE CURVE



Performances shown for clear water at S.G. 1.0 and 70°F (21°C). P.P. (Pioneer Prime) curves include additional losses from the check valve and vacuum pump. SC (Standard Centrifugal) pumps have no additional losses.