

## Pioneer Prime Sound Attenuated Diesel-Driven Centrifugal Pump Trailer Package

# SAPP64S12L71-TD2.9L4



### PUMP SPECIFICATIONS

Size	6" x 4" (150 x 100 mm)
Impeller Diameter	12" (305 mm)
Max Flow	1,830 gpm (499 m <sup>3</sup> /h)
Max Head	265 feet (80 meters)
Solids Size	3" (76 mm)
Max. Operating Temp.	200 °F (93 °C)
Max. Operating Press.	260 psi (1800 kPa)

### ENGINE SPECIFICATIONS

FT4 Engine Type	Deutz TD2.9L, 4-Cylinder Diesel
Displacement	177 cu. in. (2.9 l)
Fuel Consumption	3.07 gph (11.62l/h) @ 1800 rpm
Continuous HP	58 HP (43 kW) @ 1800 rpm
Peak HP Rating	75 HP (55 kW)
FT4 Specifics (Def or No Def, DOC, SCR, etc.)	DOC
Safety Shut-Down Switches	Low oil press., high temp., v-belt failure
Instrument Panel	Oil pressure gauge, ampmeter, hourmeter, tachometer

### PIONEER PRIME PRIMING SYSTEM

Priming System	Mechanically driven diaphragm-style vacuum pump
Air Removal Cap.	50 cfm (.02 cms)
Priming Chamber	Positive sealing air separation w/stainless steel components
Discharge Check Valve	Swing style; ductile iron w/nitrile disc
Run Dry System	Oil-lubricated mech. seal allows pump to run completely dry without damage

### FEATURES AND BENEFITS

- Indefinite run-dry capability
- Extreme flow technology
- Environmentally safe priming system: Pioneer Prime
- Auto-start controls
- Skid options available

### OPTIONS AND ACCESSORIES

Parts Kits No.	Mechanical Seal Kit: 372000154   Bearing Frame Kit: 373000146
Instrument Compatibility	Transducer
Telemetry Ready	Options Available

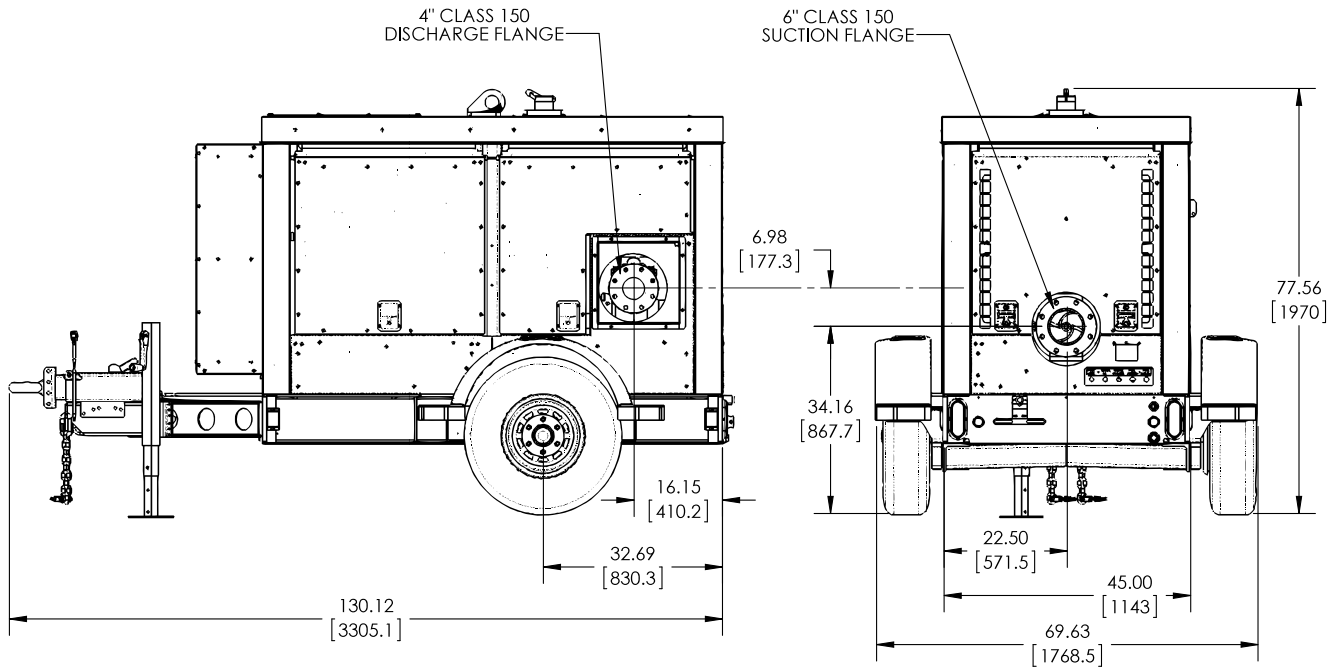
### PACKAGE SPECIFICATIONS

Fuel Capacity	75 gal (284 L)
Control Panel	LOFA CP750
Operating Speed (Min. / Max.)	1,000 / 2,200 rpm
Weight (Dry / Wet)	4,125 lbs / 4,645 lbs
Instrument Compatibility	High/low level floats
Trailer Brakes	Electric
Enclosure dB(A) Rating	68 dB(A) @ 23 feet (7 meters)
Optional Adders	Surge breaks, corner jacks, tongue-mounted tool box, wheel chocks, interior/exterior lighting, solar or 120VAC trickle charger, 120VAC inverter

### MATERIALS OF CONSTRUCTION

Material	Standard Construction
Impeller	CA6NM Stainless Steel
Shaft	17-4 PH Stainless Steel
Wear Ring	ASTM A48 Class 40 Gray Iron
Suction Cover	Ductile Iron ASTM A536 65-45-12
Volute	Ductile Iron ASTM A536 65-45-12
Brac-Plate/Bracket	Ductile Iron ASTM A536 65-45-12
Mechanical Seal	Silicon Carbide rotating and Tungsten Carbide stationary

## MECHANICAL DIMENSIONS



## PERFORMANCE CURVE

