

Standard Centrifugal

SC66S14L71

PERFORMANCE

End Suction Standard Centrifugal Pump

Bare shaft, frame mounted, heavy duty pump

Size	6" x 6" 150 x 150 mm
Flow, Max	3300 USgpm 760 m ³ /hr 210 l/s
Head, Max	275 feet 80 meters
Flow at BEP	2700 USgpm 620 m ³ /hr 170 l/s
Efficiency at BEP	75%
Solids Handling, Max	3" 76 mm
Operating Speed, Max	2000 rpm
Suction Connection	6" (150 mm) 150 ANSI Flanges
Delivery Connection	6" (150 mm) 150 ANSI Flanges
Bearing Lubrication	Oil STD Grease optional
Fasteners	Imperial

APPLICATIONS

Construction	Wastewater
Industrial	Power Generation
Mining	Environmental
PosiValve™ Patent #6,783,730	



High Flow, Solids Handling Heavy Duty Pump

The SC66S14 is a high flow, ruggedized pump designed to operate over a broad range of performance while delivering outstanding suction lift. The rugged construction and modular design provide proven reliability and flexibility in the most demanding applications.

OPTIONAL PRIMING SYSTEM

Priming System	Mechanically driven diaphragm-style vacuum pump
Air Removal Capability	50 CFM
Priming Chamber	Single chamber with positive sealing air separation PosiValve™ with stainless steel float ball & linkage
Discharge Check Valve	Swing style; ductile iron with Buna-n disc

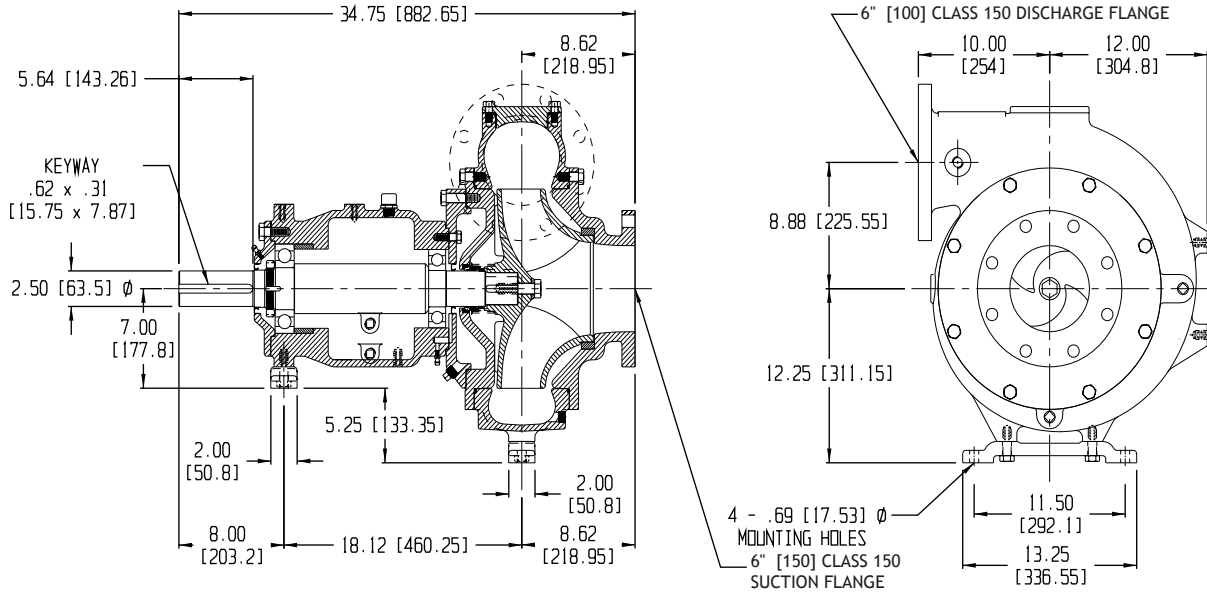
SPECIFICATIONS

Mechanical Seal	Single seal w/ tungsten carbide vs. silicon carbide seal faces, Viton® elastomers, 300 series stainless steel hardware and spring (run dry option available)
Pump End Bearing	Single Row Ball
Drive End Bearing	Double Row Angular Contact
Shaft	17-4 PH Stainless Steel

MATERIALS OF CONSTRUCTION

Material	Standard Construction	CD4MCu Duplex Stainless
Impeller	Stainless Steel ASTM A744 CA6NM	ASTM A744 CD4MCu
Volute	Ductile Iron ASTM A536 65-45-12	ASTM A744 CD4MCu
Wear Ring	ASTM A48 Class 40 Gray Iron	ASTM A743 316 Stainless
Suction Cover	Ductile Iron ASTM A536 65-45-12	ASTM A744 CD4MCu
Bracket	Ductile Iron ASTM A536 65-45-12	ASTM A744 CD4MCu
Backplate	Ductile Iron ASTM A536 65-45-12	ASTM A744 CD4MCu

MECHANICAL DIMENSIONS



PERFORMANCE CURVE

Model: SC66S14

Impeller Dia: 14"

Speed: Variable

Solids Size: 3"

Curve #A07976HQ

