

Vortex Series

PP66V10

PERFORMANCE

Bare shaft, frame-mounted vortex pump end with Pioneer Prime vac-assist dry priming system

| | |
|----------------------|---|
| Size | 6" x 6" (150 x 150 mm) |
| Flow, Max | 1600 gpm 363 m ³ /hr 100 l/s |
| Head, Max | 94 feet (29 meters) |
| Flow at BEP | 850 gpm 193 m ³ /hr 54 l/s |
| Efficiency at BEP | 45% |
| Solids Handling, Max | 5.12" (130 mm) |
| Operating Speed, Max | 2000 rpm |
| Suction Connection | 6" (150 mm) 150 ANSI Flanges |
| Delivery Connection | 6" (150 mm) 150 ANSI Flanges |
| Bearing Lubrication | Oil STD Grease optional |
| Fasteners | Imperial |

APPLICATIONS

| | |
|----------------|---------------------|
| Waste Handling | Industrial Effluent |
| Sludges | Chemical Processing |

PosiValve™ Patent #6,783,730



Vortex Series

Pioneer Pump® Vortex Series™ Pumps eliminate costly and disruptive downtime by passing through the most challenging solids using a recessed impeller, making them ideal for applications where fluid conditioning, macerating, or mix-prevention are unnecessary. Vortex technology saves time and money by eliminating internal wetted parts, like wear plates and chopper blades, that would otherwise have to be monitored, adjusted, and replaced.

FEATURES AND BENEFITS

| | |
|----------------------|---|
| Vortex Impeller | Recessed impeller passes challenging solids by avoiding direct contact |
| Discharge | Elbow ball valve style with cast iron body avoids clogs from passed-through solids |
| Check Valve | |
| Heavy Duty | Impeller and casing are cast in ductile iron and shaft is corrosion-resistant 17-4 for maximum reliability |
| Pioneer Prime System | Heavy-duty vacuum pump and priming chamber with PosiValve™ can start-up dry, re-prime faster, and will not leak pumpage onto the ground |

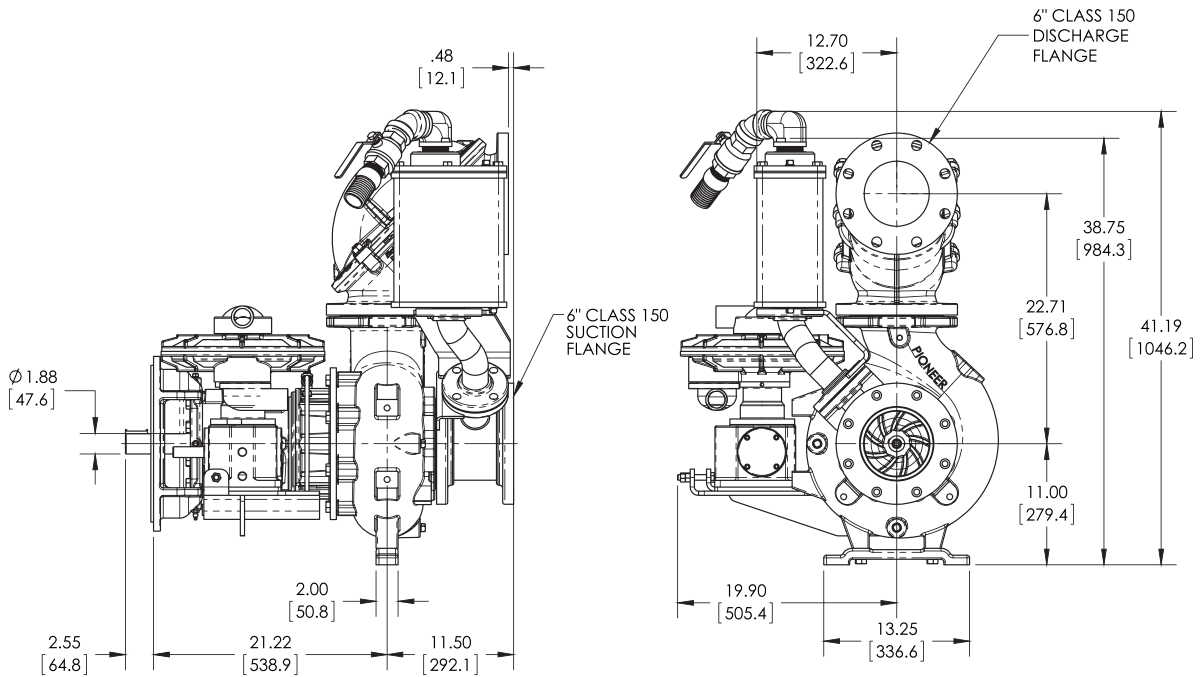
SPECIFICATIONS

| | |
|-------------------|--|
| Mechanical Seal | Single type seal w/ tungsten carbide vs. silicon carbide seal faces, FKM elastomers, 300 series stainless steel hardware and spring (run dry option available) |
| Pump End Bearing | Single Row Ball |
| Drive End Bearing | Single Row Ball |
| O-rings | FKM |
| Shaft | 17-4 PH Stainless Steel |
| SAE | SAE engine-mount bracket options available |

MATERIALS OF CONSTRUCTION

| Material | Standard Construction |
|-----------|-------------------------|
| Impeller | Ductile Iron 65-45-12 |
| Shaft | 17-4 PH Stainless Steel |
| Volute | Ductile Iron 65-45-12 |
| Backplate | Ductile Iron 65-45-12 |

MECHANICAL DIMENSIONS



PERFORMANCE CURVE

Model: PP66V10

Impeller Dia: 9.65"

Speed: Variable

Curve #16277HQ

