

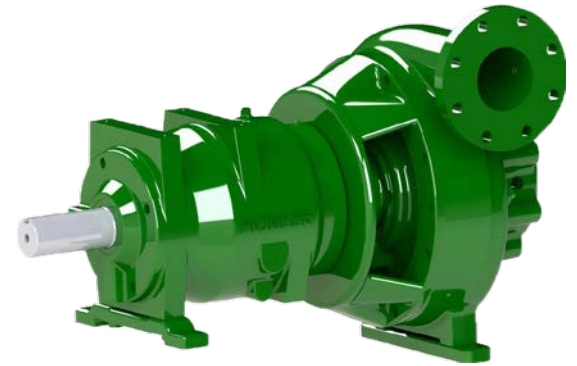
Standard Centrifugal SC64C14

PERFORMANCE

End Suction Standard Centrifugal Pump

Bare shaft, frame mounted, heavy duty pump

Size	6" x 4" 150 x 100 mm
Flow, Max	1875 USgpm 425 m ³ /hr 118 l/s
Head, Max	350 feet 107 meters
Flow at BEP	1400 USgpm 320 m ³ /hr 90 l/s
Efficiency at BEP	77%
PEI _{CL} Number	Close Coupled, 0.95 Frame Mounted, 0.96
Solids Handling, Max	1" 25 mm
Operating Speed, Max	2200 rpm
Suction Connection	6" (150 mm) 150 ANSI Flanges
Delivery Connection	4" (100 mm) 150 ANSI Flanges
Bearing Lubrication	Oil STD Grease optional
Fasteners	Imperial



High Flow, Heavy Duty Pump

The SC64C14 is a high flow, ruggedized pump designed to run over a broad range of performance and deliver outstanding suction lift. The rugged construction and modular design provide proven reliability and flexibility in the most demanding applications.

SPECIFICATIONS

Mechanical Seal	Single seal w/ tungsten carbide vs. silicon carbide seal faces, Viton® elastomers, 300 series stainless steel hardware and spring (run dry option available)
Pump End Bearing	Single Row Ball
Drive End Bearing	Single Row Ball
Shaft	17-4 PH Stainless Steel
SAE	SAE engine-mount bracket options available

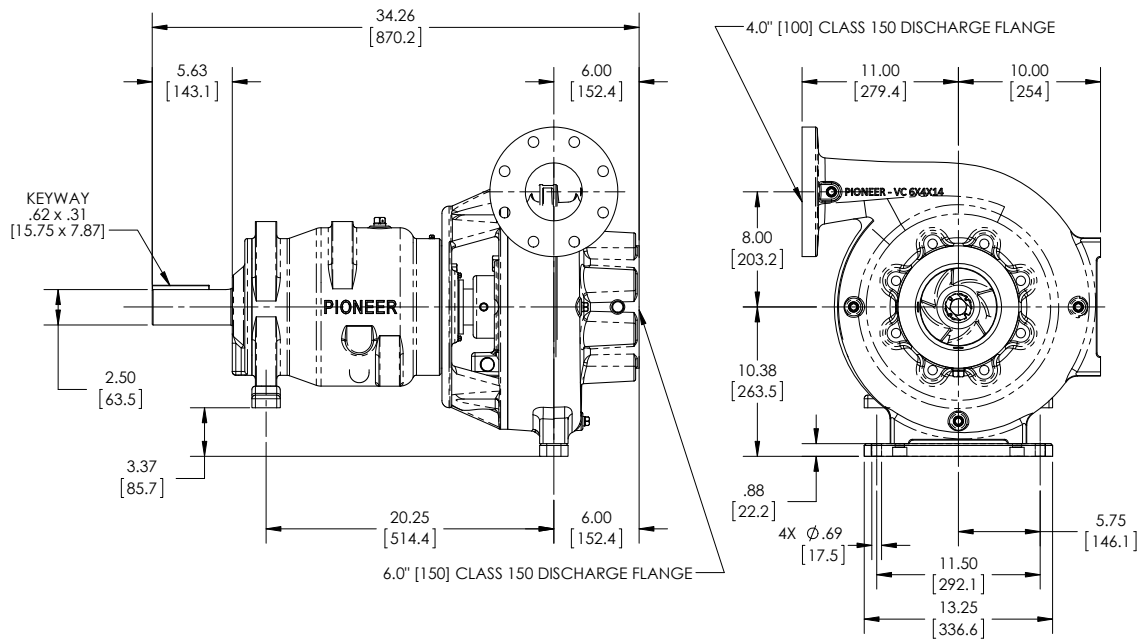
MATERIALS OF CONSTRUCTION

Material	Standard Construction	CD4MCu Duplex Stainless
Impeller	Stainless Steel ASTM A744 CA6NM	ASTM A744 CD4MCu
Volute	Ductile Iron ASTM A536 65-45-12	ASTM A744 CD4MCu
Wear Ring	ASTM A48 Class 40 Gray Iron	ASTM A743 316 Stainless
Suction Cover	Ductile Iron ASTM A536 65-45-12	ASTM A744 CD4MCu
Brac-plate	Ductile Iron ASTM A536 65-45-12	ASTM A744 CD4MCu
Bearing Housing	ASTM A48 Class 30 Gray Iron	ASTM A48 Class 30 Gray Iron

APPLICATIONS

Oil & Gas	Petrochemical
Construction	Rental
Industrial	Agriculture
Mining	Irrigation
PosiValve™ Patent #6,783,730	

MECHANICAL DIMENSIONS



PERFORMANCE CURVE

Model: SC64C14

Impeller Dia: 14"

Speed: Variable

Solids Size: 1"

Curve #014187HQ

PEI_{CL}: 0.96

