

Standard Centrifugal SC86C10

PERFORMANCE

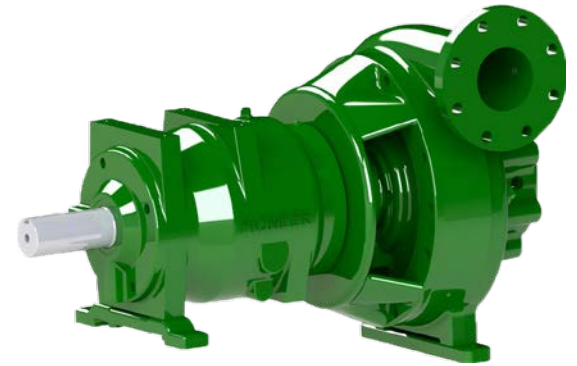
End Suction Standard Centrifugal Pump

Bare shaft, frame mounted, heavy duty pump

Size	8" x 6" 200 x 150 mm
Flow, Max	1900 USgpm 440 m ³ /hr 120 l/s
Head, Max	110 feet 30 meters
Flow at BEP	1250 USgpm 290 m ³ /hr 80 l/s
Efficiency at BEP	80%
PEI _{CL} Number	Close Coupled, 0.97 Frame Mounted, 0.97
Solids Handling, Max	0.5" 13 mm
Operating Speed, Max	1780 rpm
Suction Connection	8" (200 mm) 150 ANSI Flanges
Delivery Connection	6" (150 mm) 150 ANSI Flanges
Bearing Lubrication	Oil STD Grease optional
Fasteners	Imperial

APPLICATIONS

Oil & Gas	Petrochemical
Construction	Rental
Industrial	Agriculture
Mining	Irrigation
PosiValve™ Patent #6,783,730	



High Flow, Heavy Duty Pump

The SC86C10 is a high flow, ruggedized pump designed to run over a broad range of performance and deliver outstanding suction lift. The rugged construction and modular design provide proven reliability and flexibility in the most demanding applications.

OPTIONAL PRIMING SYSTEM

Priming System	Mechanically driven diaphragm-style vacuum pump
Air Removal Capability	50 CFM
Priming Chamber	Single chamber with positive sealing air separation PosiValve™ with stainless steel float ball & linkage
Discharge Check Valve	Swing style; ductile iron with nitrile disc

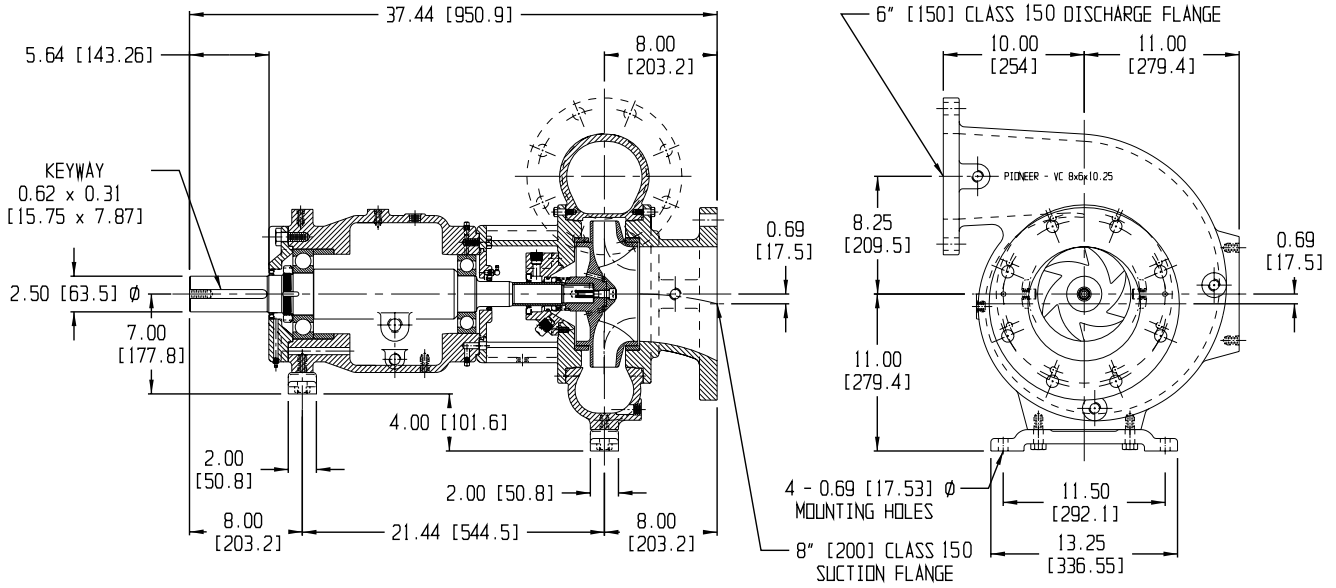
SPECIFICATIONS

Mechanical Seal	Single seal w/ tungsten carbide vs. silicon carbide seal faces, Viton® elastomers, 300 series stainless steel hardware and spring (run dry option available)	
Pump End Bearing	Single Row Ball	
Drive End Bearing	Double Row Angular Contact	
Shaft	17-4 PH Stainless Steel	

MATERIALS OF CONSTRUCTION

Material	Standard Construction	CD4MCu Duplex Stainless
Impeller	Stainless Steel ASTM A744 CA6NM	ASTM A744 CD4MCu
Volute	Ductile Iron ASTM A536 65-45-12	ASTM A744 CD4MCu
Wear Ring	ASTM A48 Class 40 Gray Iron	ASTM A743 316 Stainless
Suction Cover	Ductile Iron ASTM A536 65-45-12	ASTM A744 CD4MCu
Brac-plate	Ductile Iron ASTM A536 65-45-12	ASTM A744 CD4MCu

MECHANICAL DIMENSIONS



PERFORMANCE CURVE

Model: SC86C10

Impeller Dia: 10"

Speed: 1780 rpm

Solids Size: 0.5"

Curve #A3672HQ

PE_L: 0.97

