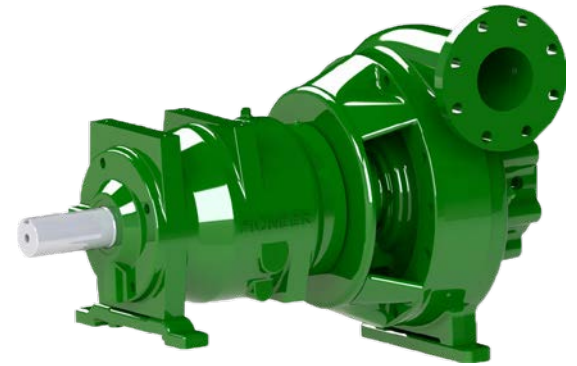


Standard Centrifugal SC66C14



PERFORMANCE

End Suction Standard Centrifugal Pump

Bare shaft, frame mounted, heavy duty pump

Size	6" x 6" 150 x 150 mm
Flow, Max	2825 USgpm 660 m ³ /hr 180 l/s
Head, Max	320 feet 100 meters
Flow at BEP	2625 USgpm 600 m ³ /hr 170 l/s
Efficiency at BEP	81%
PEI _{CL} Number	Close Coupled, 0.99 Frame Mounted, 1.00
Solids Handling, Max	1" 25 mm
Operating Speed, Max	2200 rpm
Suction Connection	6" (150 mm) 150 ANSI Flanges
Delivery Connection	6" (150 mm) 150 ANSI Flanges
Bearing Lubrication	Oil STD Grease optional
Fasteners	Imperial

High Flow, Heavy Duty Pump

The SC66C14 is a high flow, ruggedized pump designed to run over a broad range of performance and deliver outstanding suction lift. The rugged construction and modular design provide proven reliability and flexibility in the most demanding applications.

OPTIONAL PRIMING SYSTEM

Priming System	Mechanically driven diaphragm-style vacuum pump
Air Removal Capability	50 CFM
Priming Chamber	Single chamber with positive sealing air separation PosiValve™ with stainless steel float ball & linkage
Discharge Check Valve	Swing style; ductile iron with nitrile disc

SPECIFICATIONS

Mechanical Seal	Single seal w/ tungsten carbide vs. silicon carbide seal faces, Viton® elastomers, 300 series stainless steel hardware and spring (run dry option available)
Pump End Bearing	Single Row Ball
Drive End Bearing	Double Row Angular Contact
Shaft	17-4 PH Stainless Steel

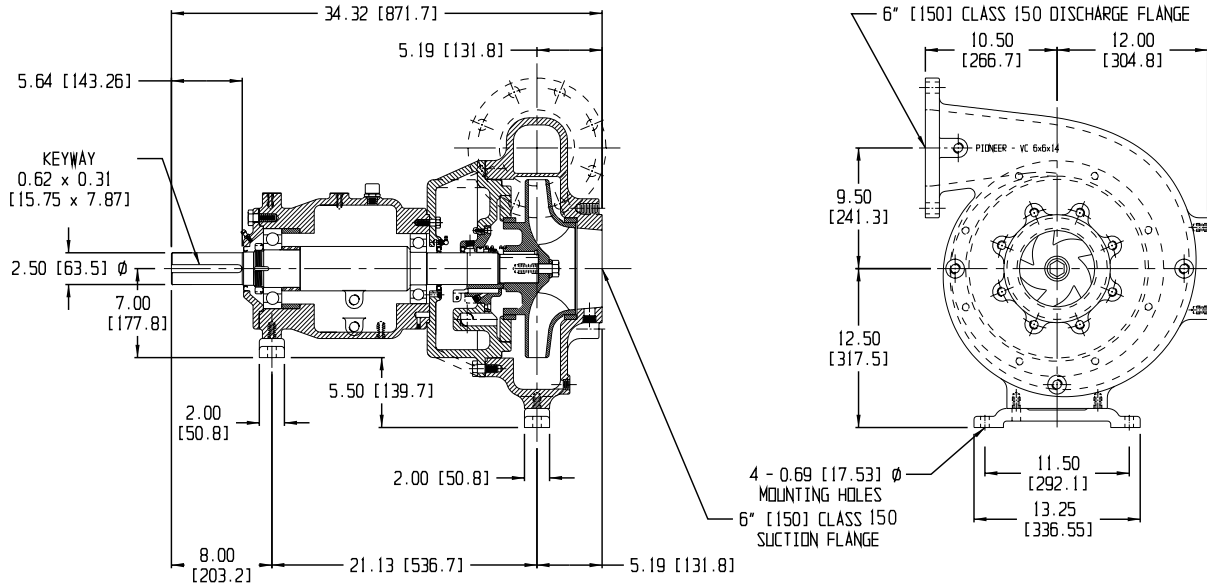
MATERIALS OF CONSTRUCTION

Material	Standard Construction	CD4MCu Duplex Stainless
Impeller	Stainless Steel ASTM A744 CA6NM	ASTM A744 CD4MCu
Volute	Ductile Iron ASTM A536 65-45-12	ASTM A744 CD4MCu
Wear Ring	ASTM A48 Class 40 Gray Iron	ASTM A743 316 Stainless
Suction Cover	Ductile Iron ASTM A536 65-45-12	ASTM A744 CD4MCu
Brac-plate	Ductile Iron ASTM A536 65-45-12	ASTM A744 CD4MCu

APPLICATIONS

Oil & Gas	Petrochemical
Construction	Rental
Industrial	Agriculture
Mining	Irrigation
PosiValve™ Patent #6,783,730	

MECHANICAL DIMENSIONS



PERFORMANCE CURVE

Model: SC66C14

Impeller Dia: 14"

Speed: Variable

Solids Size: 1"

Curve #A2578HQ

PE_{CL}: 1.00

