



Standard Centrifugal

SC44S10L71



PERFORMANCE

End suction centrifugal pump

Bare shaft, frame mounted, heavy duty, solids handling pump

Size	4" x 4" 100 x 100 mm
Flow, Max	1700 USgpm 390 m ³ /h 110 l/s
Head, Max	175 feet 53 meters
Flow at BEP	1000 USgpm 227 m ³ /h 63 l/s
Efficiency at BEP	68%
Solids Handling, Max	3" 76 mm
Operating Speed, Max	2200 rpm
Suction Connection	4" (100 mm) 150 ANSI Flanges
Delivery Connection	4" (100 mm) 150 ANSI Flanges
Bearing Lubrication	Oil STD Grease optional
Fasteners	Imperial

High flow, solids handling heavy duty pump

The SC44S10 is a high flow, ruggedized pump designed to operate over a broad range of performance while delivering outstanding suction lift. The rugged construction and modular design provide proven reliability and flexibility in the most demanding applications.

OTHER SPECIFICATIONS

Mechanical Seal	Single type seal w/ tungsten carbide vs. silicon carbide seal faces, viton elastomers, 300 series stainless steel hardware and spring (run dry option available)
Pump End Bearing	Single Row Ball
Drive End Bearing	Single Row Ball
Shaft	17-4 PH Stainless Steel
SAE	SAE engine-mount bracket options available

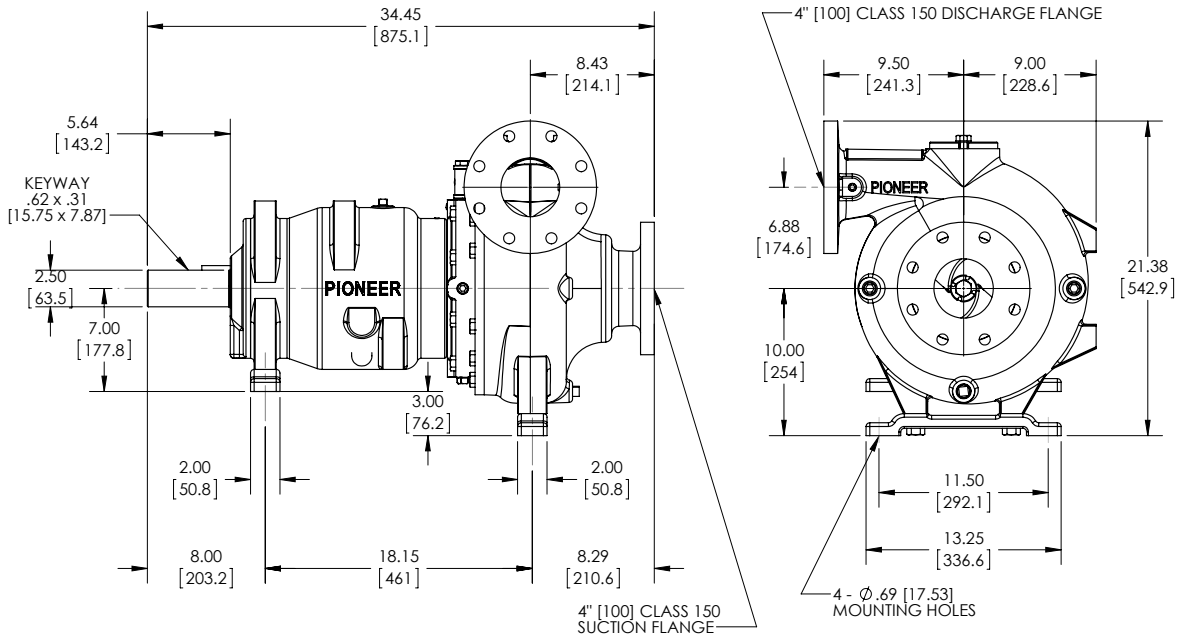
CONSTRUCTION MATERIALS

Material	Standard Construction	CD4MCu Stainless Steel
Impeller	CA6NM SS	CD4MCu
Volute	Ductile Iron ASTM A536 65-45-12	CD4MCu
Wear Ring	ASTM A48 Class 40 Gray Iron	316 SS
Suction Cover	Ductile Iron ASTM A536 65-45-12	CD4MCu
Bracket	Ductile Iron ASTM A536 65-45-12	CD4MCu
Backplate	Ductile Iron ASTM A536 65-45-12	CD4MCu

APPLICATIONS

Construction	Wastewater
Industrial	Power Generation
Mining	Environmental

MECHANICAL DIMENSIONS



PERFORMANCE CURVE

Model: SC44S10

Impeller Dia: 10"

Speed: Variable

Solids Size: 3.0"

Curve #SC44S10-VS-10

