

Wet Prime Centrifugal

P2B063L75-H0

PERFORMANCE

English Metric (l/s)

Pump Bare shaft, frame mounted, self-priming, solids handling pump

Flange Size (Suction x Discharge)	2" x 2"
Flow, Max	200 gpm 45.4 m ³ /hr 12.6 l/s
Head, Max	125 feet 38.1 meters
Flow at BEP	200 gpm 45.4 m ³ /hr 12.6 l/s
Efficiency at BEP	45%
Solids Handling, Max	1.5" 38.1 mm
Operating Speed, Max	2900 rpm

APPLICATIONS

Industrial	Food Processing
Municipal	Wastewater
Construction	Mining
Oil Field	Petrochemical
Agriculture	



Heavy-duty, self-priming pump

Designed for handling solids and clear liquids, the Pioneer PB Series is the next generation of self-priming pumps. This lineup of pumps offer superior performance, increased reliability, and additional ease-of-maintenance features.

FEATURES

Rotating Assembly	Utilizes a double-lip seal with atmospheric drain for additional bearing protection
Cover Plate	Removable with convenient grip handle for ease of maintenance
Mechanical Seal	Cartridge-type, oil-lubricated 316 SS/carbide for simple installation and ease of maintenance
Shaft	AISI 4140 alloy steel; corrosion-resistant, easy to maintain, and highly reliable
O-rings	Nitrile and FKM for use in a wide range of applications
Available Alloys	316 and CD4Mcu stainless steels

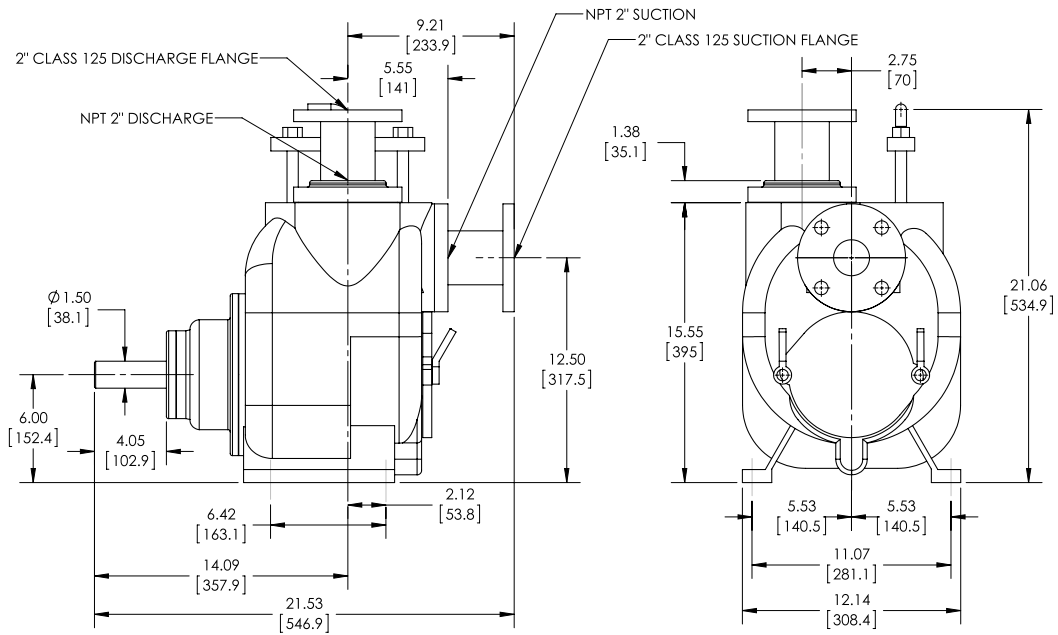
DRIVE OPTIONS

Bareshaft Pump End	Electric Driven Trailer	Electric Direct Drive w/Guard
Overhead Belt Drive	Diesel Driven Trailer	SAE: SAE engine-mount bracket options available

STANDARD MATERIALS OF CONSTRUCTION

	Standard Materials	CD4MCu Duplex Stainless	316 Stainless
Impeller	ASTM A536 Ductile Iron 65-45-12	ASTM A744 CD4MCu	ASTM A743 316 SS
Volute	ASTM A48 Class 30 Gray Iron	ASTM A744 CD4MCu	ASTM A743 316 SS
Inspection Cover	ASTM A48 Class 30 Gray Iron	ASTM A744 CD4MCu	ASTM A743 316 SS
Wear Plate	1018 Steel	ASTM A744 CD4MCu	ASTM A743 316 SS
Seal Plate	ASTM A48 Class 30 Gray Iron	ASTM A744 CD4MCu	ASTM A743 316 SS
Bearing Housing	ASTM A48 Class 30 Gray Iron	ASTM A48 Class 30 Gray Iron	ASTM A48 Class 30 Gray Iron

MECHANICAL DIMENSIONS



PERFORMANCE CURVE

Model: P2B012

Impeller Dia: 12.38"

Speed: Variable

Solids Size: 1.5"

Curve #012-VSP2B

