


Pioneer Prime

PP128S22L71



PERFORMANCE

Vacuum Assisted, End Suction Centrifugal Pump

Bare shaft, SAE frame mounted, fully automatic dry priming, vacuum assisted, run dry, heavy duty solids handling pump

Size	12" x 8" 300 x 200 mm
Flow, Max	12,000 USgpm 2760 m ³ /h 760 l/s
Head, Max	720 feet 220 meters
Flow at BEP	8,000 USgpm 1800 m ³ /h 500 l/s
Efficiency at BEP	82%
Solids Handling, Max	3.0" 76 mm
Operating Speed, Max	2100 rpm
Suction Connection	12" (300 mm) 150 ANSI Flanges
Delivery Connection	8" (200 mm) 150 ANSI Flanges
Bearing Lubrication	Oil STD Grease optional
Fasteners	Imperial

High Flow, Solids Handling, Heavy Duty Pump

The PP128S22 is a high head pump designed to be cast in hard materials, as needed for the mine dewatering industry. It is a double volute design with minimal radial loading. With an 82% efficiency at BEP, the PP128S22 provides excellent performance, particularly for a pump running at these speeds, making it ideal pump for deep pit dewatering and water transfer.

PIONEER PRIME SYSTEM

Priming System	Mechanically Driven Diaphragm Style Vacuum Pump
Air Removal Capability	50 CFM
Priming Chamber	Single chamber with positive sealing air separation PosiValve™ with stainless steel float ball & linkage.
Discharge Check Valve	Swing Style - ductile iron with Buna-n Disc

OTHER SPECIFICATIONS

Mechanical Seal	Single seal w/ tungsten carbide vs. silicon carbide seal faces, Viton® elastomers, 300 series stainless steel hardware and spring, designed for indefinite dry running
Pump End Bearing	Single Row Ball
Drive End Bearing	Double Row Angular Contact
Shaft	17-4 PH Stainless Steel
SAE	SAE engine-mount bracket options available

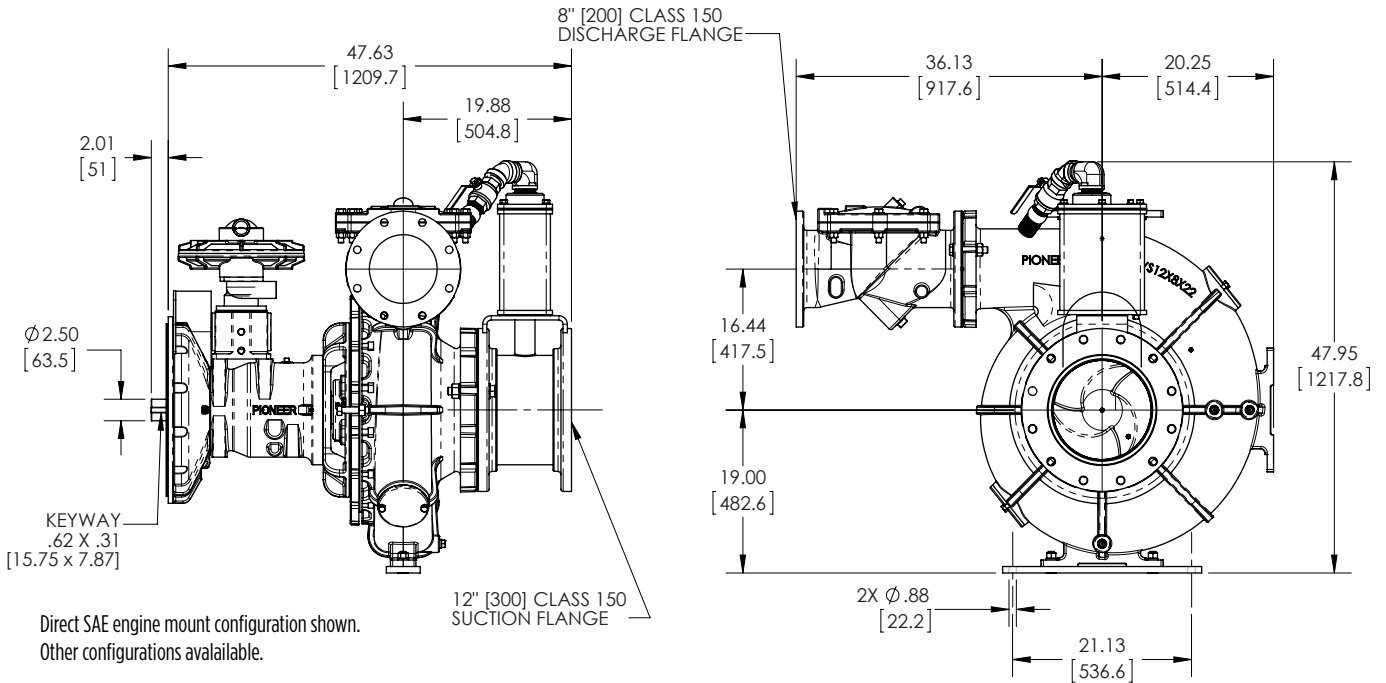
APPLICATIONS

Construction	Mining
Waste Water	Environmental
Industrial	Power Generation

CONSTRUCTION MATERIALS

Material	Standard Construction	CD4MCu Stainless Steel
Impeller	CA6NM SS	CD4MCu
Volute	Ductile Iron ASTM A536 65-45-12	CD4MCu
Wear Ring	ASTM A48 Class 40 Gray Iron	316 SS
Suction Cover	Ductile Iron ASTM A536 65-45-12	CD4MCu
Bracket	Ductile Iron ASTM A536 65-45-12	CD4MCu
Backplate	Ductile Iron ASTM A536 65-45-12	CD4MCu

MECHANICAL DIMENSIONS



PERFORMANCE CURVE

Model: PP128S22

Impeller Dia.: 22"

Speed: Variable

Solids Size: 3.0"

Curve #13477HQ

