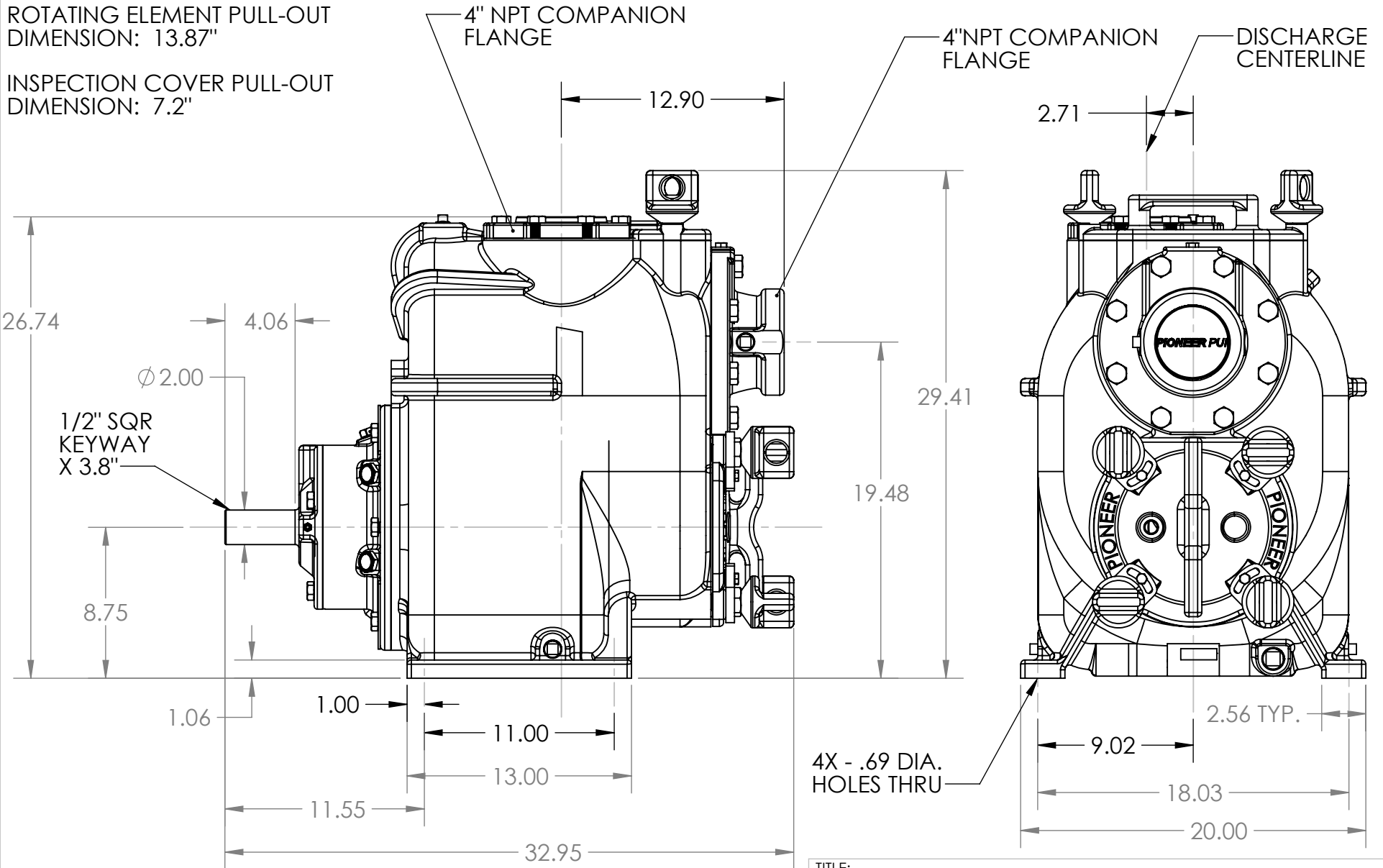


ROTATING ELEMENT PULL-OUT
DIMENSION: 13.87"

INSPECTION COVER PULL-OUT
DIMENSION: 7.2"



DIMENSIONS ARE IN INCHES AND [MILLIMETERS]. UNLESS OTHERWISE SPECIFIED, TOLERANCES ARE ±0.125 [3.2]

TITLE:
GT4 DIMENSIONS WITH COMPANION FLANGES

PROPRIETARY AND CONFIDENTIAL
THE INFORMATION CONTAINED IN THIS DRAWING IS THE SOLE PROPERTY OF PIONEER PUMP, INC. ANY REPRODUCTION IN PART OR AS A WHOLE WITHOUT THE WRITTEN PERMISSION OF PIONEER PUMP, INC. IS PROHIBITED.



WEIGHT:	NAME	DATE	SIZE	DWG. NO.	REV.
	BC	6/12/2015	A	15512A	-.000
CHECKED BY	XXX	X/X/XXXX	SCALE: 1:8	DO NOT SCALE DRAWING	SHEET 1 OF 1