

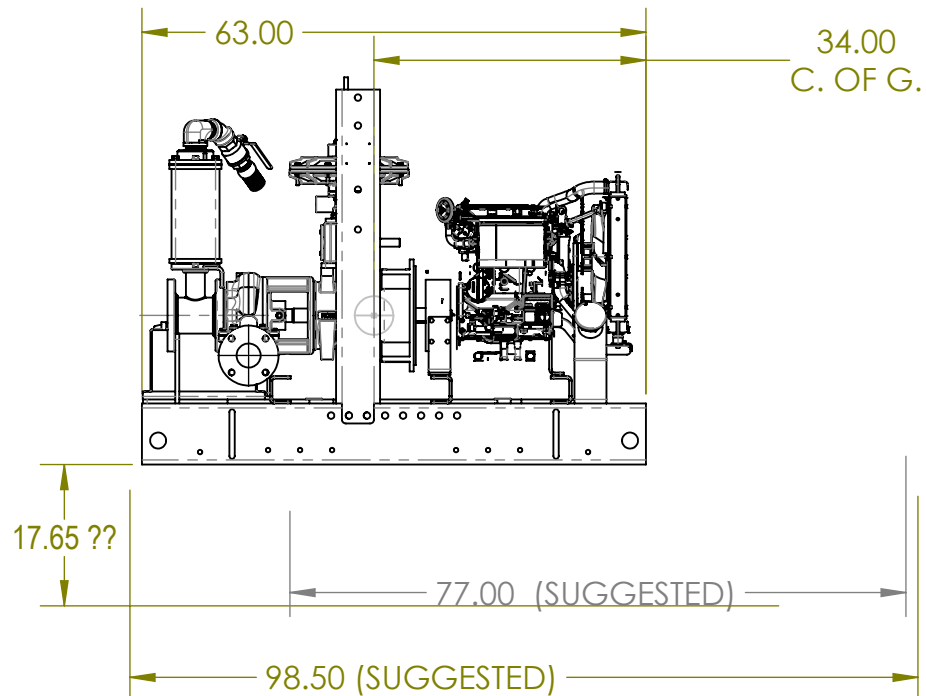
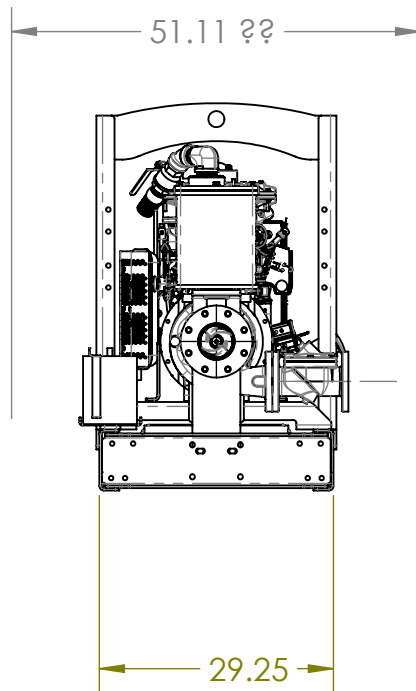
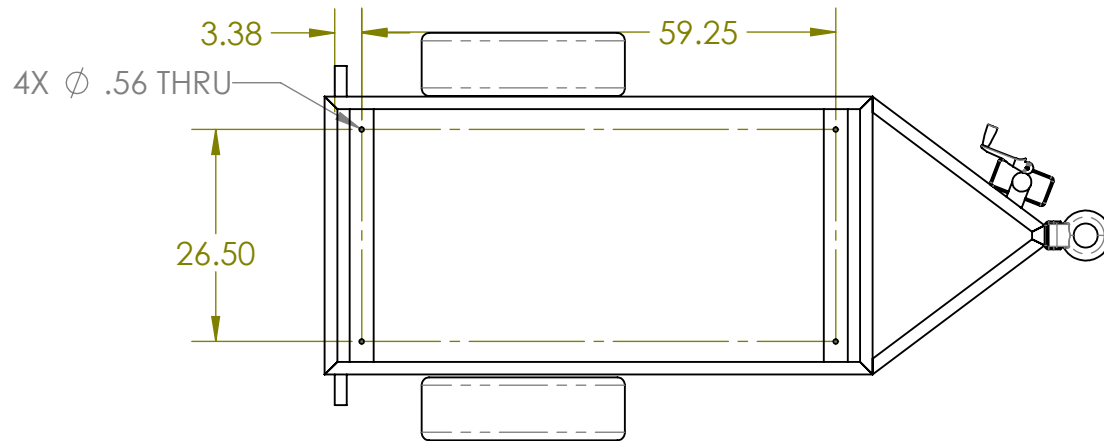
DIMENSIONS ARE IN INCHES AND [MILLIMETERS]. UNLESS OTHERWISE SPECIFIED, TOLERANCES ARE ± 0.125 [3.2]

TITLE:
DIM. PAGE, PP43075-KDW1003 DOT TRAILER

PROPRIETARY AND CONFIDENTIAL
THE INFORMATION CONTAINED IN THIS DRAWING IS THE SOLE PROPERTY OF **PIONEER PUMP, INC.** ANY REPRODUCTION IN PART OR AS A WHOLE WITHOUT THE WRITTEN PERMISSION OF **PIONEER PUMP, INC.** IS PROHIBITED.



WEIGHT:	NAME	DATE	SIZE	DWG. NO.	REV.
DRAWN BY	ESW	7/24/2018	A	18620A	-.001
CHECKED BY	XXX	X/X/XXXX	SCALE: 1:18	DO NOT SCALE DRAWING	SHEET 1 OF 2



APPROXIMATE LOAD = 1800lb

DIMENSIONS ARE IN INCHES AND [MILLIMETERS]. UNLESS OTHERWISE SPECIFIED, TOLERANCES ARE ±0.125 [3.2]

TITLE:
TRAILER DIMENSIONS

WEIGHT:	NAME	DATE	SIZE	DWG. NO.	REV.
DRAWN BY	ESW	7/24/2018	A	18620A	-.001
CHECKED BY	XXX	X/X/XXXX	SCALE: 1:24	DO NOT SCALE DRAWING	SHEET 2 OF 2

PROPRIETARY AND CONFIDENTIAL
THE INFORMATION CONTAINED IN THIS DRAWING IS THE SOLE PROPERTY OF **PIONEER PUMP, INC.** ANY REPRODUCTION IN PART OR AS A WHOLE WITHOUT THE WRITTEN PERMISSION OF **PIONEER PUMP, INC.** IS PROHIBITED.

