

# GL SERIES

## Pioneer Prime Diesel-Driven Centrifugal Pump

# PP66S12L71-TD2.9-GL2

The Pioneer Pump® GL Series pump packages move large volumes of water in nearly any rugged industrial, municipal, agricultural, mining, dewatering, or rental application. The patented, environmentally safe vac-assist priming system with PosiValve™ evacuates air faster to accelerate and simplify priming, while efficient tank sizes provide up to 30 hours of runtime at full load. Engineered for modularity, the GL Series is available in skid or trailer configurations with a variety of build options to fit each application, and is fully Tier IV ready with the flexibility to offer multiple engine options.



### PUMP SPECIFICATIONS

Size	6" x 6" (150 x 150 mm)
Max Flow	3,200 gpm (730 m <sup>3</sup> /h)
Max Head	130 feet (40 meters)
Solids Size	3" (76 mm)

### ENGINE SPECIFICATIONS

Engine Type	Deutz TD2.9L, 4-Cylinder Diesel, Final Tier 4
Displacement	177 cu. in. (2.9 l)
Fuel Consumption	3.67 gph (13.9 l/h) @ 1800 rpm (full load)
Continuous HP	58 HP @ 1800 rpm
Safety Features	Low oil press., high temp., v-belt failure
Instrument Panel	Oil pressure gauge, ampmeter, hourmeter, tachometer

### PRIME VAC-ASSIST PRIMING SYSTEM

Priming System	Mechanically driven vacuum pump
Air Removal Cap.	50 cfm
Priming Chamber	Air separation PosiValve™ w/SS components
Discharge Check Valve	Ductile iron body; swing flex nitrile rubber flapper
Run Dry System	Oil reservoir for mechanical seal; indefinite run-dry capability

### FEATURES

- Indefinite run-dry capability
- Extreme flow technology
- Environmentally safe priming system with patented PosiValve™
- Auto-start controls

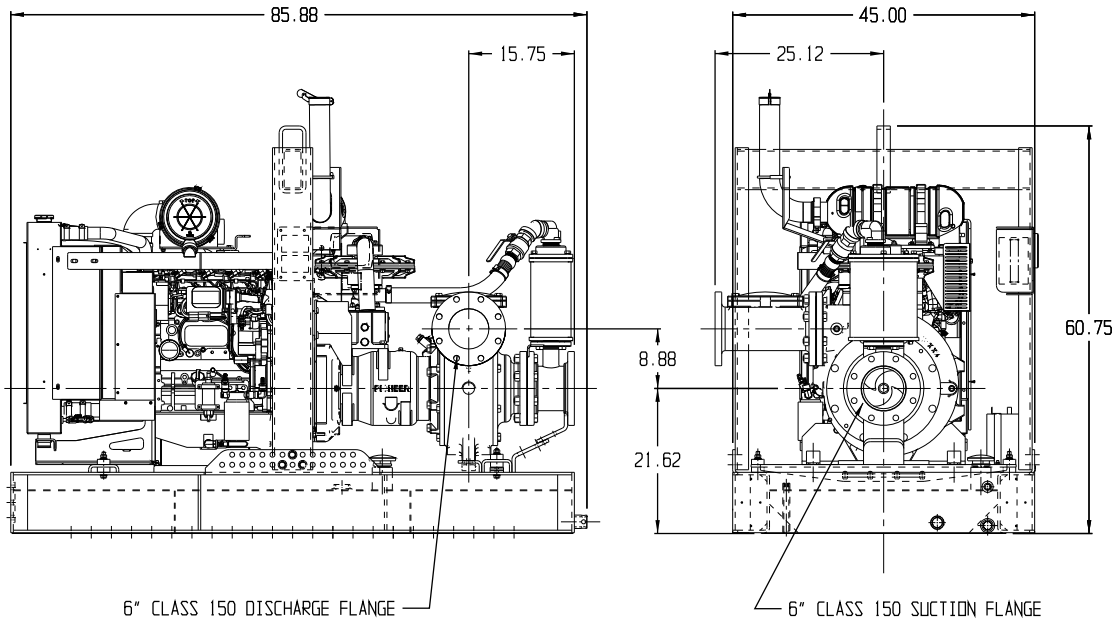
### SPECIFICATIONS

Control Panel	Murphy MPC-10
Dimensions (L x W x H)	86 x 45 x 61 in.
Fuel Capacity	75 U.S. gallons
Fuel Usage	3.67 gph
Runtime	20.4 hours (full load @ 1800 rpm)
Other Specifications	Vibration isolated, lifting bail, leak-proof diesel cap, analog fuel gauge, tank clean-out, drip pan drain

### MATERIALS OF CONSTRUCTION

Material	Standard Construction
Impeller	CA6NM SS
Shaft	17-4 PH
Wear Ring	Gray Iron
Suction Cover	Ductile Iron
Volute	Ductile Iron
Brac-Plate/Bracket	Ductile Iron
Mechanical Seal	Tungsten vs. Silicon Carbide
O-rings	FKM

## MECHANICAL DIMENSIONS



## PERFORMANCE CURVE

Model: PP66S12

Impeller Dia: 11"

Solids Size: 3"

Curve #A928HQ

