

The mechanical seal kit and bearing frame kit are offered separately.

We recommend ordering both kits for a major service. Both the Mechanical Seal and Bearing Frame kits include all O-rings needed for service.

Part Number	Description
372000137	Mechanical Seal Kit, includes O-rings
373000127	Bearing Frame Kit, includes O-rings

### PN 372000137 Mechanical Seal Kit

Qty	Item #	Description
1	31871101	4" FULL FLANGE GASKET
1	31871141	FILL COVER GASKET
1	31852909	GASKET SUCTION FLANGE
2	30147273	O-RING 2-273 BUNA-N70
2	30147449	O-RING 2-449 BUNA-N70
1	37622062ff125	IMPELLER SCREW
1	21422101	IMPELLER WASHER
1	12721110	SHIM 2.56 x 1.28 x .005
1	12721111	SHIM 2.56 x 1.28 x .010
1	12721112	SHIM 2.56 x 1.28 x .015
1	30422187	CARTRIDGE SEAL ASSY
1	31852905	GASKET SEAL PLATE
1	34800104	P-80 LUBRICANT, 10ML
1	34800105	LOCTITE 263, 0.5ML TUBE
1	88PFLASHLIGHT	LED FLASHLIGHT W/LOGO

### PN 373000127 Bearing Frame Kit

Qty	Item #	Description
3	30500110	LIP SEAL BUNA
1	12211110	KEY 3/8 x 3/8 x 2.50 LG
1	353005100156	SNAP RING 5100-156
1	31900122	OUTBOARD BEARING
1	3187216425	GASKET BRG CAP GS4
1	31900123	INBOARD BEARING
1	30147449	O-RING 2-449 BUNA-N70
1	31852905	GASKET SEAL PLATE
2	30147273	O-RING 2-273 BUNA-N70

### Ordering Information

Parts kits are in stock and available for shipment within 2 business days.

Please call or email orders. Phone (503) 266-4115, Email [Parts@pioneerpump.com](mailto:Parts@pioneerpump.com)

### Note

Part numbers listed reflect updated part numbers as of August 2017. Older documentation may have different part numbers. Please consult factory if differences appear.

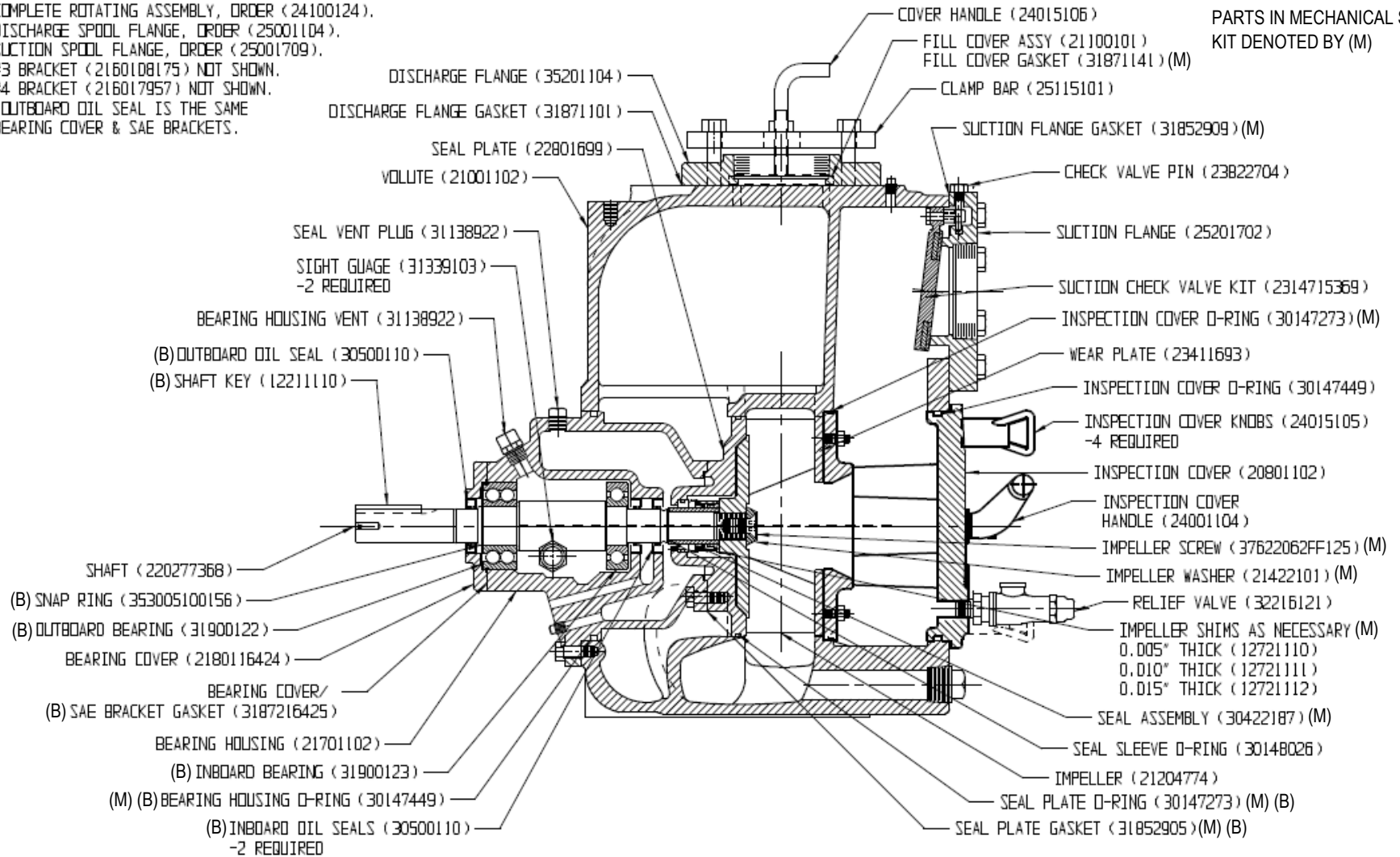
All parts included in kits are standard material. Please contact Pioneer Pump for any special requests regarding the material of component.

NOTES:

- PIONEER PUMP PART NUMBERS IN ( ).
- CAPSCREWS NOT LISTED, USE GRADE 5 MATERIAL.
- FOR COMPLETE ROTATING ASSEMBLY, ORDER (24100124).
- FOR DISCHARGE SPOOL FLANGE, ORDER (25001104).
- FOR SUCTION SPOOL FLANGE, ORDER (25001709).
- SAE #3 BRACKET (2160108175) NOT SHOWN.
- SAE #4 BRACKET (216017957) NOT SHOWN.
- NOTE OUTBOARD OIL SEAL IS THE SAME FOR BEARING COVER & SAE BRACKETS.

PARTS IN BEARING FRAME KIT DENOTED BY (B)

PARTS IN MECHANICAL SEAL KIT DENOTED BY (M)



MODEL : GS4097L75-HD  
REFERENCE : SPHFGS4-000

DWG NO. 17499A  
REVISION: 002  
DRAWN BY: ESW  
DATE: 8/18/2017