

The mechanical seal kit and bearing frame kit are offered separately.

We recommend ordering both kits for a major service. Both the Mechanical Seal and Bearing Frame kits include all O-rings needed for service.

Part Number	Description
372000132	Mechanical Seal Kit, includes O-rings
372000128	Bearing Frame Kit, includes O-rings

PN 372000132 Mechanical Seal Kit

Qty	Item #	Description
1	31871102	6" FULL FLANGE GASKET
1	31871141	FILL COVER GASKET
1	31852910	GASKET SUCTION FLANGE
1	30147454	O-RING 2-454 BUNA-N70
1	37622062FF125	IMPELLER SCREW
1	21422101	IMPELLER WASHER
1	12721123	SHIM 2.50 x 1.53 x .005
1	12721124	SHIM 2.50 x 1.53 x .010"
1	12721125	SHIM 2.50 x 1.53 x .031"
1	30147277	O-RING 2-277 BUNA-N70
1	30422187	CARTRIDGE SEAL ASSY
1	30148026	O-RING 2-029 VITON
2	30148454	O-RING 2-454 VITON
1	31852905	GASKET SEAL PLATE
1	34800104	P-80 LUBRICANT, 10ML TUBE
1	34800105	LOCTITE 263, 0.5ML TUBE
1	88PFLASHLIGHT	LED FLASHLIGHT W/LOGO

PN 373000128 Bearing Frame Kit

Qty	Item #	Description
1	12221110	KEY 3/8 x 3/8 x 2.50 LG
1	353005160193	SNAP RING 5160-193
1	31900120	BRNG 5310ANR.C3
1	3187115981	GASKET BEARING COVER
3	30500117	LIP SEAL 473239 BUNA
2	30148454	O-RING 2-454 VITON
1	31852905	GASKET SEAL PLATE
1	31871141	FILL COVER GASKET
1	30148029	O-RING 2-029 VITON
1	31900121	BEARING 6310.C3

Ordering Information

Parts kits are in stock and available for shipment within 2 business days.

Please call or email orders. Phone (503) 266-4115, Email Parts@pioneerpump.com.

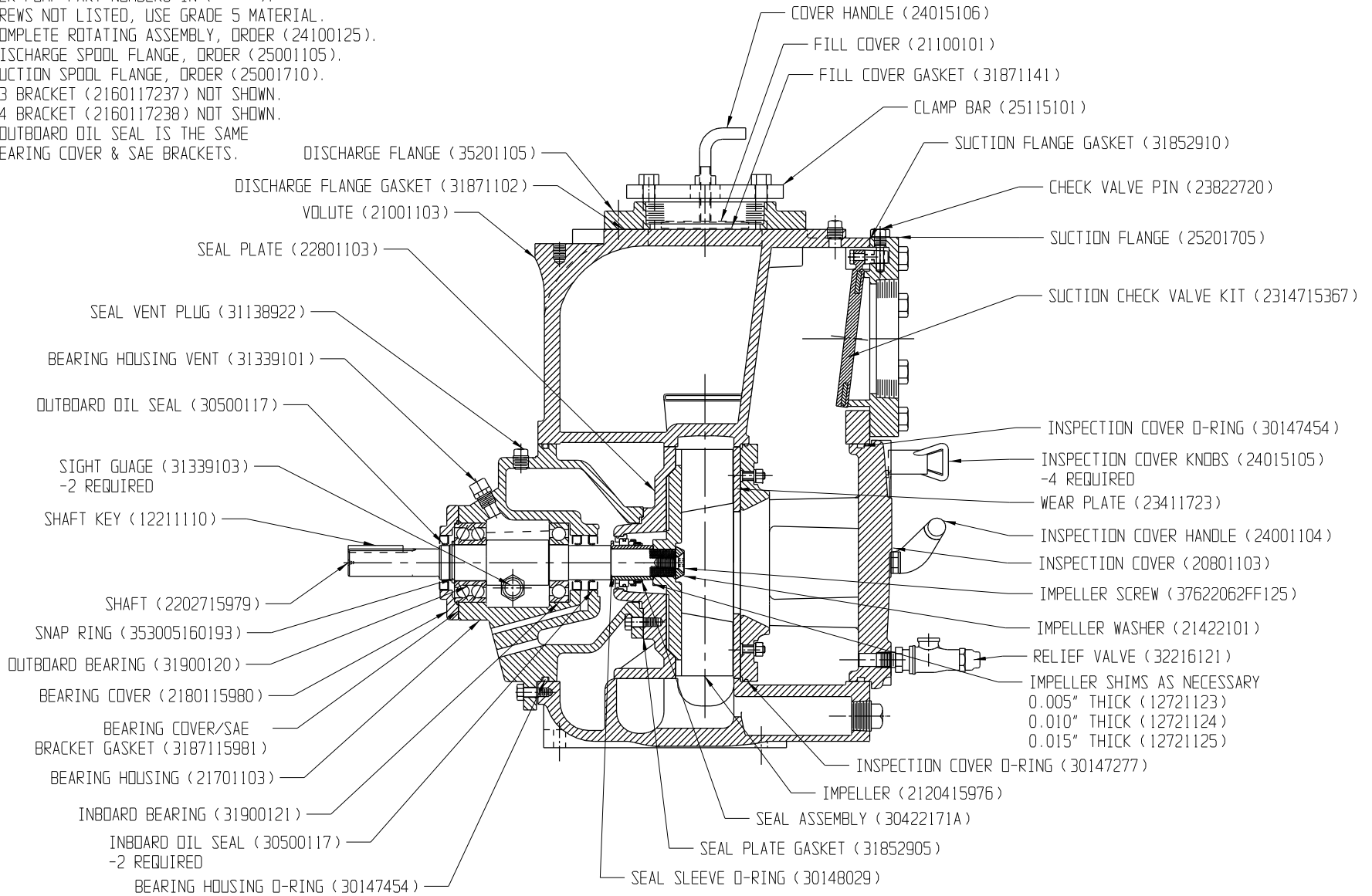
Note

Part numbers listed reflect updated part numbers as of August 2017. Older documentation may have different part numbers. Please consult factory if differences appear.

All parts included in kits are standard material. Please contact Pioneer Pump for any special requests regarding the material of components.

NOTES:

- PIONEER PUMP PART NUMBERS IN ().
- CAPSCREWS NOT LISTED, USE GRADE 5 MATERIAL.
- FOR COMPLETE ROTATING ASSEMBLY, ORDER (24100125).
- FOR DISCHARGE SPOOL FLANGE, ORDER (25001105).
- FOR SUCTION SPOOL FLANGE, ORDER (25001710).
- SAE #3 BRACKET (2160117237) NOT SHOWN.
- SAE #4 BRACKET (2160117238) NOT SHOWN.
- NOTE OUTBOARD OIL SEAL IS THE SAME FOR BEARING COVER & SAE BRACKETS.



PIONEER PUMP
PERFORMANCE THROUGH INNOVATION™

MODEL : GS6012L75-HD

REFERENCE : SPHFGS6-000

DWG NO. 17498A
REVISION: 002
DRAWN BY: ESW
DATE: 8/24/2017