

The mechanical seal kit and bearing frame kit are offered separately.

We recommend ordering both kits for a major service. Both the Mechanical Seal and Bearing Frame kits include all O-rings needed for service.

Part Number	Description
372000113	Mechanical Seal Kit, includes O-rings
373000132	Bearing Frame Kit, includes O-rings

### PN 372000113 Mechanical Seal Kit

Qty	Item #	Description
1	30422187	CARTRIDGE SEAL ASSY
1	12721148	SHIM KIT 2.56 OD x 1.28 ID
1	21422783	IMPELLER WASHER
1	32635062f125	IMPELLER SCREW
2	30148447	O-RING 2-447 VITON
1	31852908	GASKET SUCTION FLANGE
1	30148271	O-RING 2-271 VITON
1	30148026	O-RING 2-026 VITON
1	31871106	3" FULL FLANGE GASKET
1	34800104	P-80 LUBRICANT, 10ML
1	34800105	LOCTITE 263, 0.5ML TUBE
1	88PFLASHLIGHT	LED FLASHLIGHT W/LOGO

### PN 373000132 Bearing Frame Kit

Qty	Item #	Description
1	30148210	O-RING 2-210 VITON
1	318527855	GASKET SEAL PLATE ES3
1	31900124	BEARING 6210-Z
1	353005100196	SNAP RING 5100-196
3	30500110	LIP SEAL 450185/15655
1	12211106	KEY 3/8 x 3/8 x 1.88 LG
1	31900125	BEARING 6210-NR
1	318527858	GASKET BRG CAP N-400
1	30148026	O-RING 2-026 VITON
2	30148447	O-RING 2-447 VITON

### Ordering Information

Parts kits are in stock and available for shipment within 2 business days.

Please call or email orders. Phone (503) 266-4115, Email Parts@pioneerpump.com.

### Note

Part numbers listed reflect updated part numbers as of August 2017. Older documentation may have different part numbers. Please consult factory if differences appear.

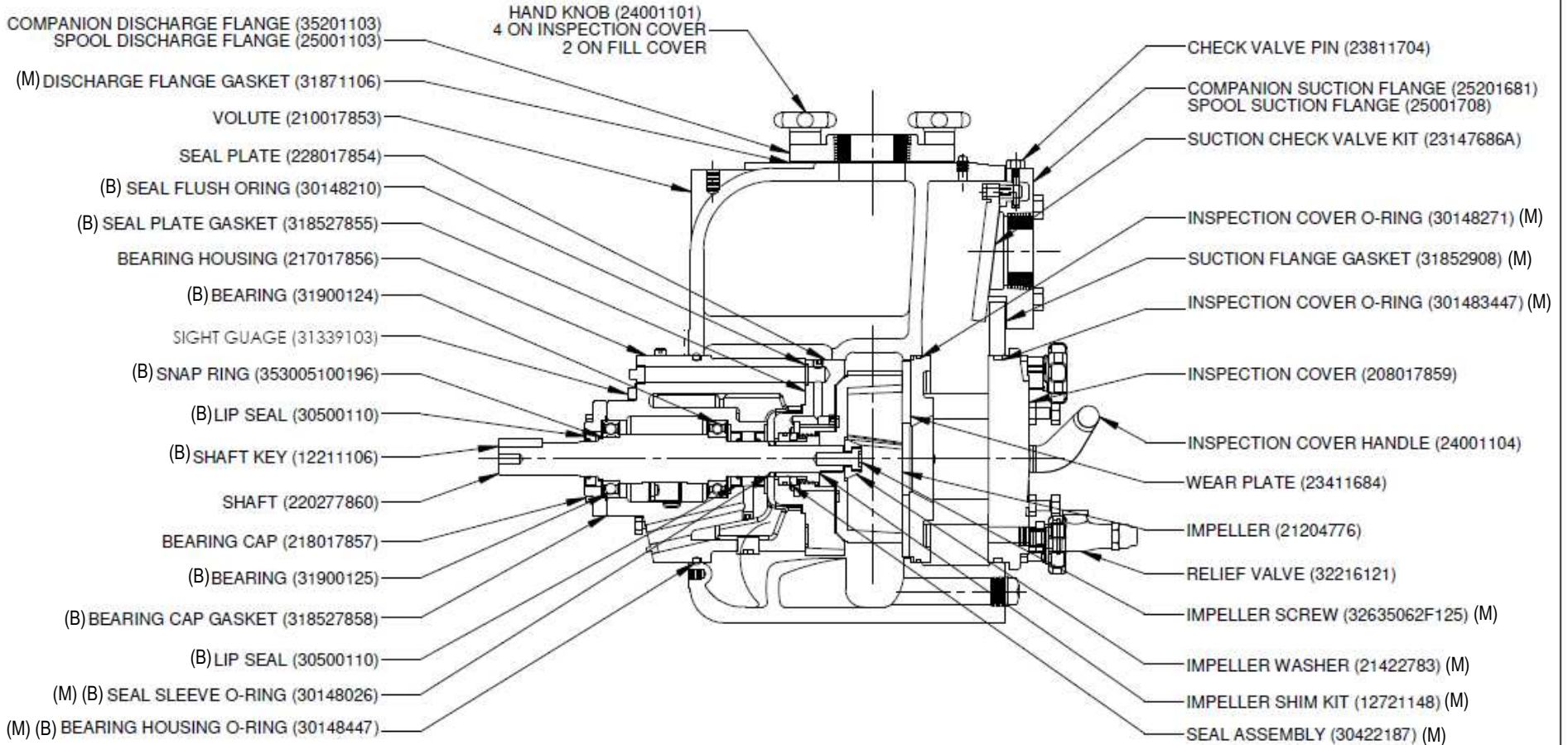
All parts included in kits are standard material. Please contact Pioneer Pump for any special requests regarding the material of component.

**NOTES:**

- PIONEER PUMP PART NUMBERS IN ( ).
- CAPSCREWS NOT LISTED, USE GRADE 5 MATERIAL.
- FOR COMPLETE ROTATING ASSEMBLY, ORDER (24100111).
- FILL COVER (21104683) NOT SHOWN.
- FILL COVER O-RING (30148243) NOT SHOWN.
- SEAL VENT PLUG (31138922) NOT SHOWN
- BEARING HOUSING VENT (31339101) NOT SHOWN

PARTS IN BEARING FRAME  
KIT DENOTED BY (B)

PARTS IN MECHANICAL SEAL  
KIT DENOTED BY (M)



TITLE:  
MODEL: ES3O87L75-HO (SPHFES3-000 & SPHFES3-001)

WEIGHT:	NAME	DATE	SIZE	DWG. NO.	REV.
	RJG	8/29/2017	<b>A</b>	<b>07862A</b>	<b>-.008</b>
CHECKED BY:	XXX	X/X/XXXX	SCALE: 1:2	DO NOT SCALE DRAWING	SHEET 1 OF 1

**PROPRIETARY AND CONFIDENTIAL**  
THE INFORMATION CONTAINED IN THIS DRAWING IS THE SOLE PROPERTY OF PIONEER PUMP, INC. ANY REPRODUCTION IN PART OR AS A WHOLE WITHOUT THE WRITTEN PERMISSION OF PIONEER PUMP, INC. IS PROHIBITED.

