

Wet Prime

## P3087L72



### Performance

#### Wet prime centrifugal pump

Bare shaft, frame mounted, self-priming, heavy duty, solids handling pump

Size	3" x 3" 76 x 76 mm
Flow, Max	450 USgpm 100 m <sup>3</sup> /h 30 l/s
Head, Max	148 feet 50 meters
Flow at BEP	400 USgpm 90 m <sup>3</sup> /h 30 l/s
Efficiency at BEP	48%
Solids Handling, Max	2.75" 70 mm
Operating Speed, Max	2200 rpm
Suction Connection	3" (76 mm) 150 ANSI Flanges
Delivery Connection	3" (76 mm) 150 ANSI Flanges
Bearing Lubrication	Oil STD Grease Optional
Fasteners	Imperial

### Applications

Wastewater	Steel
Quarry & Mining	Petrochemical

#### Heavy duty, self priming pump

With up to 2.75 inch solids handling capability. These pumps offer unrivalled reliability through the use of high quality ductile iron castings and 17-4PH stainless steel shafts.

### Options

- Stainless steel
- Electric driven
- Diesel driven
- V-Belt driven
- Natural gas engine

### Other Specifications

Mechanical Seal	Single seal w/ tungsten carbide vs. silicon carbide seal faces, Viton® elastomers, 300 series stainless steel hardware and spring.
Pump End Bearing	Open Single Ball
Drive End Bearing	Open Double Ball
Shaft	17-4 PH Stainless Steel

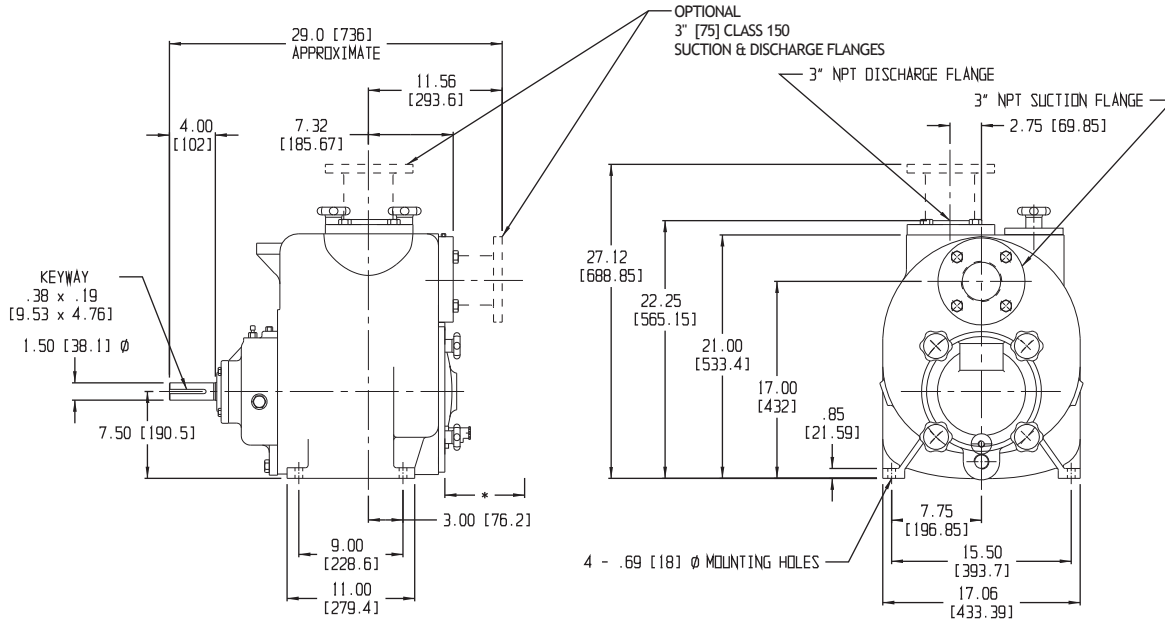
### Construction Materials Options

	Standard Construction	CD4MCu Stainless Steel
		CD4MCu
Impeller	Ductile Iron ASTM A536 65-45-12	CD4MCu
Volute	Ductile Iron ASTM A536 65-45-12	CD4MCu
Wear Plate	Steel A36 Mild	316 SS
Seal Housing	ASTM A48 Class 30 Gray Iron	CD4MCu
Cover Plate	Ductile Iron ASTM A536 65-45-12	CD4MCu



# Mechanical Dimensions

**P3087**



# Performance Curve

Model: P3087	Impeller Dia: 8.75"	Speed: Variable	Solids Size: 2.75"	Curve #A7500HQ
--------------	---------------------	-----------------	--------------------	----------------

