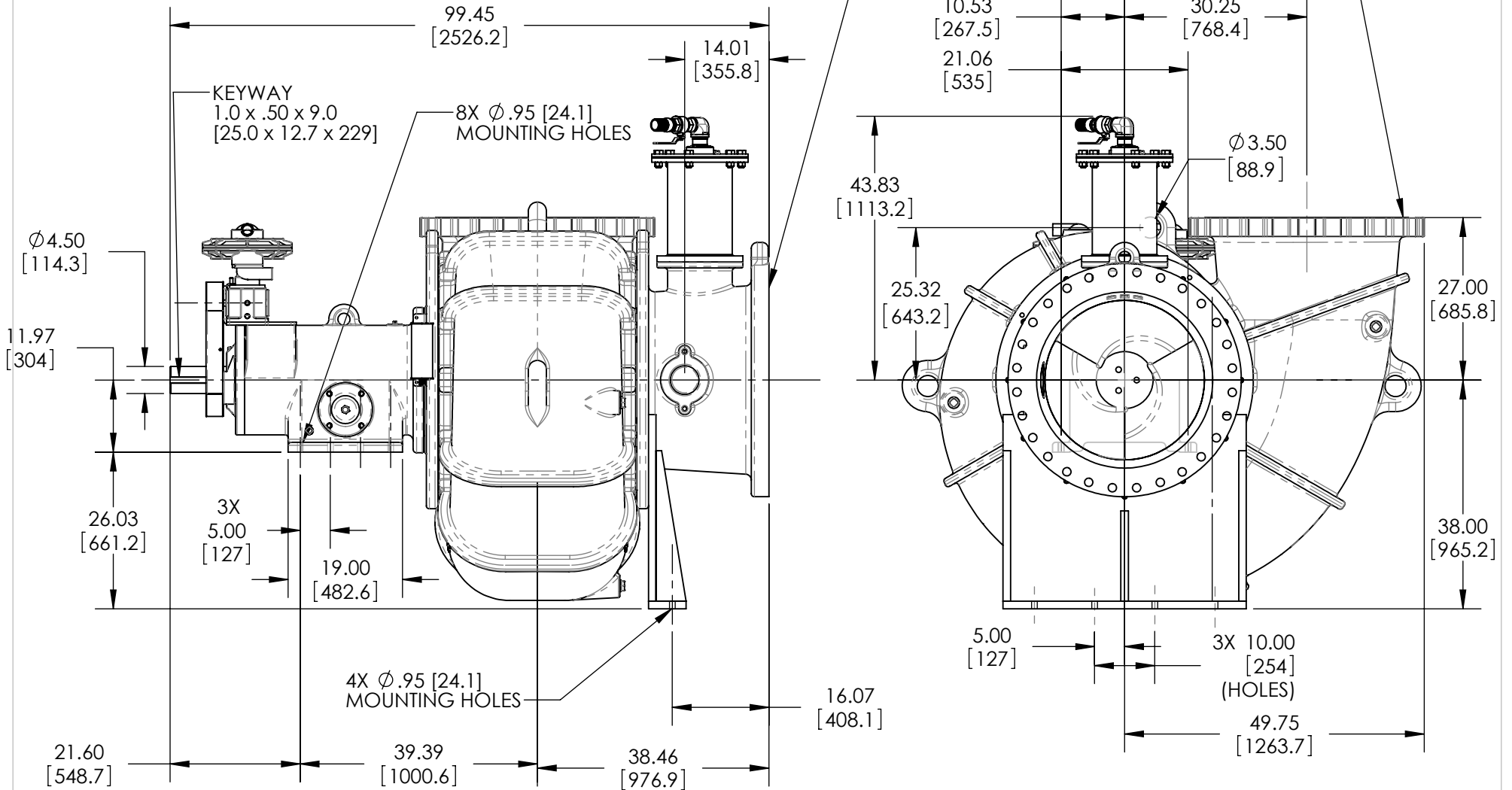


NOTES:
 - PIONEER PUMP PART NUMBER IN ().
 - CAPSCREWS NOT LISTED, USE GRADE 5 MATERIAL.

FITS 30"[762] CLASS 150
 SUCTION FLANGE

30"[762] CLASS 150
 DISCHARGE FLANGE



TITLE:
 DIM PAGE, PP3030S34-BH18.5 (TVD)

WEIGHT:	NAME	DATE	SIZE	DWG. NO.	REV.
	ESW	8/27/2013	A	12798A	-.000
CHECKED BY	XXX	X/X/XXXX	SCALE: 1:2	DO NOT SCALE DRAWING	SHEET 1 OF 1

PROPRIETARY AND CONFIDENTIAL
 THE INFORMATION CONTAINED IN THIS DRAWING IS THE SOLE PROPERTY OF PIONEER PUMP, INC. ANY REPRODUCTION IN PART OR AS A WHOLE WITHOUT THE WRITTEN PERMISSION OF PIONEER PUMP, INC. IS PROHIBITED.

