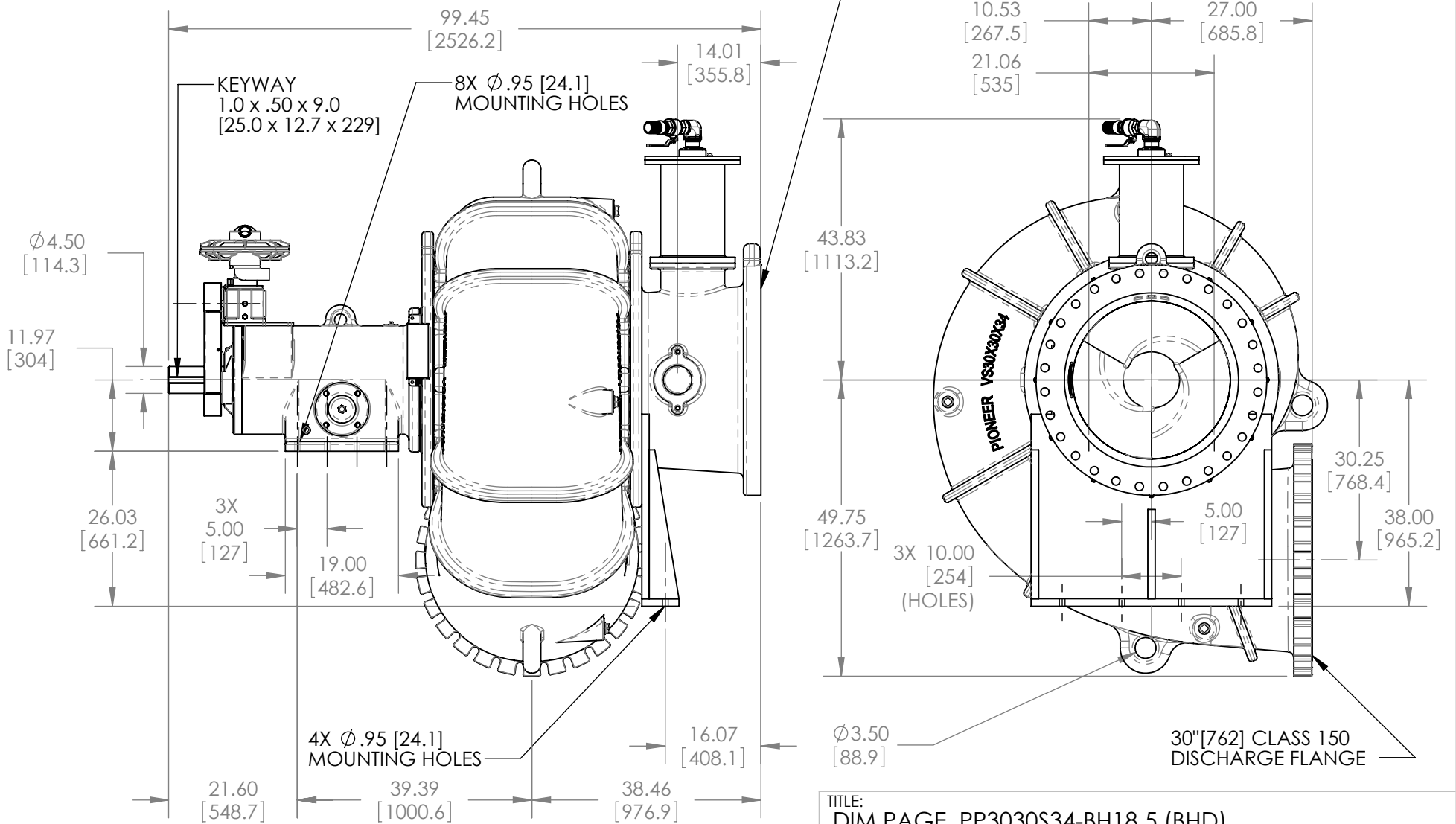


NOTES:

- PIONEER PUMP PART NUMBER IN ().
- CAPSCREWS NOT LISTED, USE GRADE 5 MATERIAL.

FITS 30"[762] CLASS 150
SUCTION FLANGE



TITLE:
DIM PAGE, PP3030S34-BH18.5 (BHD)

PROPRIETARY AND CONFIDENTIAL
THE INFORMATION CONTAINED IN THIS DRAWING IS THE SOLE PROPERTY OF PIONEER PUMP, INC. ANY REPRODUCTION IN PART OR AS A WHOLE WITHOUT THE WRITTEN PERMISSION OF PIONEER PUMP, INC. IS PROHIBITED.



WEIGHT:	NAME	DATE	SIZE	DWG. NO.	REV.
	TKJ	11/1/2011	A	10009A	-.002
CHECKED BY	XXX	X/X/XXXX	SCALE: 1:2	DO NOT SCALE DRAWING	SHEET 1 OF 1

5

4

3

2

1