

Pioneer Prime

PP54C75L71



Typical Pump Configuration

Performance

Pioneer Prime series - vacuum assisted, end suction centrifugal pump

Bare shaft, frame mounted, fully automatic dry priming, vacuum assisted, run dry, heavy duty pump

Size	5" x 4" 125 x 100 mm
Flow, Max	1,300 USgpm 300 m ³ /h 80 l/s
Head, Max	250 feet 80 meters
Flow at BEP	850 USgpm 200 m ³ /h 50 l/s
Efficiency at BEP	82%
Solids Handling, Max	0.5" 13 mm
Operating Speed, Max	3575 rpm
Suction Connection	5" (125 mm) 150 ANSI Flanges
Delivery Connection	4" (100 mm) 150 ANSI Flanges
Bearing Lubrication	Oil STD Grease optional
Fasteners	Imperial

Applications

Oil & Gas	Construction
Industrial	Mining
Petrochemical	Rental
Agriculture	Irrigation

High flow, heavy duty pump

The PP54C75 is a high flow, ruggedized pump designed to run over a broad range of performance and deliver outstanding suction lift. The rugged construction and modular design provide proven reliability and flexibility in the most demanding applications.

UltraPrime™ Priming System

Priming System	Mechanically Driven Diaphragm Style Vacuum Pump
Air Removal Capability	50 CFM
Priming Chamber	Single chamber with positive sealing air separation PosiValve™ with stainless steel float ball & linkage.
Discharge Check Valve	Swing Style - ductile iron with Buna-n Disc Valve

Other Specifications

Mechanical Seal	Single seal w/ tungsten carbide vs. silicon carbide seal faces, Viton® elastomers, 300 series stainless steel hardware and spring, designed for indefinite dry running
Pump End Bearing	Single Row Ball
Drive End Bearing	Single Row Ball
Shaft	17-4 PH Stainless Steel

Construction Materials

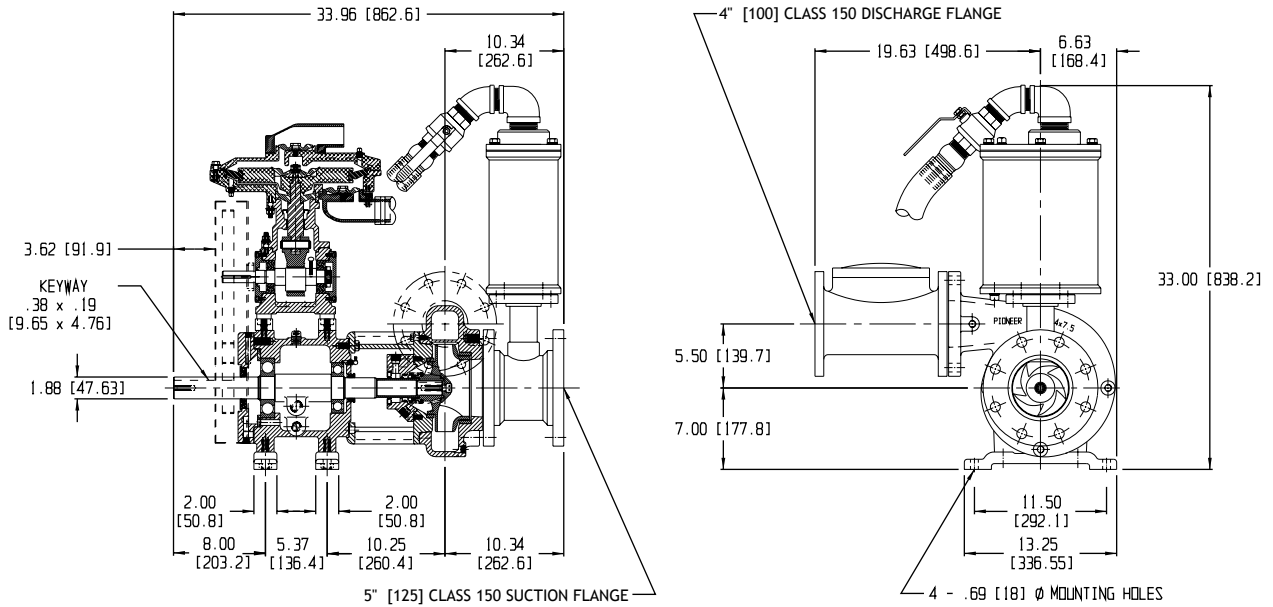
	Standard Construction	CD4MCu Stainless Steel
Impeller	CA6NM SS	CD4MCu
Volute	Ductile Iron ASTM A536 65-45-12	CD4MCu
Wear Ring	ASTM A48 Class 40 Gray Iron	316 SS
Suction Cover	Ductile Iron ASTM A536 65-45-12	CD4MCu
Brac-plate	Ductile Iron ASTM A536 65-45-12	CD4MCu

Mechanical Dimensions



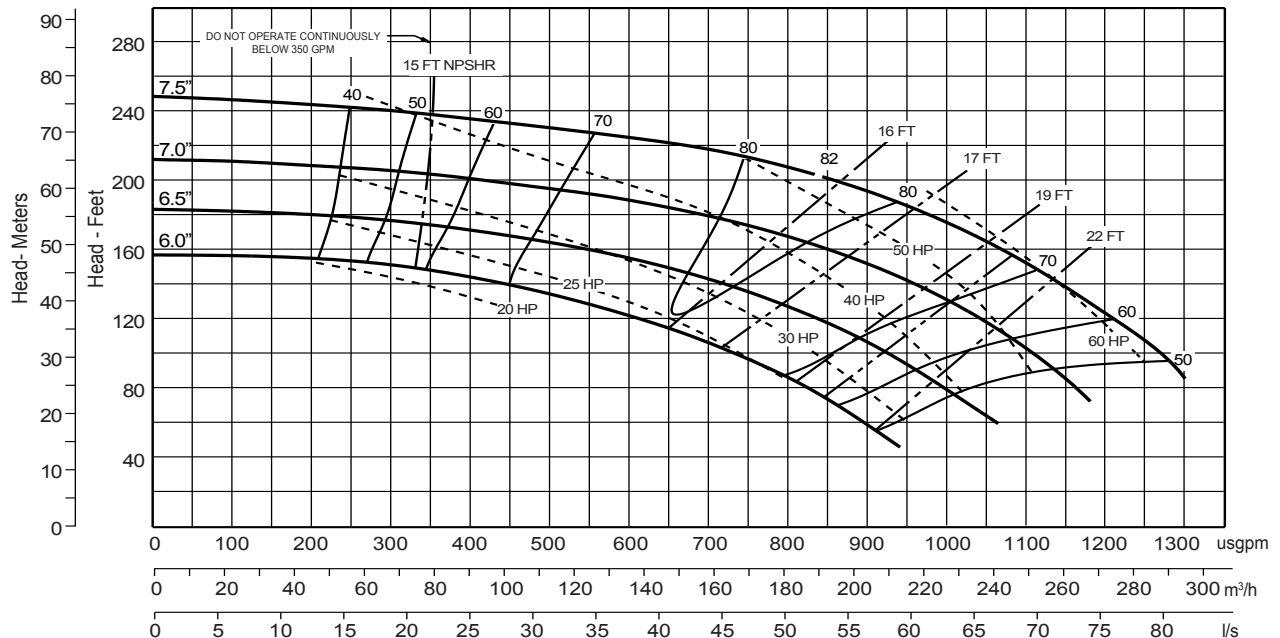
Typical Pump Configuration

PP54C75



Performance Curve

Model: PP54C75	Impeller Dia: 7.5"	Speed: 3575 RPM	Solids Size: 0.5"	Curve #A1641HQ
----------------	--------------------	-----------------	-------------------	----------------



Note: Losses from priming system not shown

Corporate +1 (503) 266-4115 ■ EMEA +44 (0)1449 736777 ■ South Africa +27 (0) 118240085 ■ Australia +61 3 9988 1650

www.pioneerpump.com