

Standard Centrifugal

## SC1010C14L71



Typical Pump Configuration

### Performance

#### End suction standard centrifugal pump

Bare shaft, frame mounted, heavy duty pump

Size	10" x 10" 250 x 250 mm
Flow, Max	6,500 USgpm 1500 m <sup>3</sup> /h 410 l/s
Head, Max	270 feet 80 meters
Flow at BEP	5,250 USgpm 1210 m <sup>3</sup> /h 330 l/s
Efficiency at BEP	84%
Solids Handling, Max	1.3" 33 mm
Operating Speed, Max	2000 rpm
Suction Connection	10" (250 mm) 150 ANSI Flanges
Delivery Connection	10" (250 mm) 150 ANSI Flanges
Bearing Lubrication	Oil STD Grease optional
Fasteners	Imperial

### Applications

Oil & Gas	Construction
Industrial	Mining
Petrochemical	Rental
Agriculture	Irrigation

### High flow, heavy duty pump

The SC1010C14 is a high flow, ruggedized pump designed to run over a broad range of performance and deliver outstanding suction lift. The rugged construction and modular design provide proven reliability and flexibility in the most demanding applications.

### Optional Priming System

Priming System	Mechanically Driven Diaphragm Style Vacuum Pump
Air Removal Capability	50 CFM
Priming Chamber	Single chamber with positive sealing air separation PosiValve™ with stainless steel float ball & linkage.
Discharge Check Valve	Swing Style - ductile iron with Buna-n Disc Valve

### Other Specifications

Mechanical Seal	Single Type Seal w/ Tungsten Carbide vs. Silicon Carbide Seal Faces, Viton Elastomers, 300 Series Stainless Steel Hardware and Spring (Run Dry Option Available).
Pump End Bearing	Single row ball
Drive End Bearing	Double Row Angular Contact
Shaft	17-4 PH Stainless Steel

### Construction Materials

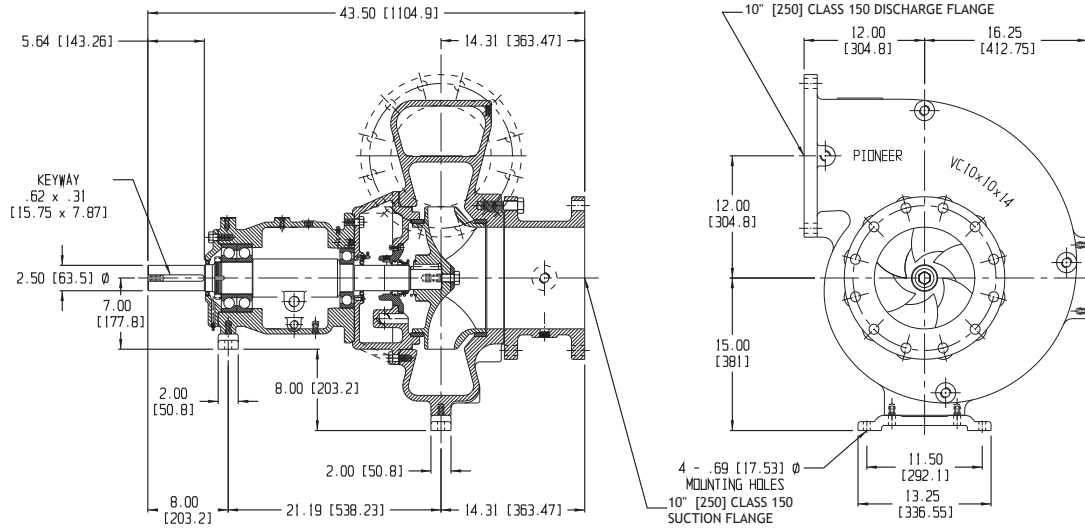
	Standard Construction	CD4MCu Stainless Steel
Impeller	CA6NM SS	CD4MCu
Volute	Ductile Iron ASTM A536 65-45-12	CD4MCu
Wear Ring	ASTM A48 Class 40 Gray Iron	316 SS
Suction Cover	Ductile Iron ASTM A536 65-45-12	CD4MCu
Brac-plate	Ductile Iron ASTM A536 65-45-12	CD4MCu

# Mechanical Dimensions



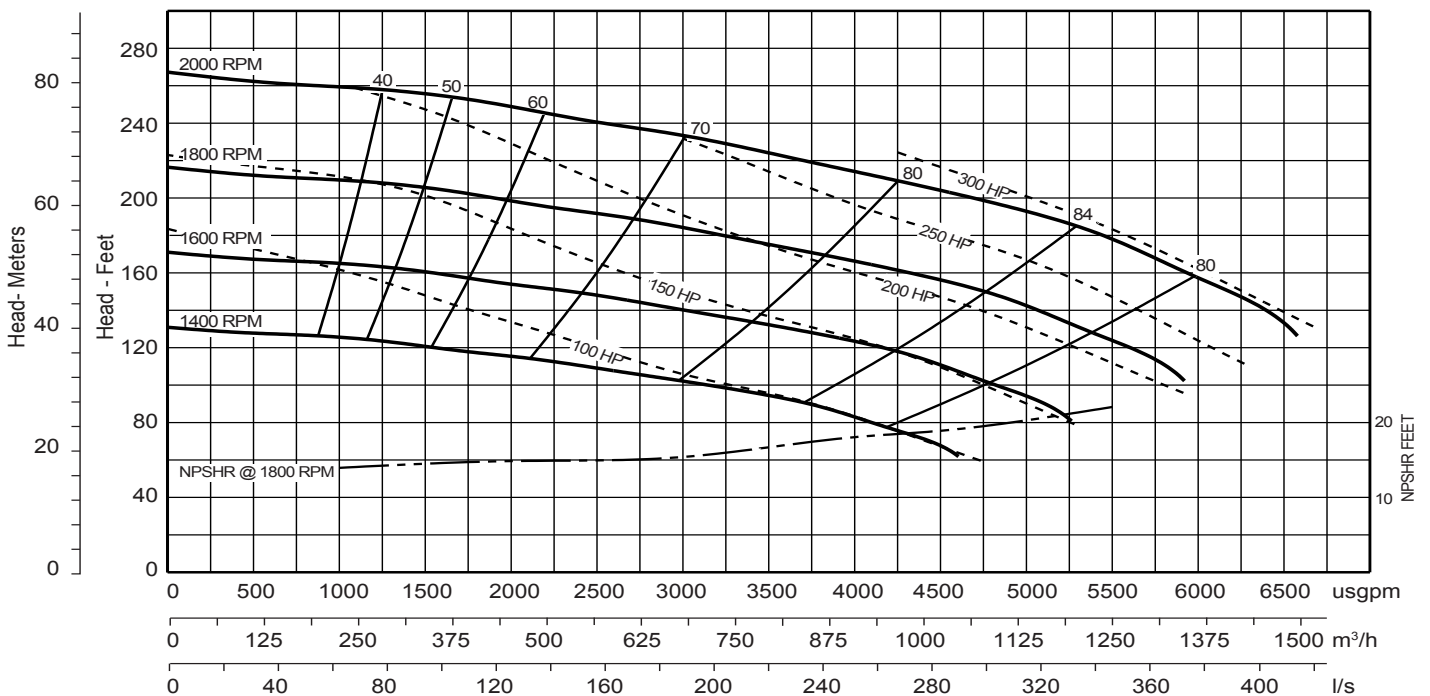
Typical Pump Configuration

## SC1010C14



# Performance Curve

Model: SC1010C14	Impeller Dia: 14"	Speed: Variable	Solids Size: 1.3"	Curve #A4803HQ
------------------	-------------------	-----------------	-------------------	----------------



Corporate +1 (503) 266-4115 ■ EMEA +44 (0)1449 736777 ■ South Africa +27 (0) 118240085 ■ Australia +61 3 9988 1650

[www.pioneerpump.com](http://www.pioneerpump.com)