



Typical Pump Configuration

Standard Centrifugal

SC3030S34L71

Performance

End suction standard centrifugal pump

Bare shaft, frame mounted, heavy duty, solids handling pump

Size	30" x 30" 760 x 760 mm
Flow, Max	44,000 USgpm 10000 m ³ /h 2780 l/s
Head, Max	120 feet 40 meters
Flow at BEP	30,000 USgpm 6900 m ³ /h 1890 l/s
Efficiency at BEP	82%
Solids Handling, Max	5.9" 150 mm
Operating Speed, Max	600 rpm
Suction Connection	30" (760 mm) 150 ANSI Flanges
Delivery Connection	30" (760 mm) 150 ANSI Flanges
Bearing Lubrication	Oil STD Grease optional
Fasteners	Metric

Applications

Construction	Mining
Waste Water	Environmental
Industrial	Power Generation

High flow, solids handling, heavy duty pump

The SC3030S34 is a high flow, ruggedized pump designed to run over a broad range of performance and deliver outstanding suction lift. The optional 27% Chrome Iron construction will carry slurries and abrasive materials with minimal degradation, reducing maintenance costs over the life of the pump.

Optional Priming System

Priming System	Mechanically Driven Diaphragm Style Vacuum Pump
Air Removal Capability	100 CFM
Priming Chamber	Single chamber with positive sealing air separation PosiValve™ with stainless steel float ball & linkage.
Discharge Check Valve	Swing Style - ductile iron with Buna-n Disc

Other Specifications

Mechanical Seal	Single Type Seal w/ Tungsten Carbide vs. Silicon Carbide Seal Faces, Viton Elastomers, 300 Series Stainless Steel Hardware and Spring (Run Dry Option Available).
Pump End Bearing	Single row ball
Drive End Bearing	Double Row Angular Contact
Shaft	17-4 PH Stainless Steel

Construction Materials Options

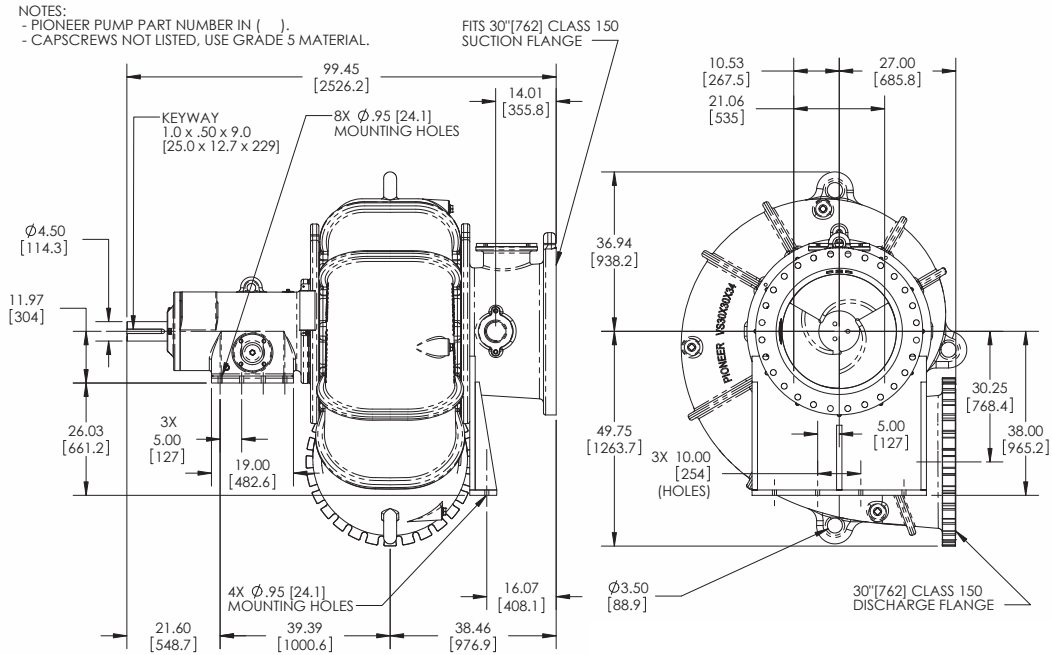
	Standard Construction	Optional Constructions	
Impeller	CA6NM SS	CD4MCu	Hardened Metals
Volute	Ductile Iron ASTM A536 65-45-12	CD4MCu	Available
Wear Ring	ASTM A48 Class 40 Gray Iron	316 SS	Available
Suction Cover	Ductile Iron ASTM A536 65-45-12	CD4MCu	Available
Bracket	Ductile Iron ASTM A536 65-45-12	CD4MCu	Available
Backplate	Ductile Iron ASTM A536 65-45-12	CD4MCu	Available

Mechanical Dimensions



Typical Pump Configuration

SC3030S34



Performance Curve

Model: SC3030S34	Impeller Dia: 34.25"	Speed: Variable	Solids Size: 5.9"	Curve #A12404HQ
------------------	----------------------	-----------------	-------------------	-----------------

