



Typical Pump Configuration

Standard Centrifugal

SC1414S17L72

Performance

End suction standard centrifugal pump

Bare shaft, frame mounted, heavy duty, solids handling pump

Size	14" x 14" 350 x 350 mm
Flow, Max	14,200 USgpm 3270 m ³ /h 900 l/s
Head, Max	210 feet 60 meters
Flow at BEP	8,750 USgpm 2010 m ³ /h 550 l/s
Efficiency at BEP	78%
Solids Handling, Max	4.0" 102 mm
Operating Speed, Max	1450 rpm
Suction Connection	14" (350 mm) 150 ANSI Flanges
Delivery Connection	14" (350 mm) 150 ANSI Flanges
Bearing Lubrication	Oil STD Grease optional
Fasteners	Imperial

Applications

Dirty water	Raw water pumps
Sewage bypass	Flood pumps
Silt returns	Mine dewatering
Cooling pumps	

High flow, heavy duty, solids handling pump

Designed to run over a broad range of performance while delivering outstanding suction lift, the SC1414S17 is the solid choice. The rugged construction and oversized shaft provide proven reliability in the most demanding applications.

The optional 27% Chrome Iron construction will carry slurries and abrasive materials with minimal degradation, reducing maintenance costs over the life of the pump.

Optional Priming System

Priming System	Mechanically Driven Diaphragm Style Vacuum Pump
Air Removal Capability	50 CFM
Priming Chamber	Single chamber with positive sealing air separation PosiValve™ with stainless steel float ball & linkage.
Discharge Check Valve	Swing Style - ductile iron with Buna-n Disc

Other Specifications

Mechanical Seal	Single Type Seal w/ Tungsten Carbide vs. Silicon Carbide Seal Faces, Viton Elastomers, 300 Series Stainless Steel Hardware and Spring (Run Dry Option Available).
Pump End Bearing	Single row ball
Drive End Bearing	Double Row Angular Contact
Shaft	17-4 PH Stainless Steel

Construction Materials

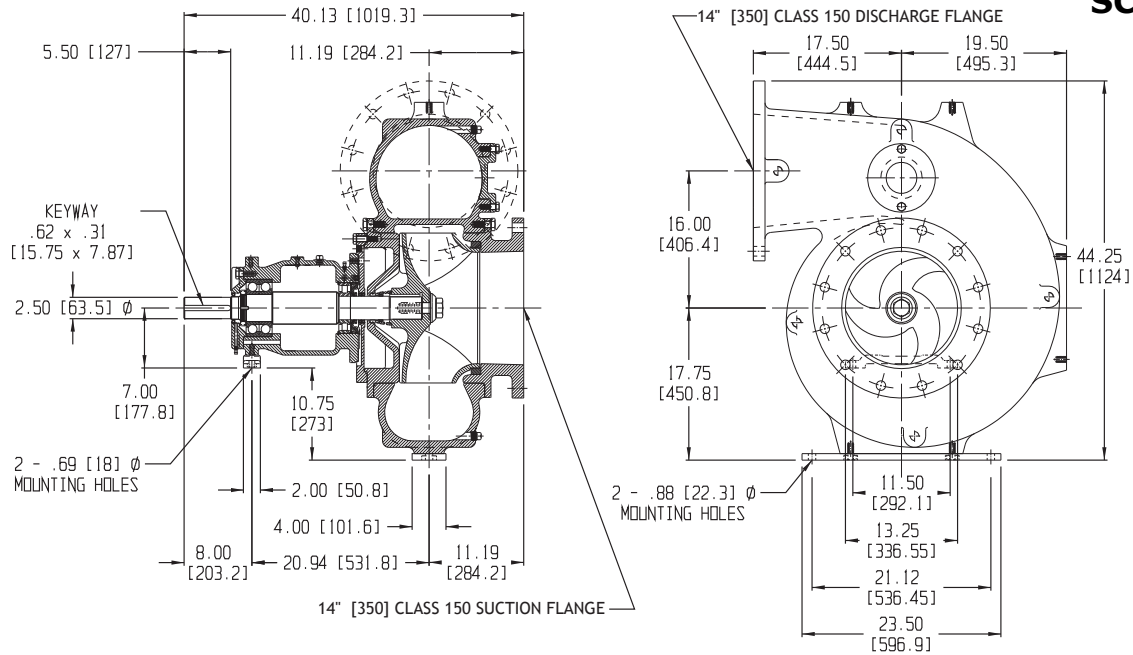
	Standard Construction	CD4MCu Stainless Steel
Impeller	Ductile Iron	CD4MCu
Volute	Ductile Iron ASTM A536 65-45-12	CD4MCu
Wear Ring	ASTM A48 Class 40 Gray Iron	316 SS
Suction Cover	Ductile Iron ASTM A536 65-45-12	CD4MCu
Bracket	Ductile Iron ASTM A536 65-45-12	CD4MCu
Backplate	Ductile Iron ASTM A536 65-45-12	CD4MCu

Mechanical Dimensions



Typical Pump Configuration

SC1414S17



Performance Curve

Model: SC1414S17	Impeller Dia: 17.5"	Speed: Variable	Solids Size: 4.0"	Curve #A5048HQ
------------------	---------------------	-----------------	-------------------	----------------

