



Typical Pump Configuration

Standard Centrifugal

SC128S22L71

Performance

End suction standard centrifugal pump

Bare shaft, frame mounted, heavy duty, solids handling pump

Size	12" x 8" 300 x 200 mm
Flow, Max	12,000 USgpm 2760 m ³ /h 760 l/s
Head, Max	720 feet 220 meters
Flow at BEP	8,000 USgpm 1800 m ³ /h 500 l/s
Efficiency at BEP	82%
Solids Handling, Max	3.0" 76 mm
Operating Speed, Max	2100 rpm
Suction Connection	12" (300 mm) 150 ANSI Flanges
Delivery Connection	8" (200 mm) 150 ANSI Flanges
Bearing Lubrication	Oil STD Grease optional
Fasteners	Imperial

Applications

Construction	Mining
Waste Water	Environmental
Industrial	Power Generation

High flow, solids handling, heavy duty pump

The SC128S22 is a high head pump designed to be cast in hard materials, as needed for the mine dewatering industry. It is a double volute design with minimal radial loading. With an 82% efficiency at BEP, the SC128S22 provides excellent performance, particularly for a pump running at these speeds, making it ideal pump for deep pit dewatering and water transfer.

Optional Priming System

Priming System	Mechanically Driven Diaphragm Style Vacuum Pump
Air Removal Capability	50 CFM
Priming Chamber	Single chamber with positive sealing air separation PosiValve™ with stainless steel float ball & linkage.
Discharge Check Valve	Swing Style - ductile iron with Buna-n Disc

Other Specifications

Mechanical Seal	Single Type Seal w/ Tungsten Carbide vs. Silicon Carbide Seal Faces, Viton Elastomers, 300 Series Stainless Steel Hardware and Spring (Run Dry Option Available).
Pump End Bearing	Single row ball
Drive End Bearing	Double Row Angular Contact
Shaft	17-4 PH Stainless Steel

Construction Materials Options

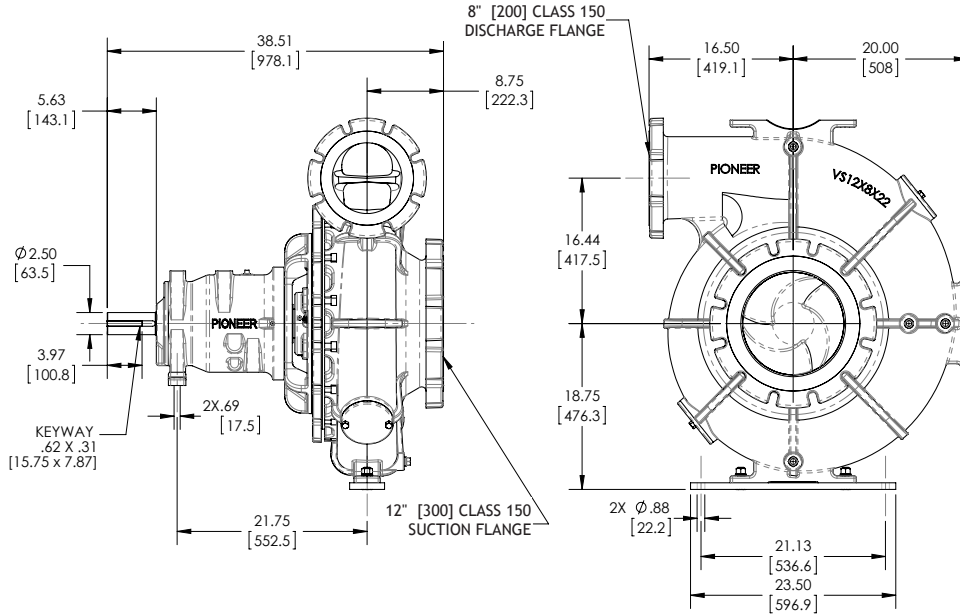
	Standard Construction	Optional Constructions	
Impeller	CA6NM SS	CD4MCu	Hardened Metals
Volute	Ductile Iron ASTM A536 65-45-12	CD4MCu	Available
Wear Ring	ASTM A48 Class 40 Gray Iron	316 SS	Available
Suction Cover	Ductile Iron ASTM A536 65-45-12	CD4MCu	Available
Bracket	Ductile Iron ASTM A536 65-45-12	CD4MCu	Available
Backplate	Ductile Iron ASTM A536 65-45-12	CD4MCu	Available

Mechanical Dimensions



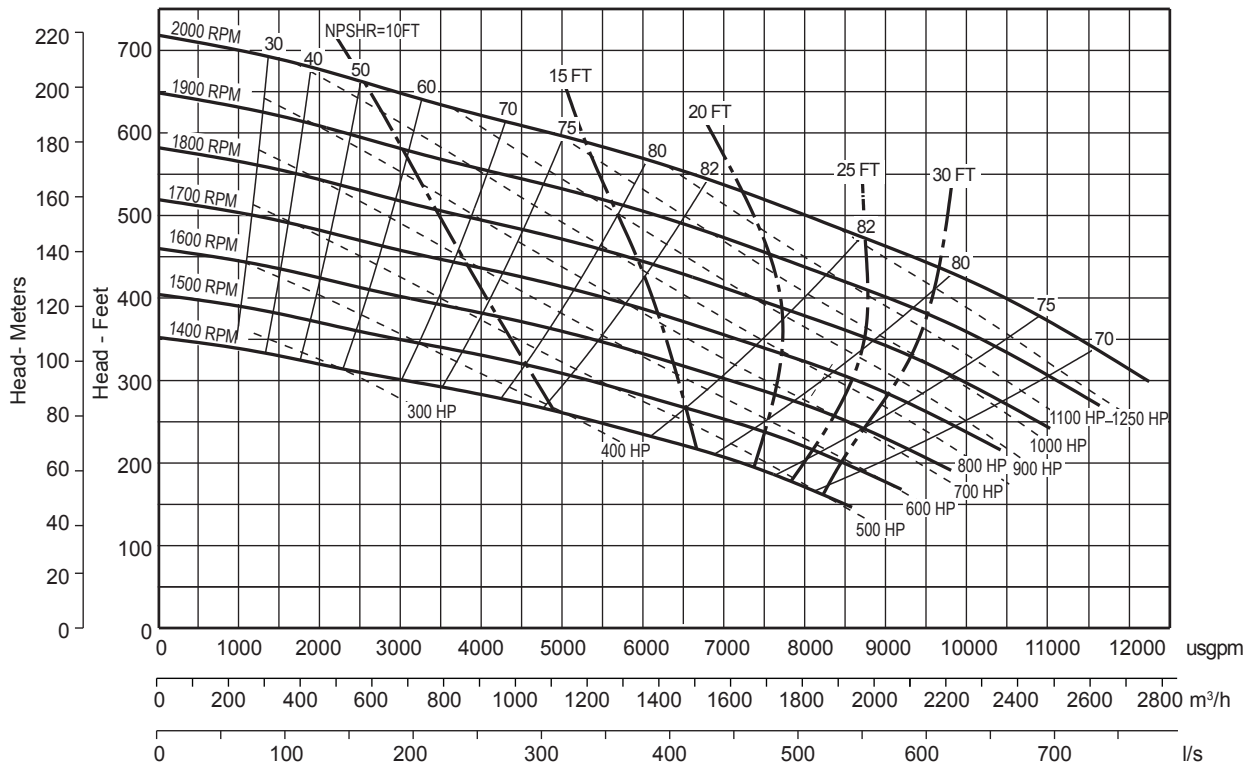
Typical Pump Configuration

SC128S22



Performance Curve

Model: SC128S22	Impeller Dia: 22"	Speed: Variable	Solids Size: 3.0"	Curve #13477HQ
-----------------	-------------------	-----------------	-------------------	----------------



Corporate +1 (503) 266-4115 ■ EMEA +44 (0)1449 736777 ■ South Africa +27 (0) 118240085 ■ Australia +61 3 9988 1650

www.pioneerpump.com