



Typical Pump Configuration

## Standard Centrifugal

# SC86S20L71

## Performance

### End suction standard centrifugal pump

Bare shaft, frame mounted, heavy duty, solids handling pump

Size	8" x 6" 200 x 150 mm
Flow, Max	4,875 USgpm 1120 m <sup>3</sup> /h 310 l/s
Head, Max	625 feet 190 meters
Flow at BEP	3,250 USgpm 750 m <sup>3</sup> /h 210 l/s
Efficiency at BEP	72%
Solids Handling, Max	3.0" 76 mm
Operating Speed, Max	2000 rpm
Suction Connection	8" (200 mm) 150 ANSI Flanges
Delivery Connection	6" (150 mm) 150 ANSI Flanges
Bearing Lubrication	Oil STD Grease optional
Fasteners	Imperial

## Applications

Construction	Mining
Waste Water	Environmental
Industrial	Power Generation

### High flow, solids handling, heavy duty pump

The SC86S20 is a high head pump designed to be cast in hard materials, as needed for the mine dewatering industry. It is a double volute design with minimal radial loading. With an 82% efficiency at BEP, the SC86S20 provides excellent performance, particularly for a pump running at these speeds, making it ideal pump for deep pit dewatering and water transfer.

## Optional Priming System

Priming System	Mechanically Driven Diaphragm Style Vacuum Pump
Air Removal Capability	50 CFM
Priming Chamber	Single chamber with positive sealing air separation PosiValve™ with stainless steel float ball & linkage.
Discharge Check Valve	Swing Style - ductile iron with Buna-n Disc

## Other Specifications

Mechanical Seal	Single Type Seal w/ Tungsten Carbide vs. Silicon Carbide Seal Faces, Viton Elastomers, 300 Series Stainless Steel Hardware and Spring (Run Dry Option Available).
Pump End Bearing	Single row ball
Drive End Bearing	Double Row Angular Contact
Shaft	17-4 PH Stainless Steel

## Construction Materials Options

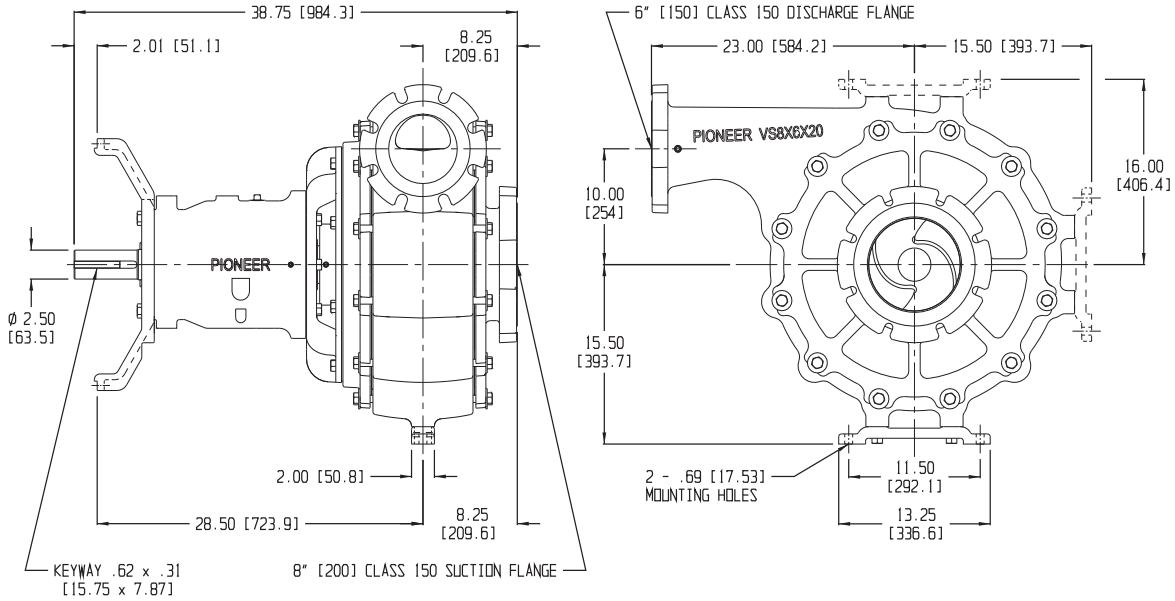
	Standard Construction	Optional Constructions	
Impeller	CA6NM SS	CD4MCu	Hardened Metals
Volute	Ductile Iron ASTM A536 65-45-12	CD4MCu	Available
Wear Ring	ASTM A48 Class 40 Gray Iron	316 SS	Available
Suction Cover	Ductile Iron ASTM A536 65-45-12	CD4MCu	Available
Bracket	Ductile Iron ASTM A536 65-45-12	CD4MCu	Available
Backplate	Ductile Iron ASTM A536 65-45-12	CD4MCu	Available

# Mechanical Dimensions



Typical Pump Configuration

**SC86S20**



# Performance Curve

Model: SC86S20	Impeller Dia: 20"	Speed: Variable	Solids Size: 3.0"	Curve #12181HQ
----------------	-------------------	-----------------	-------------------	----------------

