

Standard Centrifugal

SC66S10L71



Typical Pump Configuration

Performance

End suction standard centrifugal pump

Bare shaft, frame mounted, heavy duty, solids handling pump

| | |
|----------------------|---|
| Size | 6" x 6" 150 x 150 mm |
| Flow, Max | 2,900 USgpm 670 m ³ /h 180 l/s |
| Head, Max | 150 feet 50 meters |
| Flow at BEP | 2,300 USgpm 530 m ³ /h 150 l/s |
| Efficiency at BEP | 80% |
| Solids Handling, Max | 3.0" 76 mm |
| Operating Speed, Max | 2200 rpm |
| Suction Connection | 6" (150 mm) 150 ANSI Flanges |
| Delivery Connection | 6" (150 mm) 150 ANSI Flanges |
| Bearing Lubrication | Oil STD Grease optional |
| Fasteners | Imperial |

Applications

| | |
|--------------|------------------|
| Construction | Waste Water |
| Industrial | Power Generation |
| Mining | Environmental |

High flow, solids handling heavy duty pump

The SC66S10 is a high flow, ruggedized pump designed to operate over a broad range of performance while delivering outstanding suction lift. The rugged construction and modular design provide proven reliability and flexibility in the most demanding applications.

Optional Priming System

| | |
|------------------------|---|
| Priming System | Mechanically Driven Diaphragm Style Vacuum Pump |
| Air Removal Capability | 50 CFM |
| Priming Chamber | Single chamber with positive sealing air separation PosiValve™ with stainless steel float ball & linkage. |
| Discharge Check Valve | Swing Style - ductile iron with Buna-n Disc |

Other Specifications

| | |
|-------------------|---|
| Mechanical Seal | Single Type Seal w/ Tungsten Carbide vs. Silicon Carbide Seal Faces, Viton Elastomers, 300 Series Stainless Steel Hardware and Spring (Run Dry Option Available). |
| Pump End Bearing | Single row ball |
| Drive End Bearing | Double Row Angular Contact |
| Shaft | 17-4 PH Stainless Steel |

Construction Materials

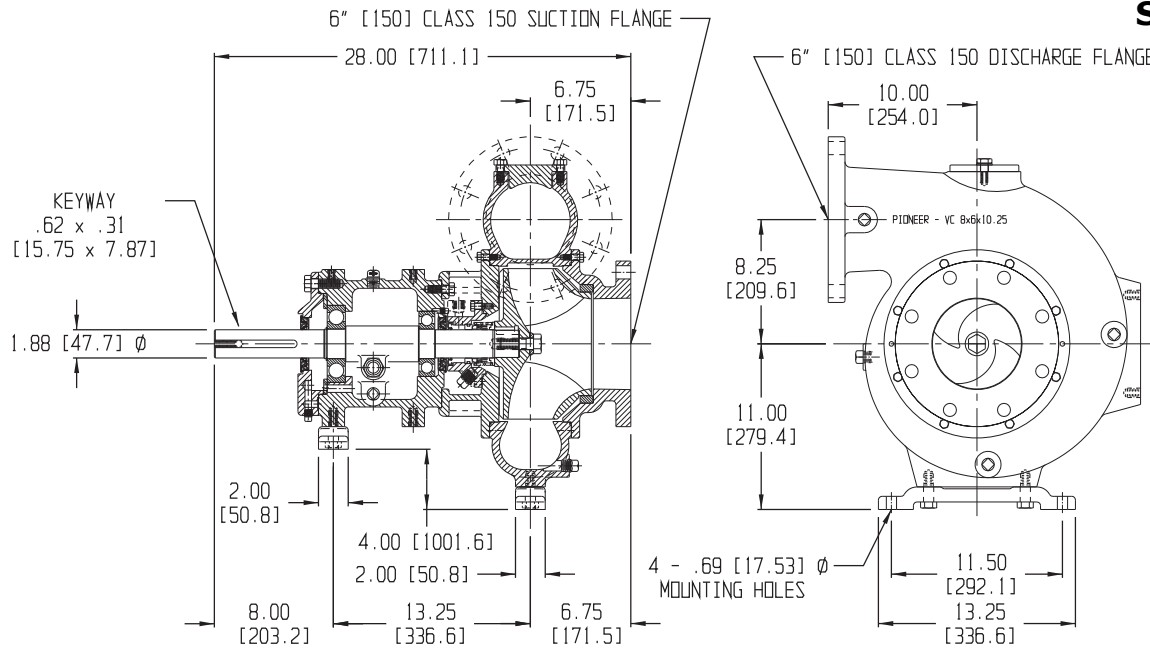
| | Standard Construction | CD4MCu Stainless Steel |
|---------------|---------------------------------|------------------------|
| Impeller | CA6NM SS | CD4MCu |
| Volute | Ductile Iron ASTM A536 65-45-12 | CD4MCu |
| Wear Ring | ASTM A48 Class 40 Gray Iron | 316 SS |
| Suction Cover | Ductile Iron ASTM A536 65-45-12 | CD4MCu |
| Brac-plate | Ductile Iron ASTM A536 65-45-12 | CD4MCu |

Mechanical Dimensions



Typical Pump Configuration

SC66S10



Performance Curve

| | | | | |
|----------------|-------------------|-----------------|-------------------|----------------|
| Model: SC66S10 | Impeller Dia: 10" | Speed: Variable | Solids Size: 3.0" | Curve #A7488HQ |
|----------------|-------------------|-----------------|-------------------|----------------|

